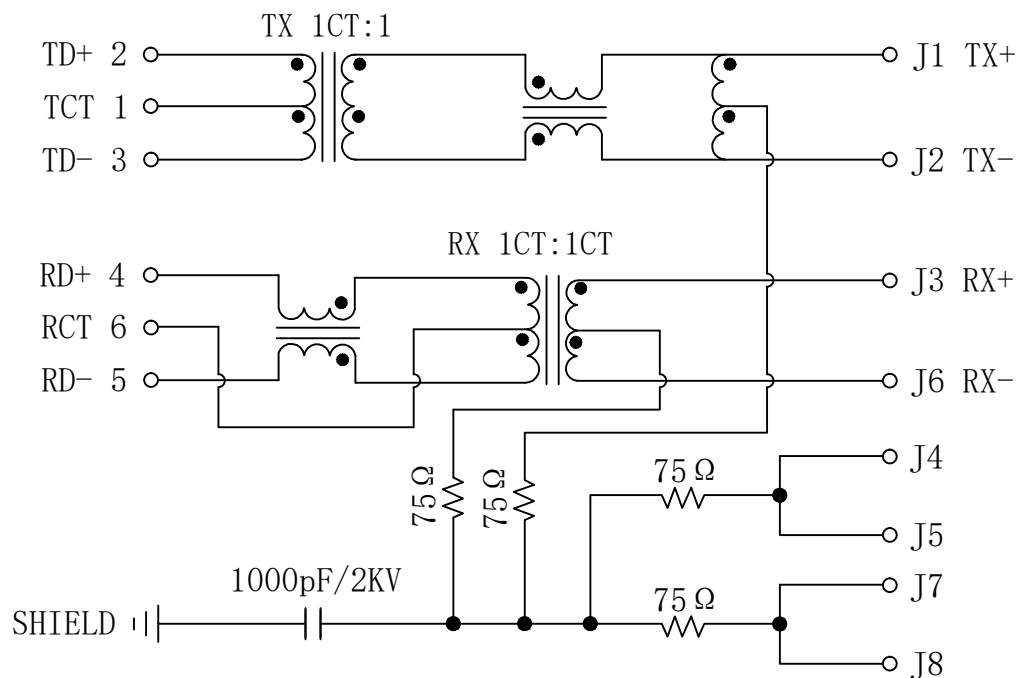


Schematic:

| REV. | ECN NO. | DESCRIPTION | DATE | APPD |
|------|---------|-------------|------------|------|
| A | REL | | 04/11/2008 | |

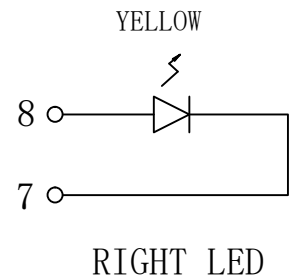
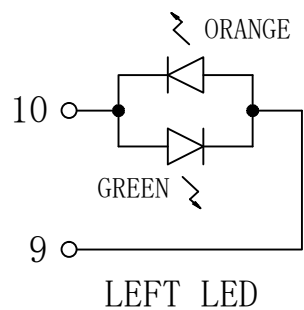
PC BOARD CONNECTIONS



RJ45 CONNECTOR

ELECTRICAL SPECIFICATIONS @25°C

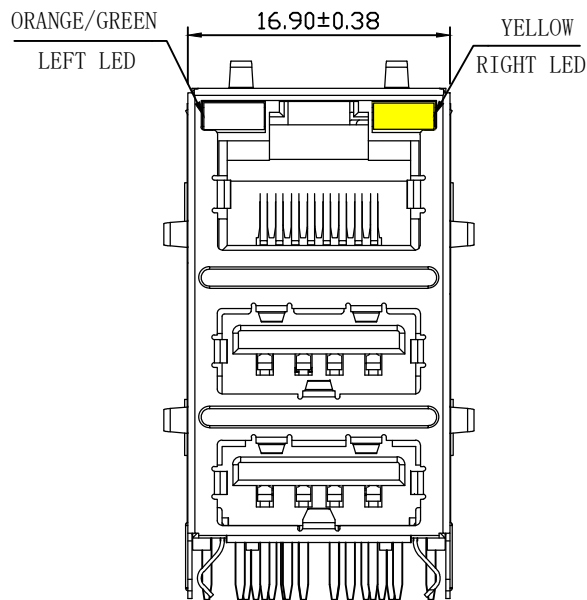
- Turn Ratio($\pm 2\%$):
TX=1CT:1 RX=1CT:1CT
- Inductance OCL:
350uH MIN@100KHz/0.1V 8mA DC Bias
- Insertion Loss:
-1.0dB MAX @ 1.0-100MHz
- Return Loss:
-18dB MIN @ 1-30MHz
-15dB MIN @ 30-60MHz
-12dB MIN @ 60-80MHz
-10dB MIN @ 80-100MHz
- Cross talk:
-35dB MIN @ 1-100MHz
- Common Mode Rejection:
-40dB MIN @ 30MHz
-35dB MIN @ 60MHz
-30dB MIN @ 100MHz
- Hipot Test:1500VAC 2Ses
- LED Lamp:
Wave Length: GREEN/YELLOW/ORANGE: 570nm/590nm/610nm
Forward Voltage(Vf):
1.8V-2.6V (Test Condition: 20mA)
- Operating Temperature Range:-40°C TO 85°C



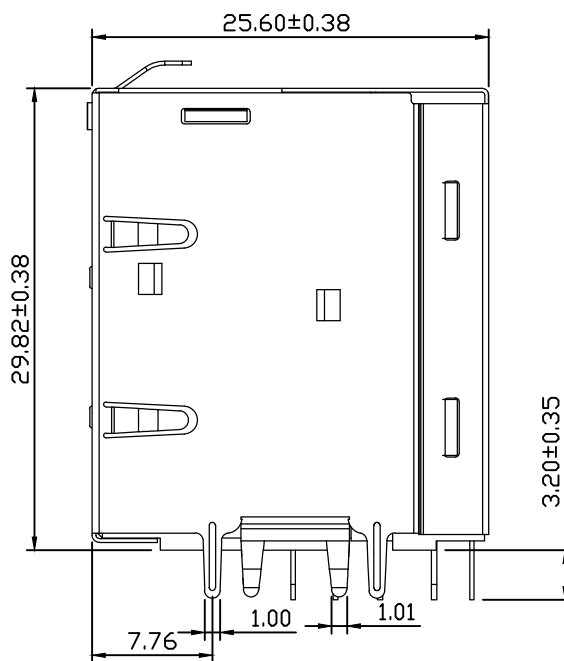
| | | | | |
|-------------|------------|------------------------------------------------|--------|----------------------|
| X:X ±0.30 | APPD: | LINK-PP INT'L TECHNOLOGY CO., LIMITED | | |
| X:XX ±0.25 | CHKD: | TITLE: RJ45 10/100 Base-TX Jack/Dual USB Combo | | |
| X:XXX ±0.05 | DR: TOM | PART NO. : LPJU4111AONL | | |
| ANGLES ±1° | UNIT: mm | | | |
| | SCALE: 2/1 | SHEET: 1/2 | REV: A | DWG NO. : LP08110435 |

Mechanical:

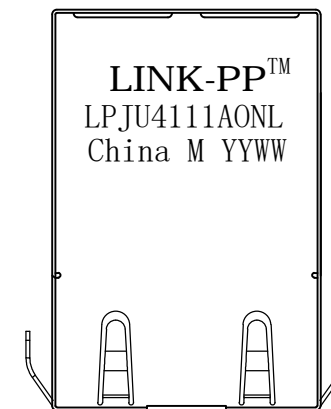
| REV. | ECN NO. | DESCRIPTION | DATE | APPD |
|------|---------|-------------|------------|------|
| A | REL | | 04/11/2008 | |



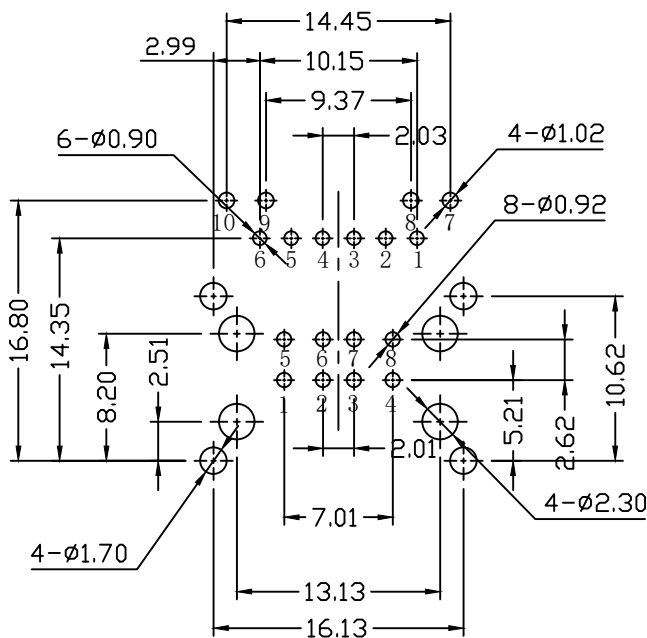
Front Side View



Left Side View



Top Side View



Suggested PCB Layout (Top View)



NOTES:

1. Designed to support application, such as SOHO (ADSL modems), LAN-on-Motherboard (LOM), hub and Switches.
2. Meets IEEE 802.3 specification
3. Connector Materials:
 Housing Material: Thermoplastic PBT+30%G.F UL94V-0
 Contact Material: Phosphor Bronze C5210R-EH Thickness=0.35mm
 Pins: Brass C2680R-H Thickness=0.25mm
 Shield: SUS S304-1/2H Thickness=0.2mm
 Contact plating: Gold 6 micro-inches min. In contact area.
 USB Contact plating: Gold Flash
4. Wave solder tip temperature: 265°C Max, 5 Sec Max

| | | |
|-------------|------------|------------------------------------------------|
| X:X ±0.30 | APPD: | LINK-PP INT'L TECHNOLOGY CO., LIMITED |
| X:XX ±0.25 | CHKD: | |
| X:XXX ±0.05 | DR: TOM | TITLE: RJ45 10/100 Base-TX Jack/Dual USB Combo |
| ANGLES ±1° | UNIT: mm | PART NO.: LPJU4111AONL |
| | SCALE: 2/1 | SHEET: 2/2 |
| | REV: A | DWG NO.: LP08110435 |