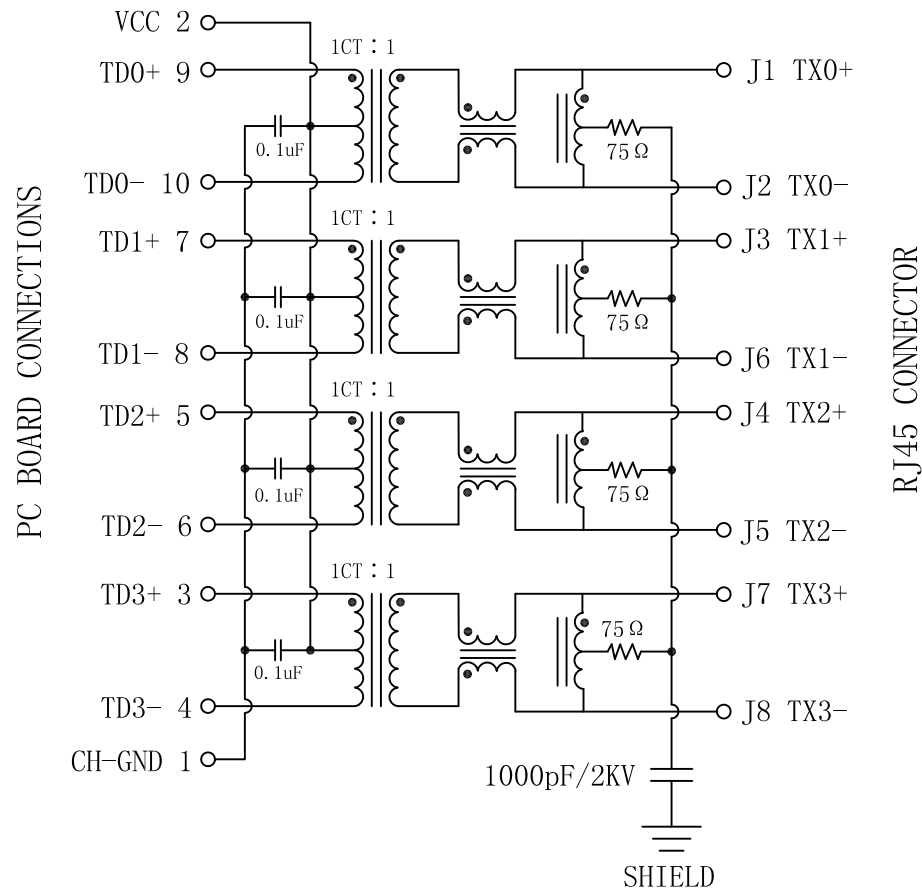


# Schematic:

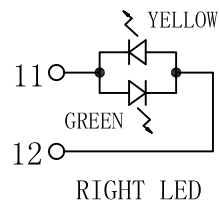
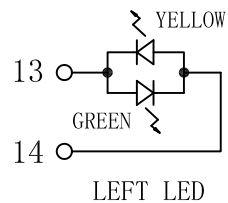
REV.	ECN NO.	DESCRIPTION	DATE	APPD
A	REL		2011/02/11	



## Electrical Specifications @25°C

1. Impedance: 100 ohms
2. OCL: 350uH Min  
@100KHz, 0.1Vrms, 8mADC BIAS
3. Turns Ratio: 1CT : 1
4. Insertion Loss:  
0.5-100MHz: -1.1dB Max
5. Return Loss(dB Min):  
0.5-40MHz: -18  
40.1-100MHz: -12-20LOG(f/50)
6. Crosstalk(dB Min):  
0.5-40MHz: -35  
40.1-100MHz: -33-20LOG(f/50)
7. Common Mode Rejection Ratio:  
0.5-100MHz: -30 dB Min
8. Isolation Voltage: 1500Vrms Min
9. Operating Temperature: -40°C ~ +85°C.

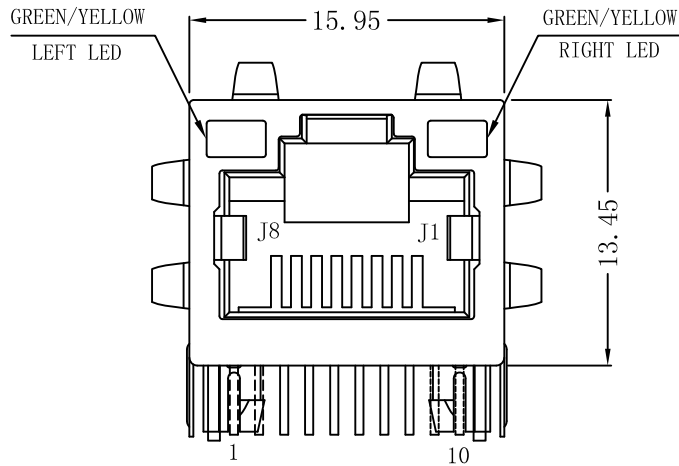
Emitting Color	$\lambda$ p(nm)	VF@IF=20mA	IR @VR=5V
GREEN	565	1.8~2.6V	10 $\mu$ A max
YELLOW	585	1.8~2.6V	10 $\mu$ A max



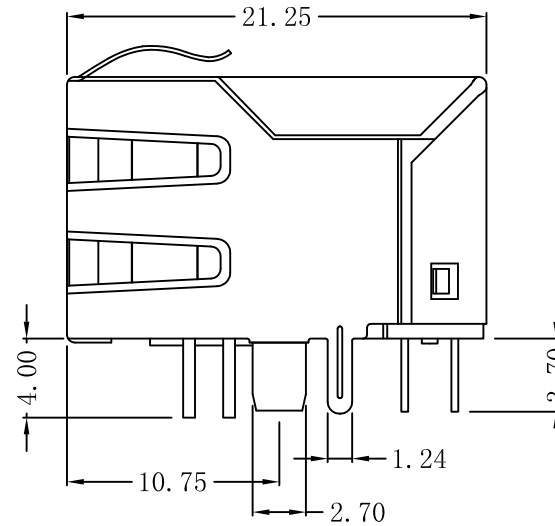
X:X	$\pm 0.30$	APPD:	LINK-PP INT'L TECHNOLOGY CO., LIMITED
X:XX	$\pm 0.25$	CHKD:	
X:XXX	$\pm 0.05$	DR: TOM	TITLE: RJ45 Connector With 1000 Base-TX Integrated Magnetic
ANGLES	$\pm 1^\circ$	UNIT: mm	PART NO.: LPJG16414A4NL
	SCALE: 2/1	SHEET: 1/2	REV: A DWG NO.: LP11021133

# Mechanical:

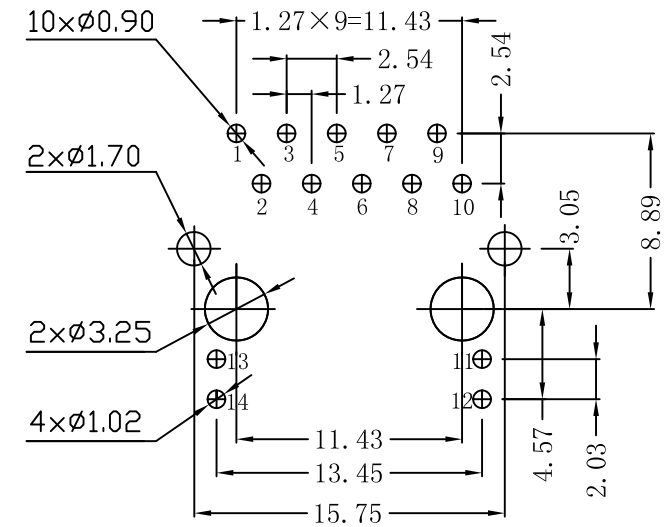
REV.	ECN NO.	DESCRIPTION	DATE	APPD
A	REL		2011/02/11	



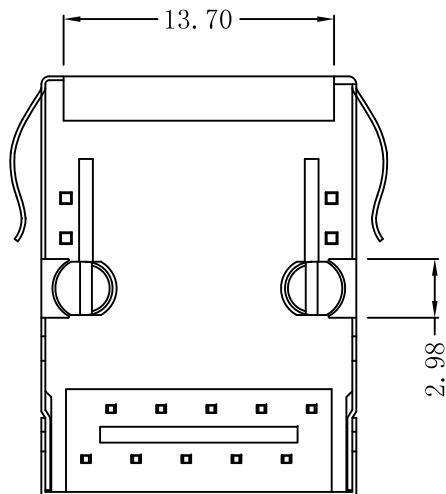
Front Side View



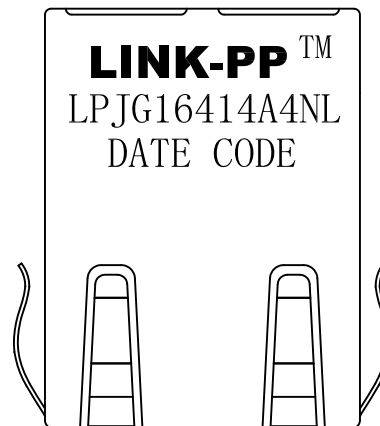
Left Side View



Suggested PCB Layout (Top View)



Bottom Side View



Top Side View

## NOTES:

1. Designed to support application, such as SOHO (ADSL modems), LAN-on-Motherboard (LOM), hub and Switches.
2. Meets IEEE 802.3 specification
3. Connector Materials:  
Housing: Thermoplastic PBT+30%G.F UL94V-0  
Contact: Phosphor Bronze C5210R-EH Thickness=0.35mm  
Pins: Brass C2680R-H Thickness=0.35mm  
Shield: SUS 201-1/2H Thickness=0.2mm  
Contact plating: Gold 6 micro-inches min. In contact area.
4. Wave solder tip temperature: 265°C Max, 5 Sec Max.

X:X	±0.30	APPD:	LINK-PP INT'L TECHNOLOGY CO., LIMITED	
X:XX	±0.25	CHKD:	TITLE: RJ45 Connector With 1000 Base-TX Integrated Magnetic	
X:XXX	±0.05	DR: TOM	PART NO.: LPJG16414A4NL	
ANGLES	±1°	UNIT: mm		
	SCALE: 2/1	SHEET: 2/2	REV: A	DWG NO.: LP11021133