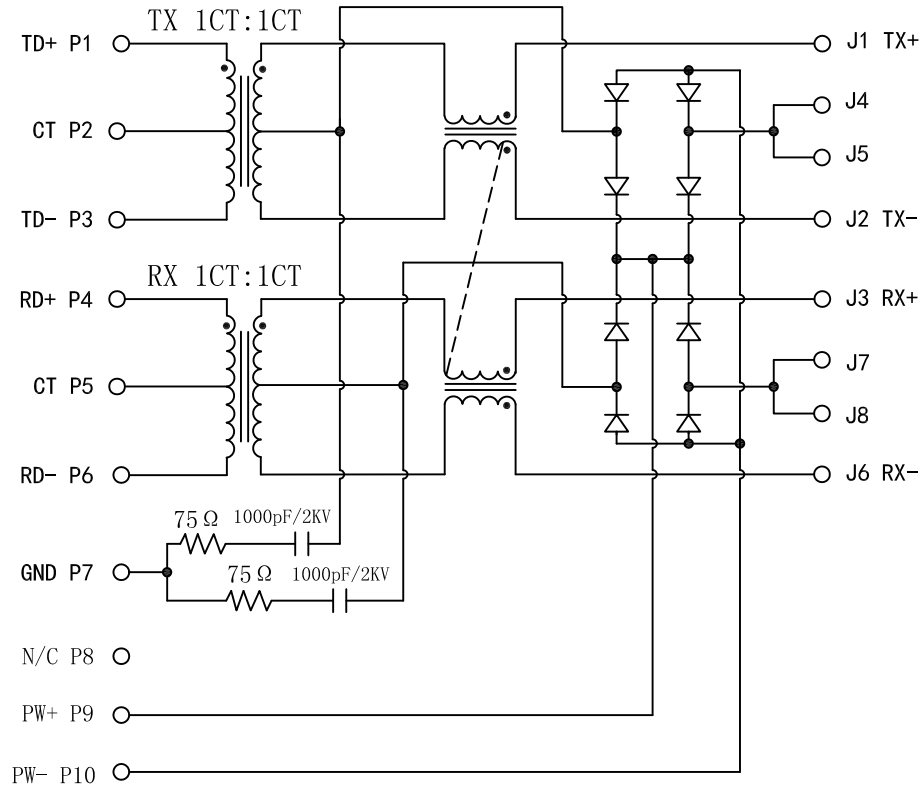


# Schematic:

REV.	ECN NO.	DESCRIPTION	DATE	APPD
A	REL		2015-01-22	

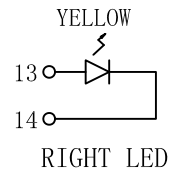
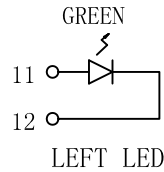
PC BOARD CONNECTIONS



RJ45 CONNECTOR

## ELECTRICAL SPECIFICATIONS @25°C

- Turn Ratio(100KHz, 0.1V):  
PINS:(1-3) : (J1-J2)=1 : 1 ±3%  
PINS:(4-6) : (J3-J6)=1 : 1 ±3%
- OCL(100KHz, 100mV, 8mA DC Bias):  
PINS:(1-3), (4-6)=350uH MIN
- Insertion Loss:  
-1.1dB MAX @ 0.1~100MHz
- Return Loss:  
-18dB MIN @ 0.5~30MHz  
-15.5dB MIN @ 40MHz  
-13.6dB MIN @ 50MHz  
-12dB MIN @ 60~80MHz
- Cross talk:  
-40dB TYP @ 0.1~100MHz
- Common Mode Rejection:  
-50dB TYP @ 0.1~30MHz  
-40dB TYP @ 30~60MHz  
-35dB TYP @ 60~100MHz
- Hipot Test: 1500Vrms
- Operating Temperature: -40°C TO +85°C.

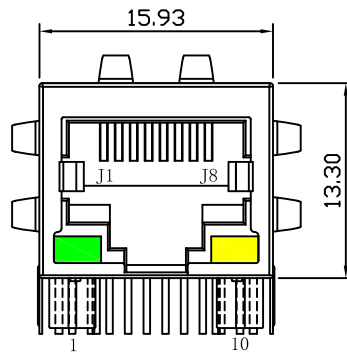


Emitting Color	$\lambda$ p(nm)	VF@IF=20mA	IR @VR=5V
GREEN	565	1.8~2.6V	10 $\mu$ A max
YELLOW	585	1.8~2.6V	10 $\mu$ A max

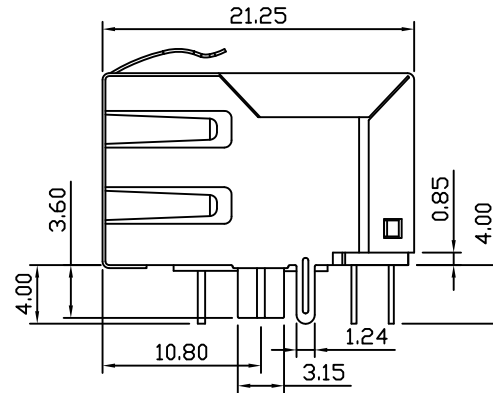
X:X	±0.30	APPD:	LINK-PP INT'L TECHNOLOGY CO., LIMITED	
X:XX	±0.25	CHKD:	TITLE: RJ45 Connector with 10/100 Base-T Integrated Magnetics For PoE Application	
X:XXX	±0.05	DR:	PART NO. : LPJ0190GENL	
ANGLES	±1°	UNIT: mm		
	SCALE: 2/1	SHEET: 1/2	REV: A	DWG NO. : LP15012216

# Mechanical:

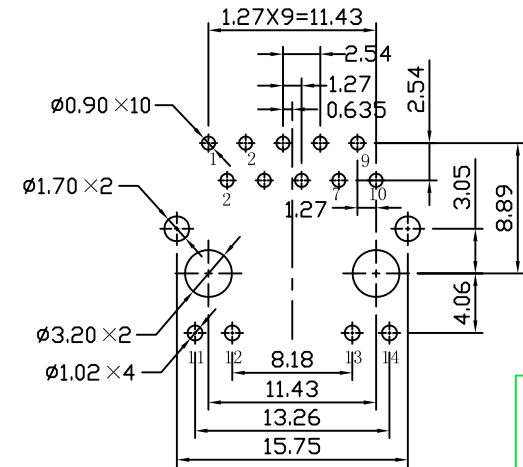
REV.	ECN NO.	DESCRIPTION	DATE	APPD
A	REL		2015-01-22	



Front Side View



Left Side View

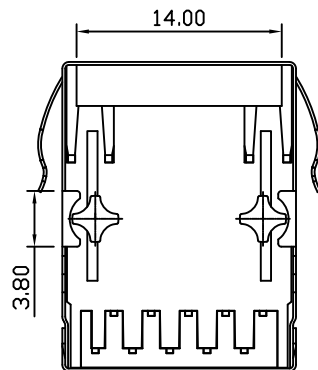


Suggested PCB Layout (Top View)

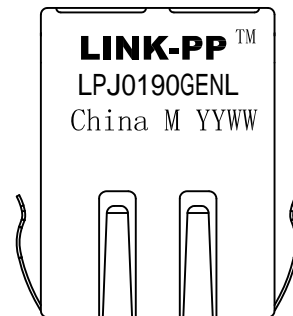


## NOTES:

1. Designed to support application, such as SOHO (ADSL modems), LAN-on-Motherboard (LOM), hub and Switches.
2. Designed for PoE, IEEE802.3af applications
3. Power on used or unused pairs for up to 350mADC.
4. Connector Materials:  
 Housing: Thermoplastic PBT+30%G.F UL94V-0  
 Contact: Phosphor Bronze C5210R-EH Thickness=0.35mm  
 Pins: Brass C2680R-H Thickness=0.35mm  
 Shield: SUS 201-1/2H Thickness=0.2mm  
 Contact plating: Gold 30 micro-inches min. In contact area.
5. Wave solder tip temperature: 265°C Max, 5 Sec Max.



Bottom Side View



Top Side View

X:X	±0.30	APPD:	LINK-PP INT'L TECHNOLOGY CO., LIMITED	
X:XX	±0.25	CHKD:	TITLE: RJ45 Connector with 10/100 Base-T Integrated Magnetics For PoE Application	
X:XXX	±0.05	DR: TOM	PART NO.:	LPJ0190GENL
ANGLES	±1°	UNIT: mm	DWG NO. : LP15012216	
	SCALE: 2/1	SHEET: 2/2	REV: A	