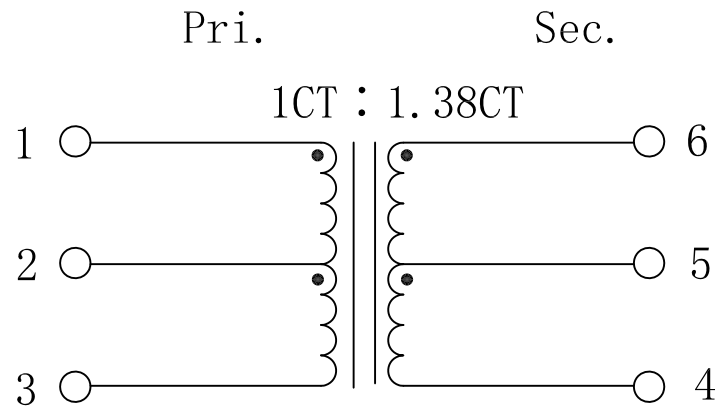


Schematic:

| REV. | ECN NO. | DESCRIPTION | DATE | APPD |
|------|---------|-------------|------------|------|
| A | REL | | 2011/01/04 | |



Electrical Specification @25°C

Primary Pins: 1-3

1. Turns Ratio:

Pins(1-3) : (6-4) = 1CT : 1.38CT ±2%

2. OCL:

1-3: 275uH MIN, @100KHz 10mVrms

3. E-T Prod(V-uS) : 9.44 Min

4. DCR: (1-3) : 0.40 Ω Max (6-4) : 0.55 Ω Max

5. Hipot: 5000Vrms 1mA 60S

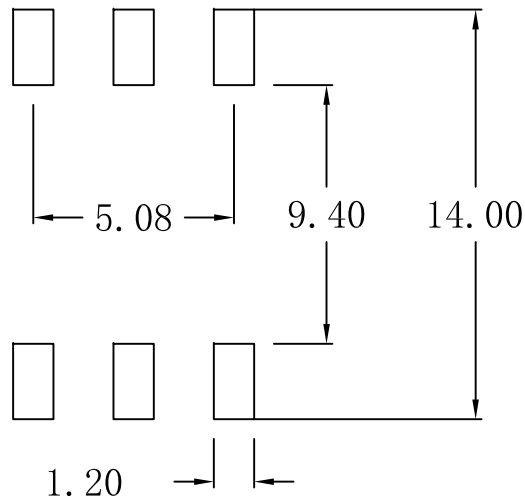
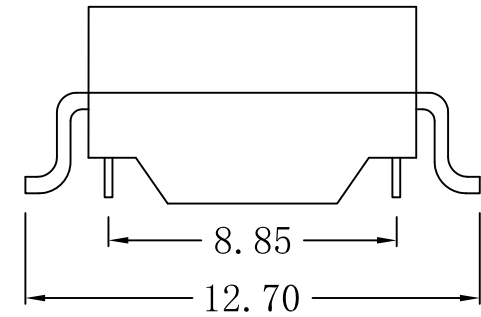
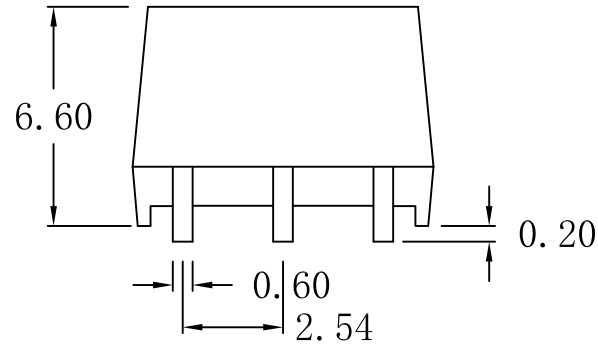
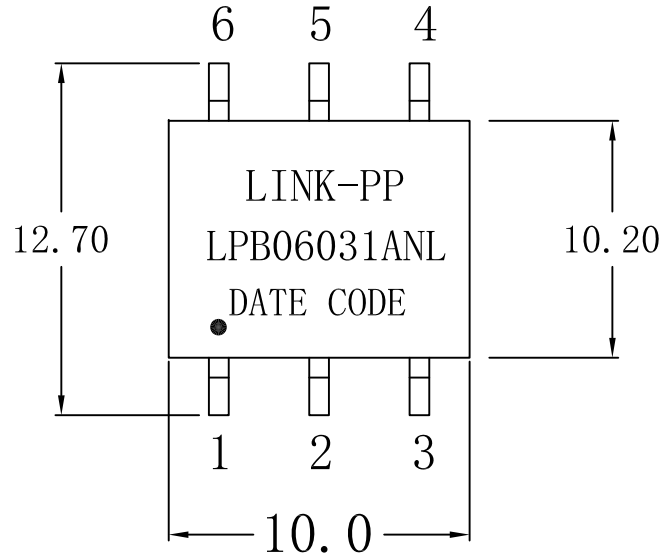
6. Operating Temperature: -40°C ~ +125°C.



| | | | | |
|--------|------------|-----------------|---------------------------------------|---------------------|
| X:X | ±0.30 | APPD: | LINK-PP INT'L TECHNOLOGY CO., LIMITED | |
| X:XX | ±0.25 | CHKD: | TITLE: TRANSFORMERS | |
| X:XXX | ±0.05 | DR: James | PART NO.: LPB06031ANL | |
| ANGLES | ±1° | UNIT: Inches/mm | | |
| | SCALE: 2/1 | SHEET: 1/2 | REV: A | DWG NO.: LP11010422 |

Mechanical:

| REV. | ECN NO. | DESCRIPTION | DATE | APPD |
|------|---------|-------------|------------|------|
| A | REL | | 2011/01/04 | |



SUGGESTED PAD LAYOUT

NOTES:

1. TRANSFORMERS .
2. Small surface mount package.
3. The part is RoHS compliant.
4. RoHS "NL" peak solder rating 245°C.
5. UL Certification: File Number E484635.



| | | | | |
|--------|------------|-----------------|---------------------------------------|--|
| X:X | ±0.30 | APPD: | LINK-PP INT'L TECHNOLOGY CO., LIMITED | |
| X:XX | ±0.25 | CHKD: | TITLE: TRANSFORMERS | |
| X:XXX | ±0.05 | DR: James | PART NO.: LPB06031ANL | |
| ANGLES | ±1° | UNIT: Inches/mm | DWG NO.: LP11010422 | |
| | SCALE: 2/1 | SHEET: 2/2 | REV: A | |