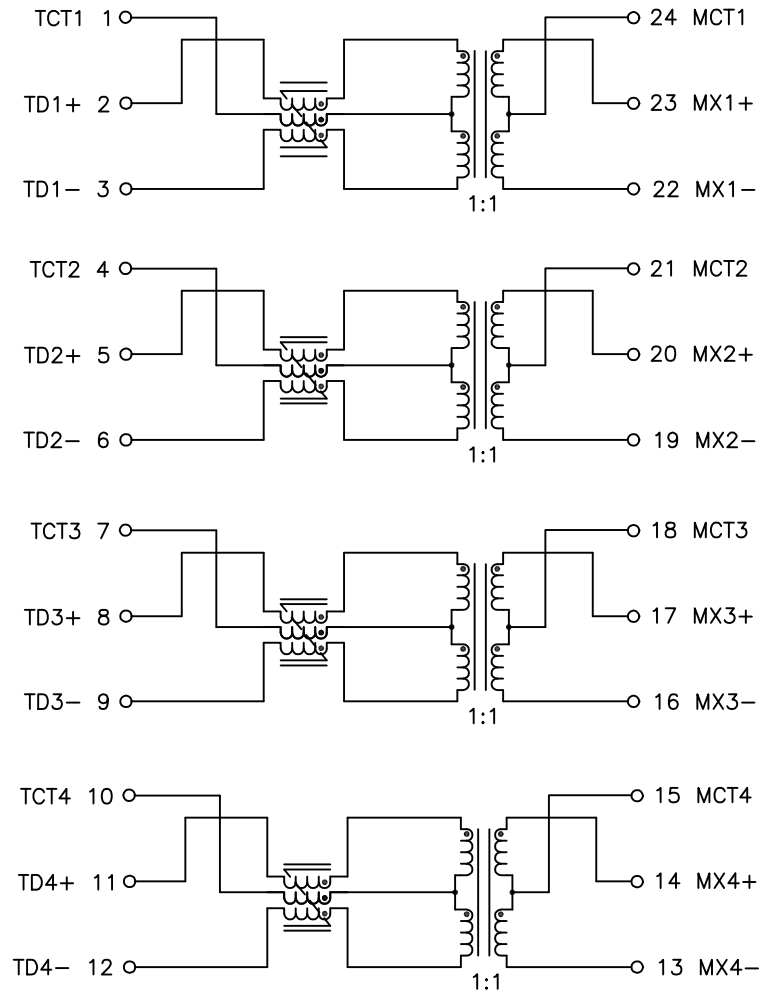


# Schematic:

REV.	ECN NO.	DESCRIPTION	DATE	APPD
E	REL		2019/05/18	



## Electrical Specification @25°C

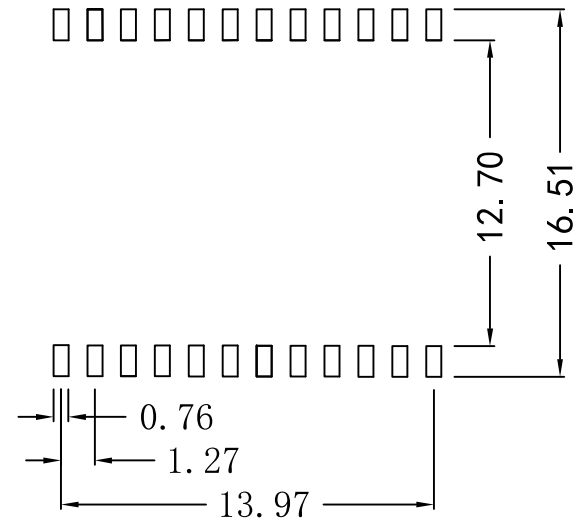
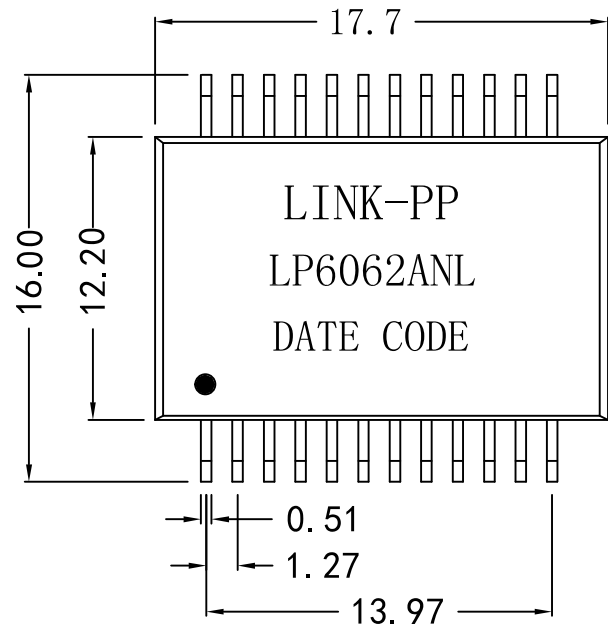
- Insertion Loss(dB Max):
  - 0.1MHz: -1.2
  - 1-125MHz: -2.0
- Return Loss(dB Min):
  - 1-40MHz: -16
  - 40-100MHz: -10
- Crosstalk(dB Min):
  - 30MHz: -43
  - 60MHz: -37
  - 100MHz: -33
- CMRR (dB Min):
  - 30MHz: -30
  - 200MHz: -15
- DCR Balance:  $1\Omega \pm 0.05\Omega$
- OCL:
  - (1) 350uH Min @20mA DC Bias
  - (2) 120uH Min @30mA DC Bias
- 720mA DC continuous over 4 pairs
- Hipot:1500Vrms
- Operating Temperature:  $-40^{\circ}\text{C} \sim +85^{\circ}\text{C}$ .



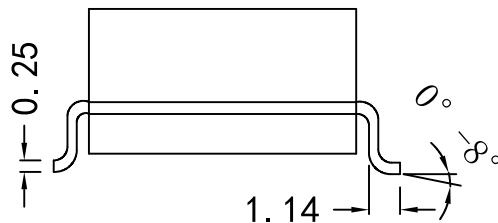
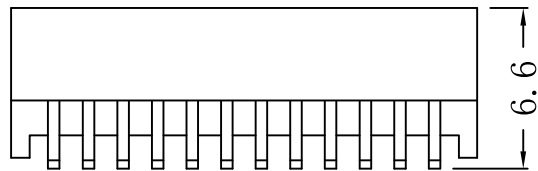
X:X	$\pm 0.30$	APPD: SAM	LINK-PP INT'L TECHNOLOGY CO., LIMITED	
X:XX	$\pm 0.25$	CHKD:		
X:XXX	$\pm 0.05$	DR: TOM	PART NO.: LP6062ANL	
ANGLES	$\pm 1^{\circ}$	UNIT: mm	DWG NO.: LP09110620	
SCALE: 2/1		SHEET: 1/2	REV: E	

**Mechanical:**

REV.	ECN NO.	DESCRIPTION	DATE	APPD
E	REL		2019/05/18	



SUGGESTED PAD LAYOUT



NOTES:

1. Gigabit Transformer Modules With Power Over Ethernet Option
2. 1x10/100/1000Base-Tx POE+ Application or 2x10/100Base-Tx POE+ Application
3. Exceeds IEEE 802.3at requirements with up to 720mA DC supply current over 2 or 4 pairs
4. Maximum Reflow Temperature is 260°C ±5°C
5. UL Certification: File Number E484635

X:X	± 0.30	APPD: SAM	LINK-PP INT'L TECHNOLOGY CO., LIMITED	
X:XX	± 0.25	CHKD:		
X:XXX	± 0.05	DR: TOM	TITLE: 1000Base-T Magnetic Modules For PoE+ Application	
ANGLES	± 1°	UNIT: mm	PART NO.: LP6062ANL	
	SCALE: 2/1	SHEET: 2/2	REV: E	DWG NO.: LP09110620