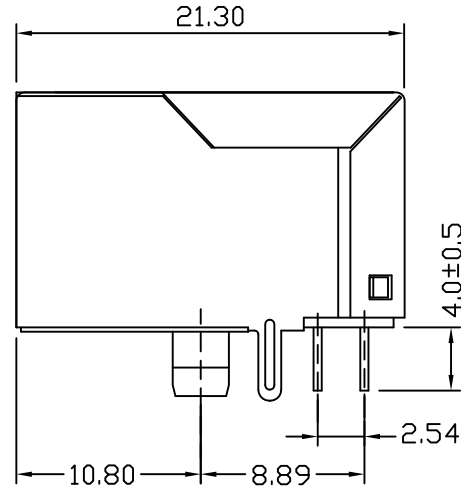
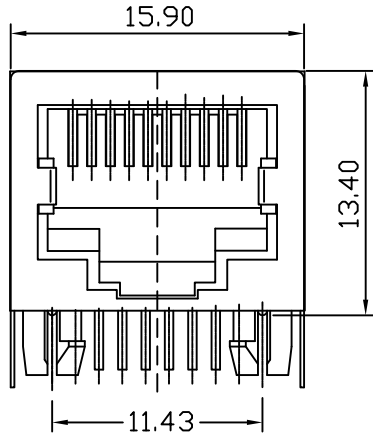


Mechanical:

| REV. | ECN NO. | DESCRIPTION | DATE | APPD |
|------|---------|-------------|------------|------|
| A | REL | | 2013/09/25 | |

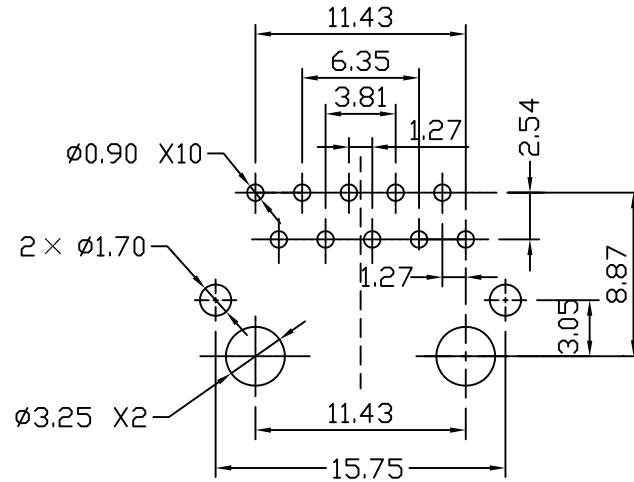
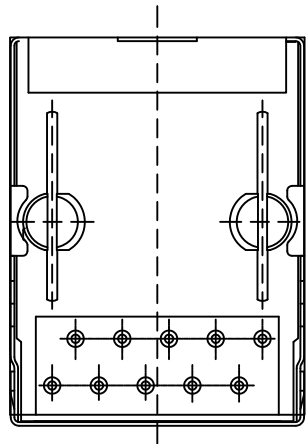


MATERIAL :

- 1. INSULATOR BODY : THERMOPLASTIC UL94V-0
- 2. CONTACT : 6U" GOLD PLATING
- 3. SPRING WIRE : $\phi 0.45$ mm PHOSPHORBRONZE, GOLD PLATING OVER NICKEL

ELECTRICAL DATA:

- 1. RATED CURRENT : 1.5A
- 2. VOLTAGE RATING : 125VAC MAX
- 3. CONTACT RESISTANCE : 30M Ω MAX
- 4. INSULATION RESISTANCE : 500M Ω MIN
- 5. WITHSTANDING VOLTAGE : 1000V AC FOR 1min.
- 6. (1)Storage: -40°C to +85°C
- (2)Operation: -40°C to +85°C
- (3)Wave solder temperature: 230°C to 250°C, 5~10 Sec.



PC Board Layout (Top View)



| | | | | |
|--------|---------------|------------|---------------------------------------|--|
| X:X | ± 0.30 | APPD: | LINK-PP INT'L TECHNOLOGY CO., LIMITED | |
| X:XX | ± 0.25 | CHKD: | TITLE: RJ45 1×1 CONNECTOR (10P 10C) | |
| X:XXX | ± 0.05 | DR: TOM | PART NO. : LPJE900DNL | |
| ANGLES | $\pm 1^\circ$ | UNIT: mm | DWG NO. : LP13092511 | |
| | SCALE: 2/1 | SHEET: 1/1 | REV: A | |