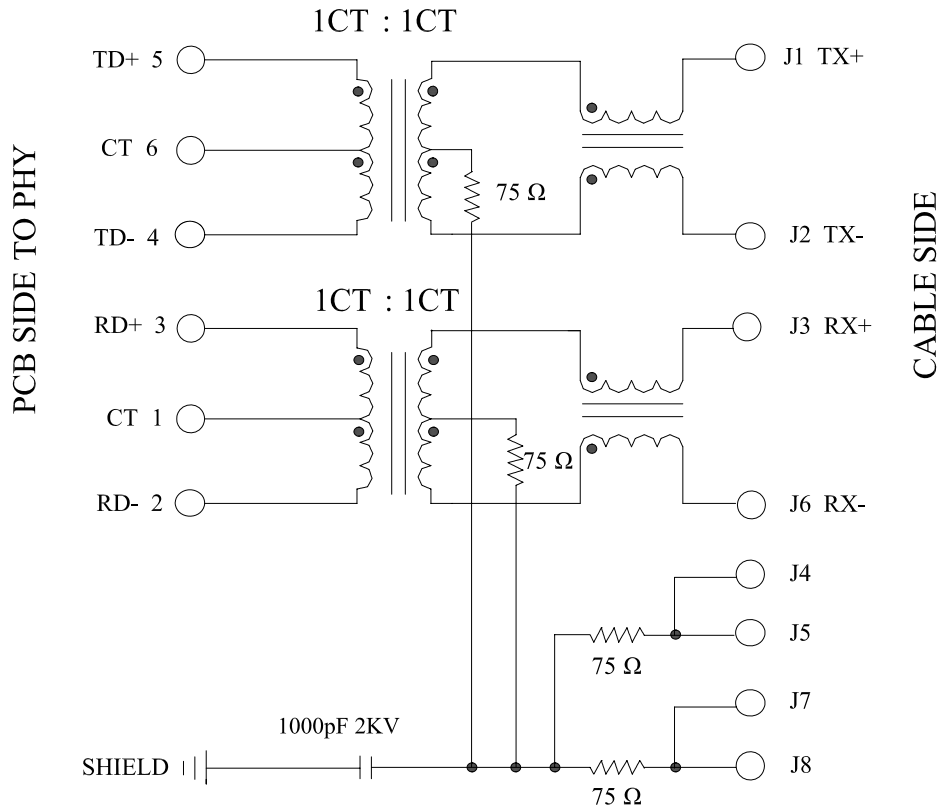


Schematic:

REV.	ECN NO.	DESCRIPTION	DATE	APPD
A	REL		2019-05-22	



ELECTRICAL SPECIFICATIONS @25°C

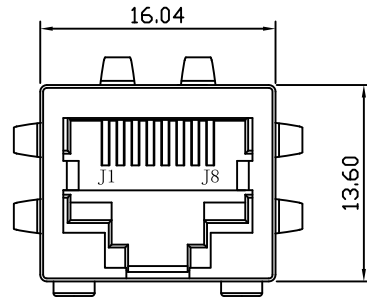
- Turn Ratio ( $\pm 5\%$ ):  
TX=1CT:1CT      RX=1CT:1CT
- Inductance OCL:  
350uH MIN @ 100KHz 0.1V 8mA DC Bias
- DCR: 1.2  $\Omega$  MAX
- Insertion Loss:  
-1.2dB MAX @ 1-100MHz
- Return Loss:  
-16dB MIN @ 1-30MHz  
-12dB MIN @ 30-60MHz  
-10dB MIN @ 60-80MHz
- Cross talk:  
-30dB MIN @ 1-100MHz
- Common to Common Mode Attenuation:  
-30dB MIN @ 1-100MHz
- Hipot Test: 1500Vrms
- Operating Temperature Range: -40°C to +105°C.



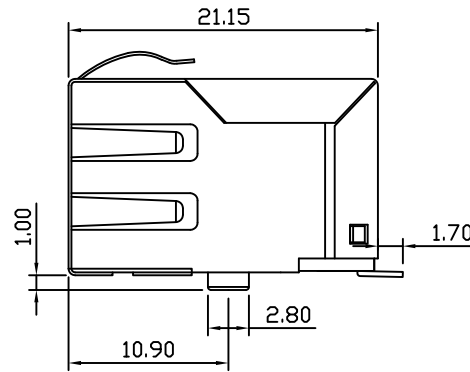
X:X	$\pm 0.30$	APPD:	LINK-PP INT'L TECHNOLOGY CO., LIMITED
X:XX	$\pm 0.25$	CHKD:	
X:XXX	$\pm 0.05$	DR: TOM	
ANGLES	$\pm 1^\circ$	UNIT: mm	PART NO.: LPJ19586CNL
	SCALE: 2/1	SHEET: 1/2	REV: A
			DWG NO.: LP19052201

# Mechanical:

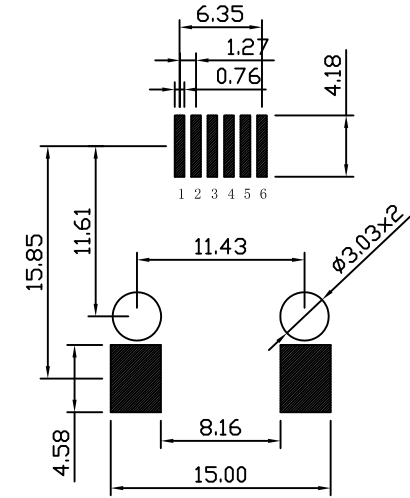
REV.	ECN NO.	DESCRIPTION	DATE	APPD
A	REL		2019-05-22	



Front Side View



Left Side View

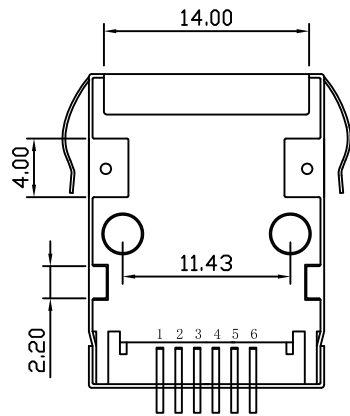


Suggested PCB Layout (Top View)

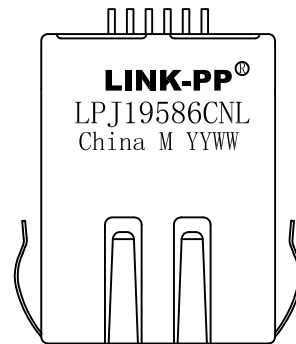


## NOTES :

1. Complies with IEEE standards and all 10/100 Ethernet specifications including 350uH with 8mA DC bias
2. Inter grated Mag-modular design provides higher reliability and conserves minimizing PCB space
3. Housing: Thermoplastic LCP
- 4.Contact :Phosphor Bronze C5191,Thickness=0.35mm plated
5. Input Terminal : Brass ,Thickness=0.35mm Finish : 120n' min Tin over 50n' min Nickel Nickel 30u" Min, Gold plated on content area 6u" Min
- 6.Metal shielding:Copper alloy with Nickel plated(C2680),Thickness=0.20mm Ni 30u" Min
- 7.Maximum reflow temperature is 250°C, 10 Sec.
- 8.UL certification: file number E484635.



Bottom Side View



Top Side View

X:X ±0.30	APPD:	LINK-PP INT'L TECHNOLOGY CO., LIMITED
X:XX ±0.25	CHKD:	
X:XXX ±0.05	DR: TOM	TITLE: Surface Mount RJ45 Connector with 10/100 Base-T Integrated Magnetics
ANGLES ±1°	UNIT: mm	PART NO. : LPJ19586CNL
	SCALE: 2/1	SHEET: 2/2
	REV: A	DWG NO. : LP19052201