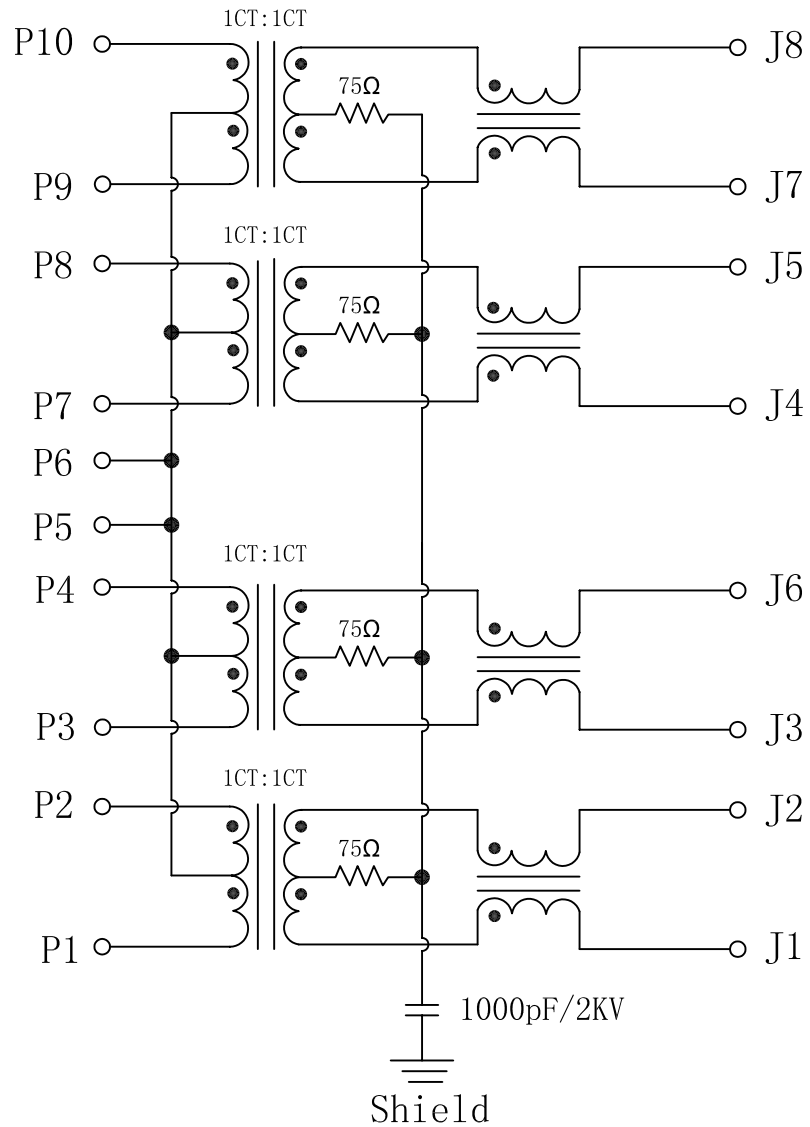


Schematic:

REV.	ECN NO.	DESCRIPTION	DATE	APPD
A	REL		2010/09/02	

PC BOARD CONNECTIONS



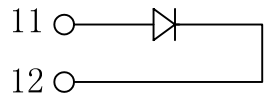
RJ45 CONNECTOR

Electrical Specifications @25°C

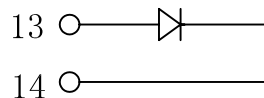
1. TURNS RATIO ($\pm 5\%$):
TX=1CT:1CT RX=1CT:1CT
2. HI-POT: 1500Vrms
3. INSERTION LOSS:
-1.0dB MAX @ 1-100MHz
4. RETURN LOSS:
-16dB MIN @ 1-30MHz
-13.5dB MIN @ 30-40MHz
-11.5dB MIN @ 40-50MHz
-10dB MIN @ 50-80MHz
5. CROSS TALK:
-40dB MIN @ 0.3-30MHz
-35dB MIN @ 30-60MHz
-30dB MIN @ 60-100MHz
6. CMR:
-35dB MIN @ 1-30MHz
-32dB MIN @ 30-60MHz
-30dB MIN @ 60-125MHz
7. OCL:
350uH Min 0.1MHz 0.1Vrms With 8mA DC Bias
8. Operating temperature range: 0°C to +70°C



YELLOW/LEFT LED



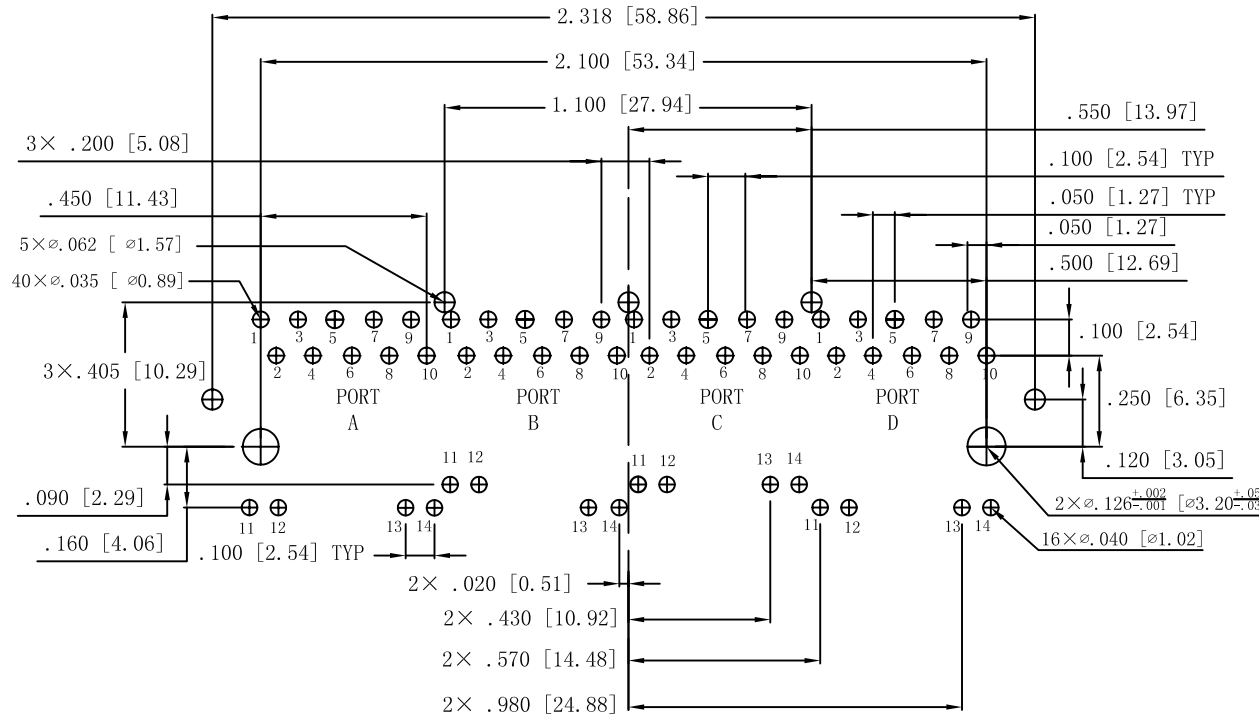
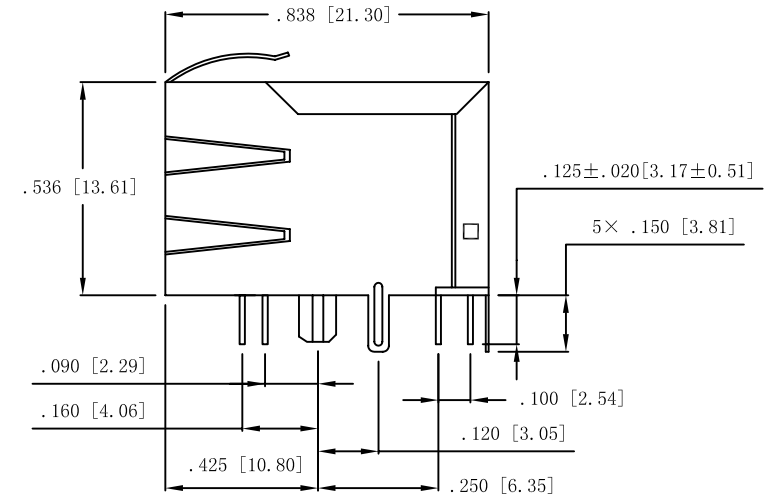
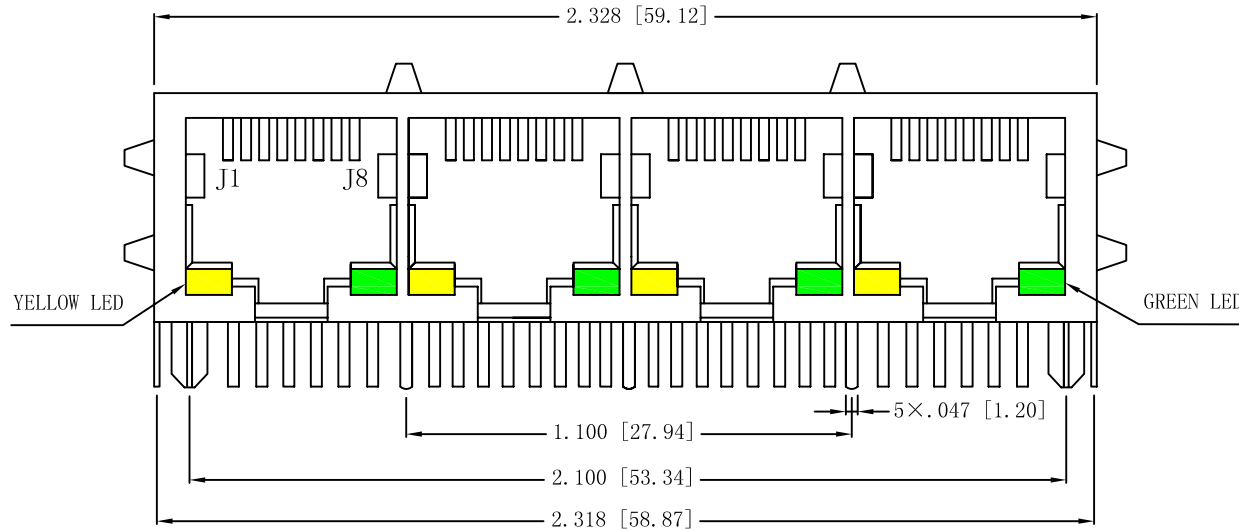
GREEN/RIGHT LED



X:X	± 0.20	APPD:	LINK-PP INT'L TECHNOLOGY CO., LIMITED	
X:XX	± 0.10	CHKD:		
X:XXX	± 0.05	DR: TOM		
ANGLES	$\pm 1^\circ$	UNIT: Inches/mm	PART NO.:	LPJG46801ADNL
	SCALE: 2/1	SHEET: 1/2	REV: A	DWG NO.: LP10090203

Mechanical:

REV.	ECN NO.	DESCRIPTION	DATE	APPD
A	REL		2010/09/02	



SUGGESTED PCB LAYOUT (TOP VIEW)

NOTES:

1. Designed to support application, such as SOHO (ADSL modems), LAN-on-Motherboard (LOM), hub and Switches.
2. Meets IEEE 802.3 specification
3. Connector Materials:
 Housing: Thermoplastic UL94V-0
 Contact/Shield: Copper alloy
 Shield plating: Nickel
 Contact plating: Gold 6 micro-inches min. In contact area.
4. Wave solder tip temperature: 265°C Max
 Wave solder tip temperature time: 5 Sec Max



X:X	±0.20	APPD:	LINK-PP INT'L TECHNOLOGY CO., LIMITED
X:XX	±0.10	CHKD:	
X:XXX	±0.05	DR: TOM	Title: RJ45 Connector With 1000 Base-TX Integrated Magnetic
ANGLES	±1°	UNIT: Inches/mm	PART NO.: LPJG46801ADNL
	SCALE: 2/1	SHEET: 2/2	REV: A DWG NO.: LP10090203