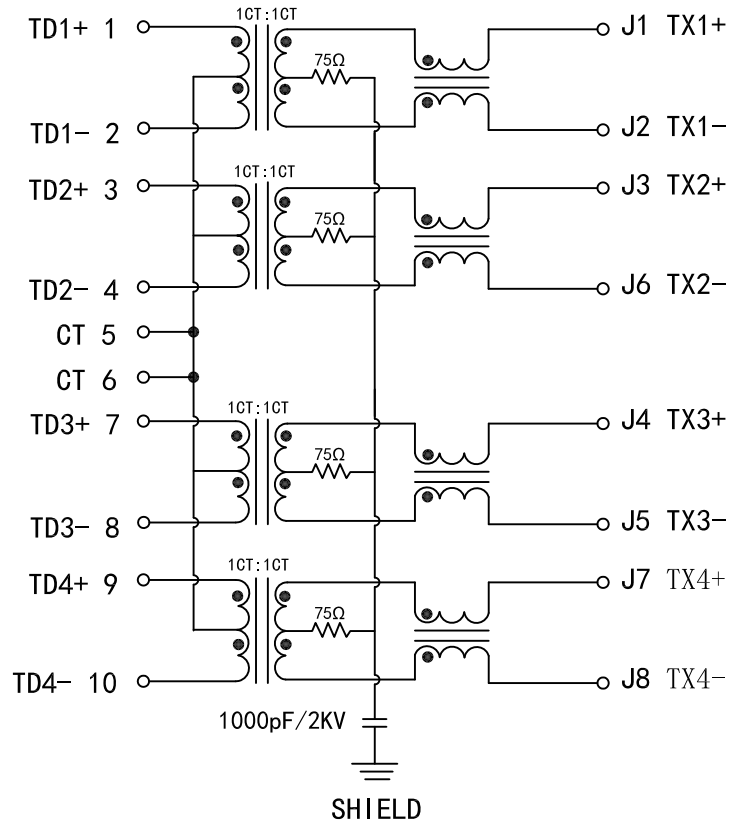


Schematic:

REV.	ECN NO.	DESCRIPTION	DATE	APPD
A	REL		2012/09/06	

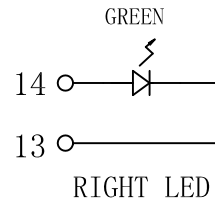
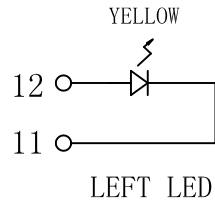
PC BOARD CONNECTIONS



RJ45 CONNECTOR

Electrical Specification @25°C

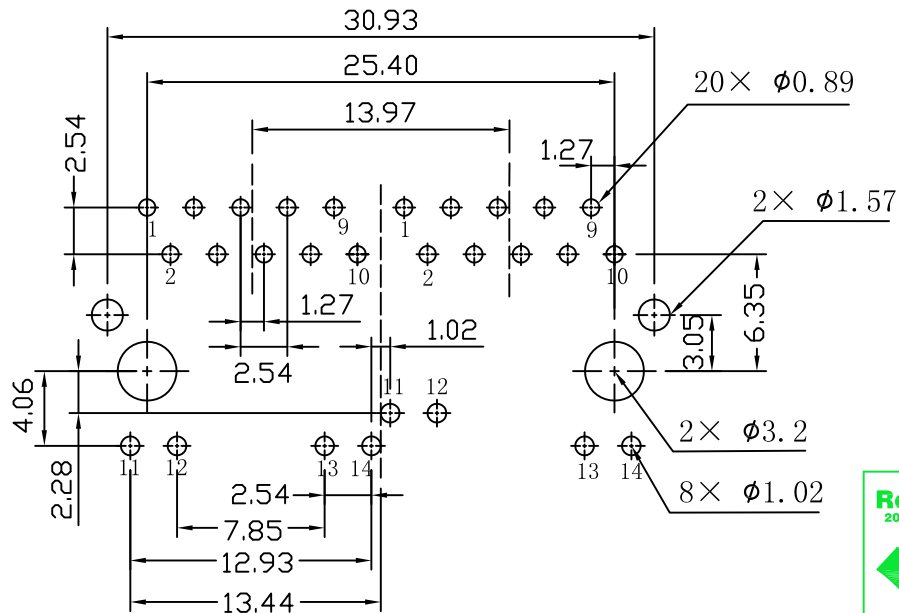
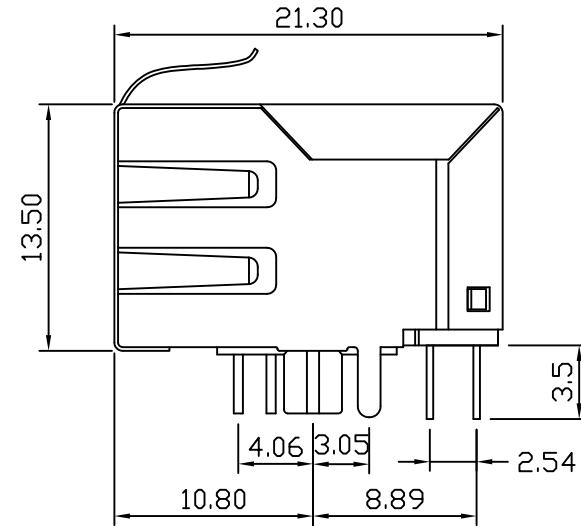
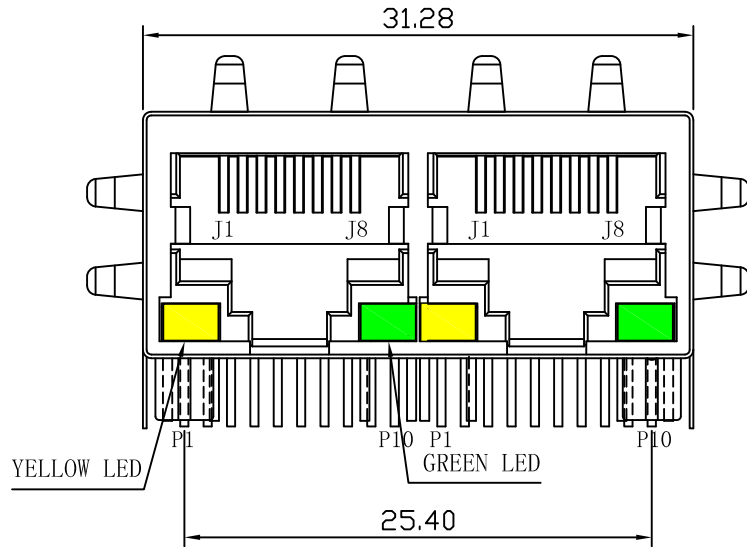
- Turns Ratio ($\pm 2\%$) :
T1CT : 1CT
- OC L: 350uH Min
@100KHz/0.1V With 8mA DC Bias
- Insertion Loss(dB Max):
1-100MHz:-0.8 100-120MHz:-1.2
- Return Loss(dB Min):
1-30MHz:-18 30-60MHz:-16
60-80MHz:-12 80-100MHz:-10
- Crosstalk(dB Min):
1-30MHz:-40dB 30-60MHz:-35dB
60-100MHz:-30dB
- CMR(dB Min):
1-50MHz:-40dB 50-150MHz:-30dB
- Hipot: 1500Vrms
- Operating Temperature: -40°C ~ +85°C



X:X	± 0.30	APPD:	LINK-PP INT'L TECHNOLOGY CO., LIMITED	
X:XX	± 0.20	CHKD:	TITLE: RJ45 Connector with 1000 BASE-TX Integrated Magnetic	
X:XXX	± 0.05	DR: TOM	PART NO.: LPJG26901AGNL	
ANGLES	$\pm 1^\circ$	UNIT: mm	DWG NO.: LP12090602	
	SCALE: 2/1	SHEET: 1/2	REV: A	

Mechanical:

REV.	ECN NO.	DESCRIPTION	DATE	APPD
A	REL		2012/09/06	



SUGGESTED PCB LAYOUT (TOP VIEW)



NOTES:

1. Designed to support application, such as SOHO (ADSL modems), LAN-on-Motherboard (LOM), hub and Switches.
2. Meets IEEE 802.3 specification
3. Connector Materials:
Housing: Thermoplastic UL94V-0
Contact/Shield: Copper alloy
Shield plating: Nickel
Contact plating: Gold 6 micro-inches min. In contact area.
4. Wave solder tip temperature: 265°C Max
Wave solder tip temperature time: 5 Sec Max

X:X	±0.30	APPD:	LINK-PP INT'L TECHNOLOGY CO., LIMITED	
X:XX	±0.20	CHKD:	TITLE: RJ45 Connector with 1000 BASE-TX Integrated Magnetic	
X:XXX	±0.05	DR: TOM	PART NO.: LPJG26901AGNL	
ANGLES	±1°	UNIT: mm	DWG NO.: LP12090602	
	SCALE: 2/1	SHEET: 2/2	REV: A	