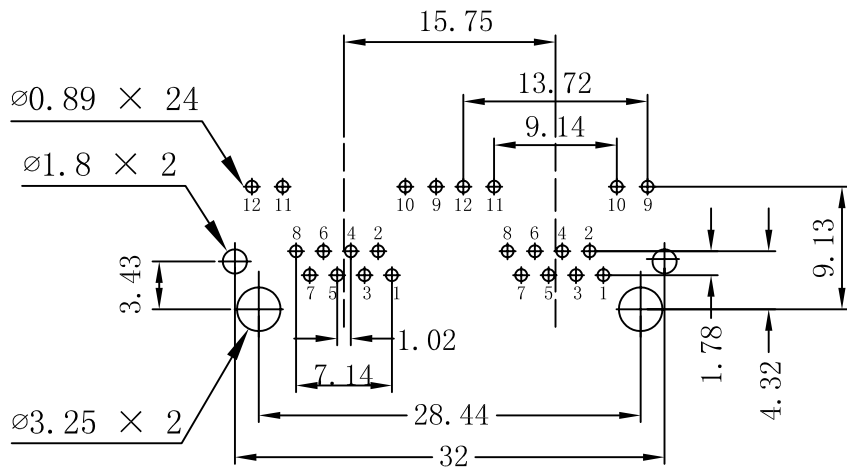
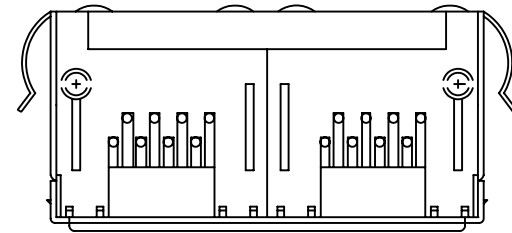
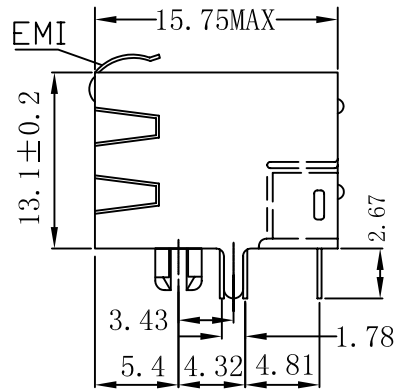
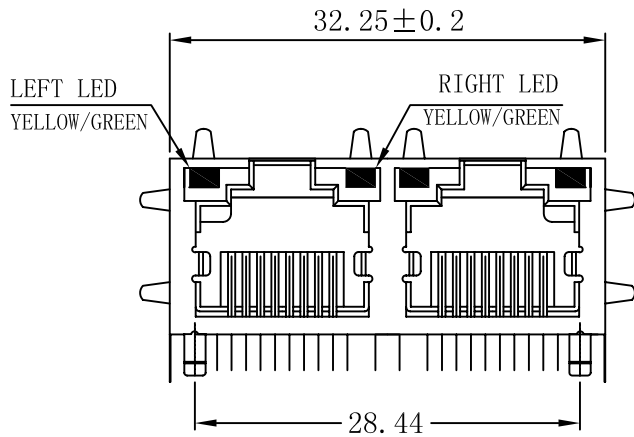
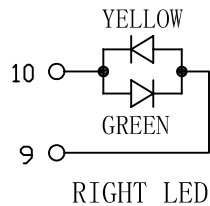
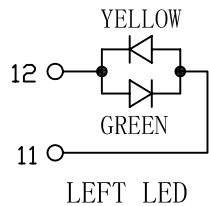


REW.	ECN NO.	DESCRIPTION	DATE	APPD
A	REL		09/10/2009	



PC Board Layout (TOP VIEW)  
Component Side Shown



NOTES:  
MATERIAL:

- |                     |   |
|---------------------|---|
| 1. HOUSING MATERIAL | : GLASS FILLED POLYESTER UL94V-0.                   |
| 2. CONTACT MATERIAL | : PHOSPHOR BRONZE $\varnothing 0.46$ mm.            |
| 3. PLATING          | : GOLD PLATING OVER NICKEL.                         |
| 4. SHIELD           | : 0.23mm THICKNESS COPPER ALLOY WITH NICKEL PLATED. |
| 5. LED              | : OPTION  |

ELECTRICAL:

- |                                       |                              |
|---------------------------------------|------------------------------|
| 1. VOLTAGE RATING                     | : 125VAC RMS.                |
| 2. CURRENT RATING                     | : 1.5AMP.                    |
| 3. CONTACT RESISTANCE                 | : 30 MILLIOHMS MAX.          |
| 4. INSULATION RESISTANCE              | : 500MEG OHMS MIN @ 500V DC. |
| 5. DIELECTRIC WITHSTANDING RESISTANCE | : 1000V AC RMS 50Hz. 1MIN.   |

MECHANICAL:

- |                             |                   |
|-----------------------------|-------------------|
| 1. DURRABILITY              | : 750 CYCLES MIN. |
| 2. PCB RETENTION PRE-SOLDER | : 1LB MIN.        |

GOLD PLATING:

- |                                     |                                |                               |                              |
|-------------------------------------|--------------------------------|-------------------------------|------------------------------|
| Gold Flash <input type="checkbox"/> | 1.5U" <input type="checkbox"/> | 3U" <input type="checkbox"/>  | 6U" <input type="checkbox"/> |
| 15U" <input type="checkbox"/>       | 30U" <input type="checkbox"/>  | 50U" <input type="checkbox"/> |                              |

ENVIRONMENTAL:

- |              |                   |
|--------------|-------------------|
| 1. STORAGE   | : -40°C TO +85°C. |
| 2. OPERATION | : -40°C TO +85°C. |

X:X ±0.20	APPD:	LINK-PP INT'L TECHNOLOGY CO., LIMITED
X:XX ±0.10	CHKD:	
X:XXX ±0.05	DR: TOM	Title: SIDE ENTRY PCB JACK WITH SHIELD
ANGLES ±1°	UNIT: mm	PART NO.: LPJE201A47NL
	SCALE: 1/1	SHEET: 1/1
	REV: A	DWG NO.: LP09100901