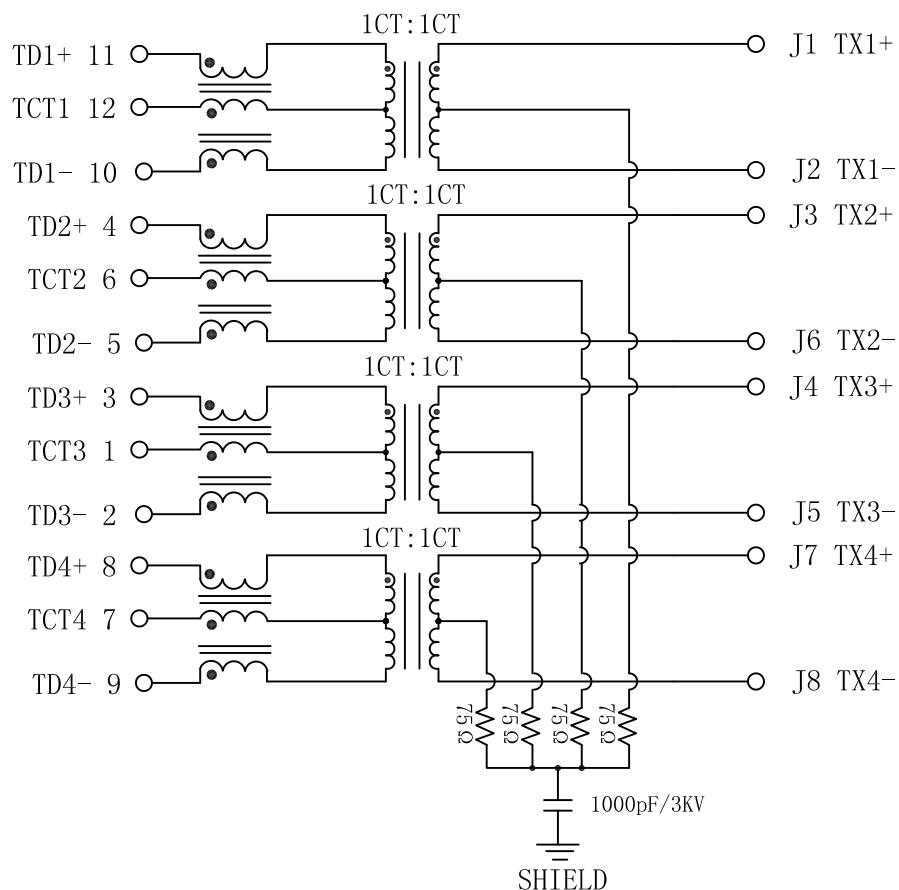


Schematic:

REV.	ECN NO.	DESCRIPTION	DATE	APPD
A	REL		2013/06/18	

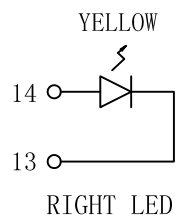
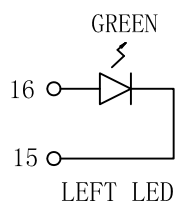
PC BOARD CONNECTIONS



RJ45 CONNECTOR

Electrical Specifications @25°C

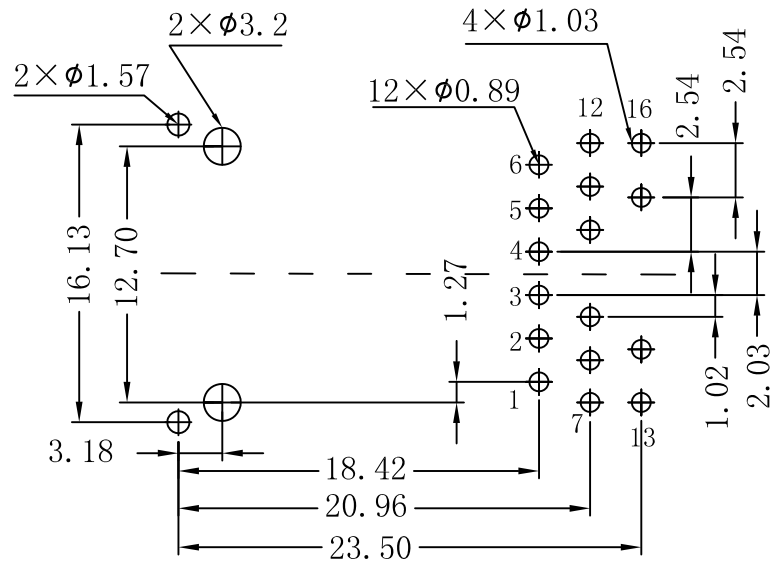
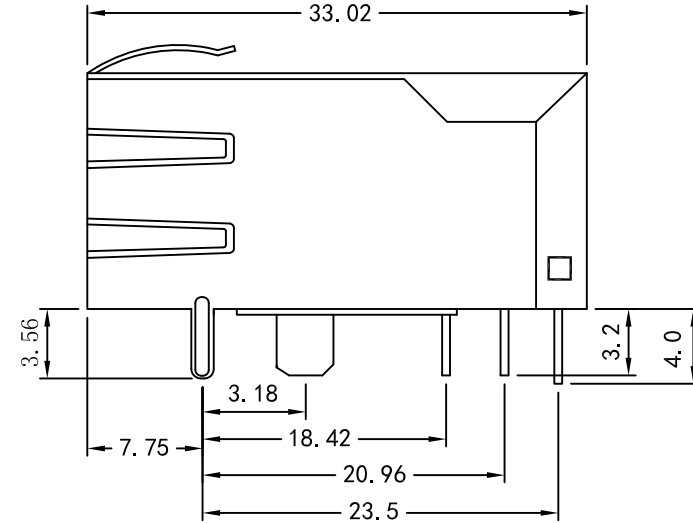
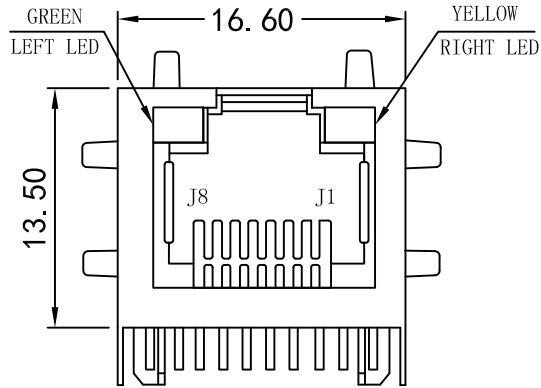
- Turns Ratio ($\pm 5\%$):
TX=1CT:1CT RX=1CT:1CT
- OCL: 350uH MIN
@100KHz, 0.1V, 8mA DC bias current.
- Insertion Loss (dB MAX):
10MHz: -0.5 50MHz: -0.7
80MHz: -1.0 100MHz: -1.3
- Return Loss (dB MIN):
10MHz: -27; 100MHz: -10
- Crosstalk (dB MIN):
6MHz: -50; 50MHz: -34
100MHz: -25
- CMR (dB MIN):
10MHz: -34; 80MHz: -27
200MHz: -21.5; 400MHz: -10
1000MHz: -10.
- Hipot: 1500Vrms
- Operating Temperature: 0°C ~ 70°C.



X:X	± 0.30	APPD:	LINK-PP INT'L TECHNOLOGY CO., LIMITED	
X:XX	± 0.25	CHKD:	TITLE: RJ45 Connector with 1000Base-TX Integrated Magnetic	
X:XXX	± 0.05	DR: TOM	PART NO.: LPJK0038AHNL	
ANGLES	$\pm 1^\circ$	UNIT: mm		
	SCALE: 2/1	SHEET: 1/2	REV: A	DWG NO.: LP13061821

Mechanical :

REV.	ECN NO.	DESCRIPTION	DATE	APPD
A	REL		2013/06/18	



SUGGESTED PCB LAYOUT (TOP VIEW)



NOTES:

1. Designed to support application, such as SOHO (ADSL modems), LAN-on-Motherboard (LOM), hub and Switches.
2. Meets IEEE 802.3 specification
3. Connector Materials:
 Housing: Thermoplastic UL94V-0
 Contact/Shield: Copper alloy
 Shield plating: Nickel
 Contact plating: Gold 6 micro-inches min. In contact area.
4. Wave solder tip temperature: 265°C Max, 5 Sec Max.

X:X	±0.30	APPD:	LINK-PP INT'L TECHNOLOGY CO., LIMITED
X:XX	±0.25	CHKD:	
X:XXX	±0.05	DR: TOM	TITLE: RJ45 Connector with 1000Base-TX Integrated Magnetic
ANGLES	±1°	UNIT: mm	PART NO.: LPJK0038AHNL
	SCALE: 2/1	SHEET: 2/2	REV: A
			DWG NO.: LP13061821