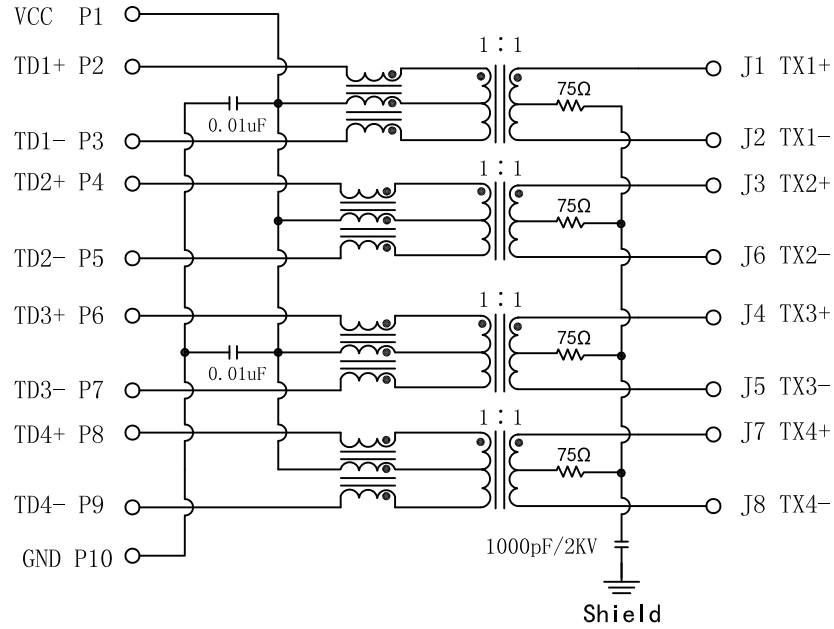


# Schematic:

REV.	ECN NO.	DESCRIPTION	DATE	APPD
A	REL		2014/01/08	

PC BOARD CONNECTIONS



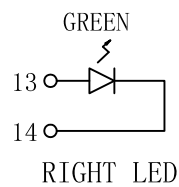
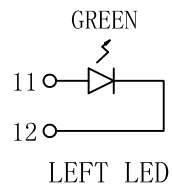
RJ45 CONNECTOR

## Electrical Specifications @ 25°C

- Turns Ratio ( $\pm 3\%$ ):  
ICT : ICT
- Inductance (@100KHz, 100mV, 8mA DC Bias):  
J1-J2; J3-J6; J4-J5; J7-J8: 350uH Min
- Insertion Loss:  
1~100MHz: -1.1dB Max
- Return Loss (dB Min):  
1~40MHz: -18      60MHz: -14  
80MHz: -12      100MHz: -10
- Crosstalk:  
1~100MHz: -30dB Typ
- Common Mode Rejection (dB Typ):  
1~30MHz: -38      30~60MHz: -35  
60~100MHz: -30
- CMRR:  
1~100MHz: -30dB Min
- Isolation Voltage: 1500Vrms
- Operating Temperature Range: 0°C ~ 70°C.



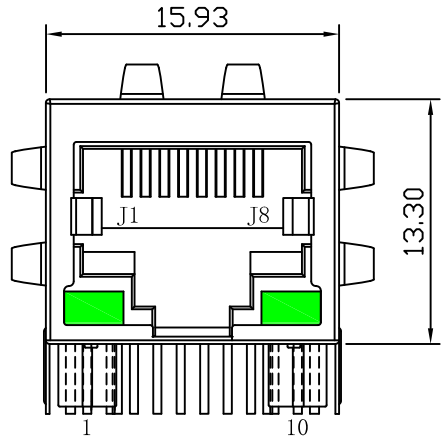
Emitting Color	$\lambda$ p(nm)	VF@IF=20mA	IR @VR=5V
GREEN	565	1.8~2.6V	10 $\mu$ A max



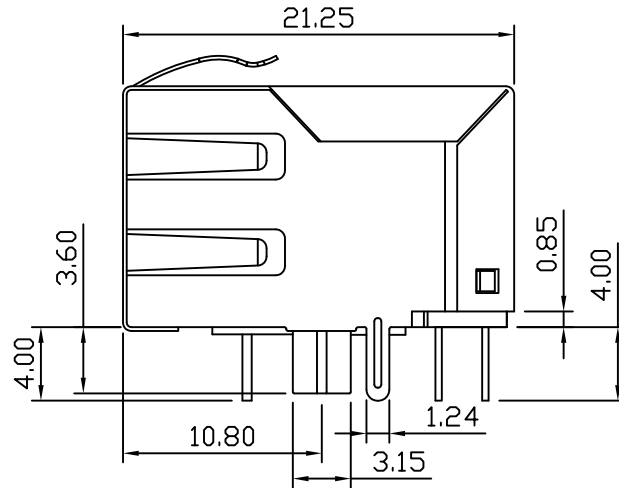
X:X $\pm 0.30$	APPD:	LINK-PP INT'L TECHNOLOGY CO., LIMITED	
X:XX $\pm 0.25$	CHKD:	TITLE: RJ45 Connector with 1000 Base-T Integrated Magnetics	
X:XXX $\pm 0.05$	DR: TOM	PART NO.: LPJG0873GFNL	
ANGLES $\pm 1^\circ$	UNIT: mm	DWG NO.: LP10010801	
	SCALE: 2/1	SHEET: 1/2	REV: A

# Mechanical:

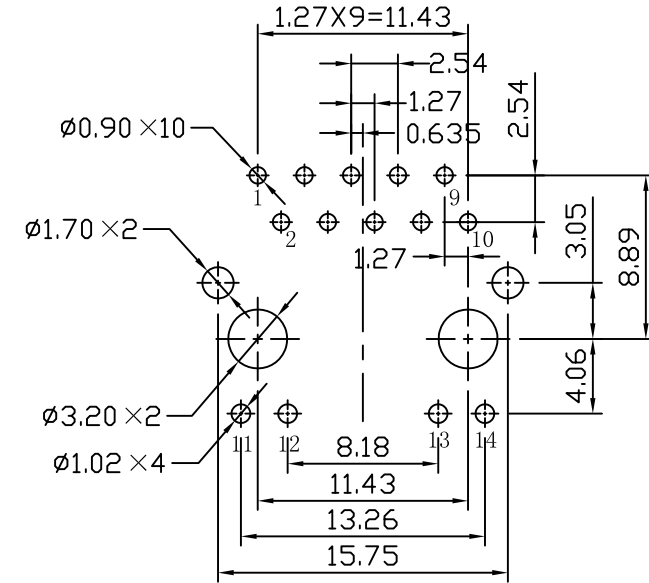
REV.	ECN NO.	DESCRIPTION	DATE	APPD
A	REL		2014/01/08	



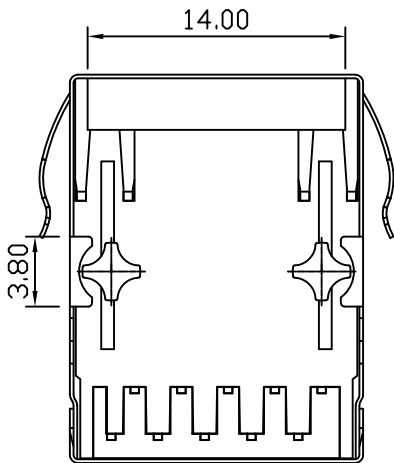
Front Side View



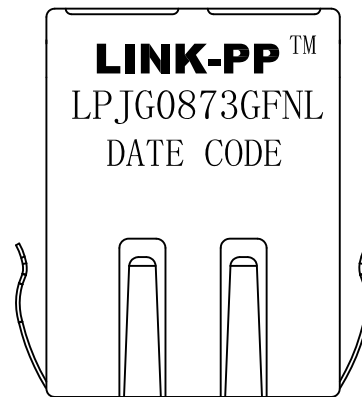
Left Side View



Suggested PCB Layout (Top View)



Bottom Side View



Top Side View

## NOTES:

1. Designed to support application, such as SOHO (ADSL modems), LAN-on-Motherboard (LOM), hub and Switches.
2. Meets IEEE802.3 specification
3. Connector Materials:  
 Housing: Thermoplastic PBT+30%G.F UL94V-0  
 Contact: Phosphor Bronze C5210R-EH Thickness=0.35mm  
 Pins: Brass C2680R-H Thickness=0.35mm  
 Shield: SUS 201-1/2H Thickness=0.2mm  
 Contact plating: Gold 6 micro-inches min. In contact area.
4. Wave solder tip temperature: 265°C Max, 5 Sec Max.

X:X	±0.30	APPD:	LINK-PP INT'L TECHNOLOGY CO., LIMITED	
X:XX	±0.25	CHKD:	TITLE: RJ45 Connector with 1000 Base-T Integrated Magnetics	
X:XXX	±0.05	DR: TOM	PART NO.: LPJG0873GFNL	
ANGLES	±1°	UNIT: mm	DWG NO.: LP10010801	
	SCALE: 2/1	SHEET: 2/2	REV: A	