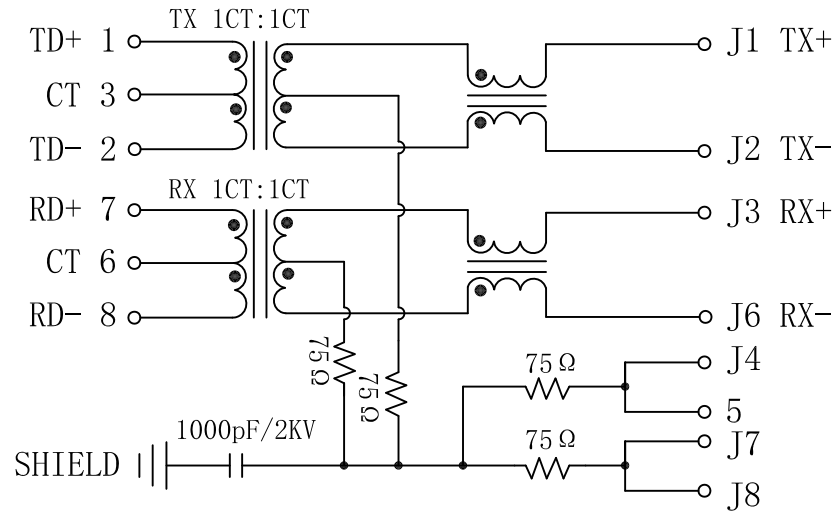


Schematic:

REV.	ECN NO.	DESCRIPTION	DATE	APPD
A	REL		2014-06-19	

PC BOARD CONNECTIONS



RJ45 CONNECTOR

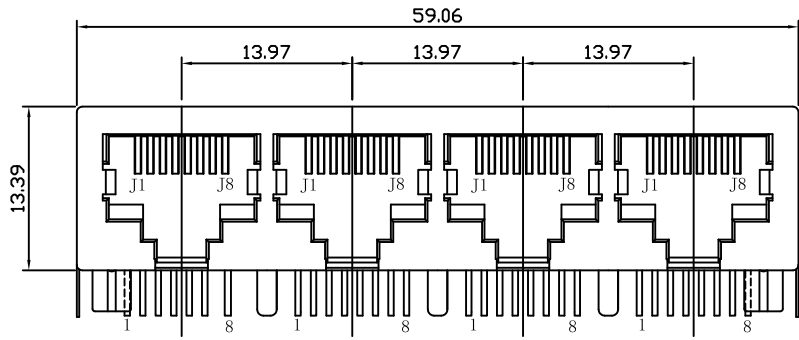
Electrical Specifications @25°C

- Turns Ratio ( $\pm 2\%$ ) :  
TX=1CT:1CT      RX=1CT:1CT
- OCL (@100KHz, 0.1V, 8mA DC Bias) :  
350uH Min
- Return Loss (dB Min) :  
1~10MHz:-18      30MHz:-16  
60~100MHz:-12
- Crosstalk (dB Min) :  
1~10MHz:-40      30~60MHz:-35  
60~100MHz:-30
- Insertion Loss:  
0.1~100MHz:-1.2dB Max
- CMR (dB Min) :  
1~50MHz:-30      50~130MHz:-20
- Isolation Voltage: 1500Vrms @60Hz 1 MIN
- Operating Temperature: 0°C~70°C.

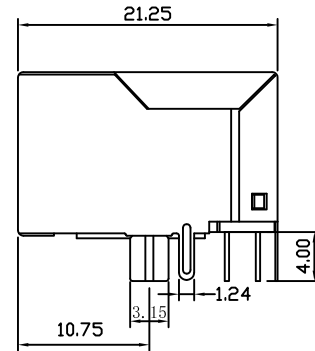
X:X	$\pm 0.25$	APPD:	LINK-PP INT'L TECHNOLOGY CO., LIMITED	
X:XX	$\pm 0.20$	CHKD:	TITLE: 1*4 RJ45 Connector with 10/100 Base-T Integrated Magnetics	
X:XXX	$\pm 0.05$	DR: TOM		
ANGLES	$\pm 1^\circ$	UNIT: mm	PART NO. : LPJ46203DNL	
	SCALE: 2/1	SHEET: 1/2	REV: A	DWG NO. : LP14061266

Mechanical:

REV.	ECN NO.	DESCRIPTION	DATE	APPD
A	REL		2014-06-19	



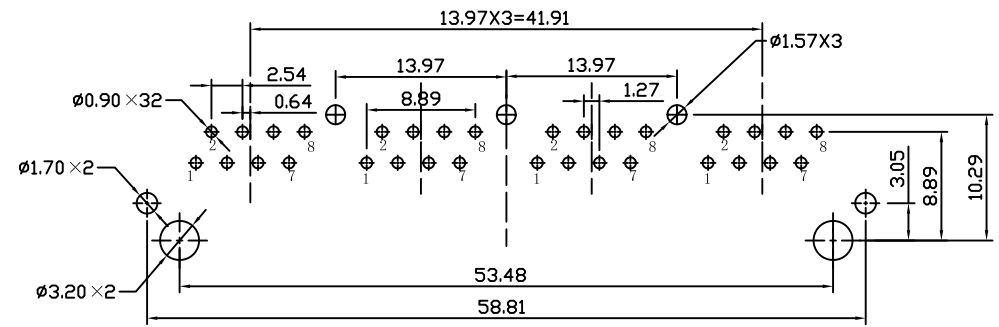
Front Side View



Left Side View



Top Side View



Suggested PCB Layout (Top View)

NOTES:

1. Meets IEEE 802.3 specification
2. Connector Materials:  
Housing: Thermoplastic UL94V-0  
Contact/Shield: Copper alloy  
Shield plating: Nickel  
Contact plating: Gold 6 micro-inches min. In contact area.
3. Wave solder tip temperature: 265°C Max, 5 Sec.
4. UL Certification: File Number E484635.



X:X ±0.25	APPD:	LINK-PP INT'L TECHNOLOGY CO., LIMITED
X:XX ±0.20	CHKD:	
X:XXX ±0.05	DR: TOM	TITLE: 1*4 RJ45 Connector with 10/100 Base-T Integrated Magnetics
ANGLES ±1°	UNIT: mm	PART NO.: LPJ46203DNL
	SCALE: 2/1	SHEET: 2/2
	REV: A	DWG NO.: LP14061266