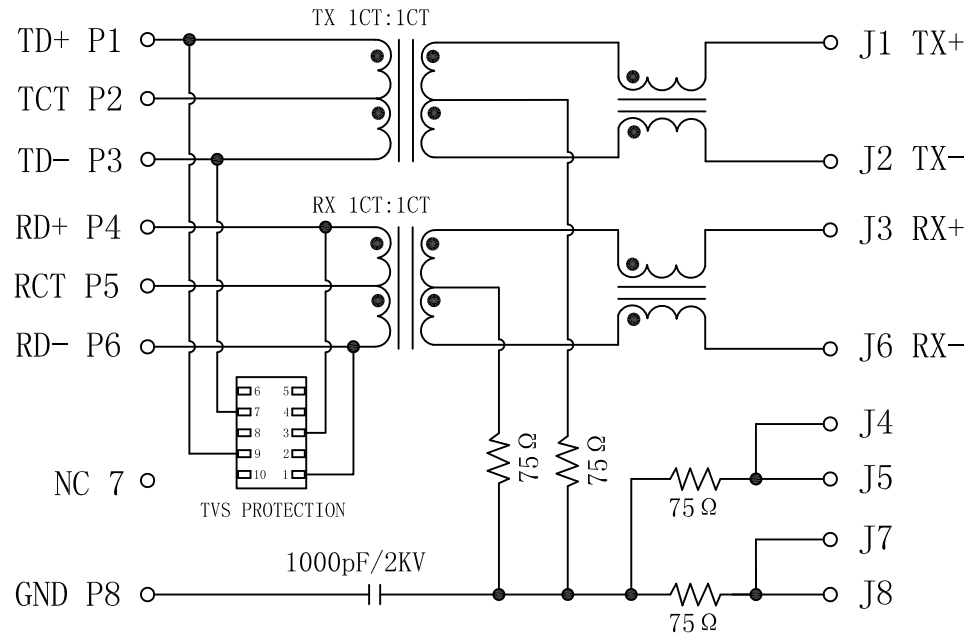


# Schematic:

REV.	ECN NO.	DESCRIPTION	DATE	APPD
A	REL		2010/04/13	

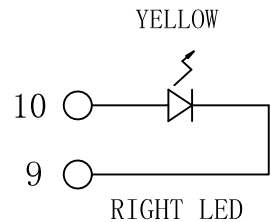
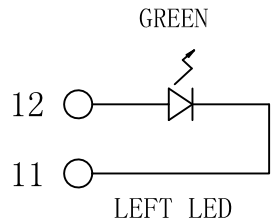
PCB SIDE TO PHY



CABLE SIDE

## Electrical Specification @25°C

- Turns Ratio ( $\pm 3\%$ ):  
TX=1CT:1CT      RX=1CT:1CT
- Insertion Loss:  
0.1-100MHz: -1.1dB MAX
- Return Loss:  
1-30MHz: -18dB MIN  
31-80MHz: -12dB MIN
- Cross Talk:  
1-100: -30dB MIN
- Common To Common Mode Attenuation:  
1-100MHz: -35dB MIN
- Hipot: 1500Vrms
- OCL: 350uH Min  
@100KHz 0.1V 8mA DC Bias
- Operating Temperature: 0°C ~ 70°C.



X:X	±0.20	APPD:	LINK-PP INT'L TECHNOLOGY CO., LIMITED	
X:XX	±0.10	CHKD:	TITLE: RJ45 Connector With 10/100 Base-TX Integrated Magnetic	
X:XXX	±0.05	DR: TOM	PART NO.: LPJ1141AHNL	
ANGLES	±1°	UNIT: mm		
	SCALE: 2/1	SHEET: 1/2	REV: A	DWG NO.: LP10041316

