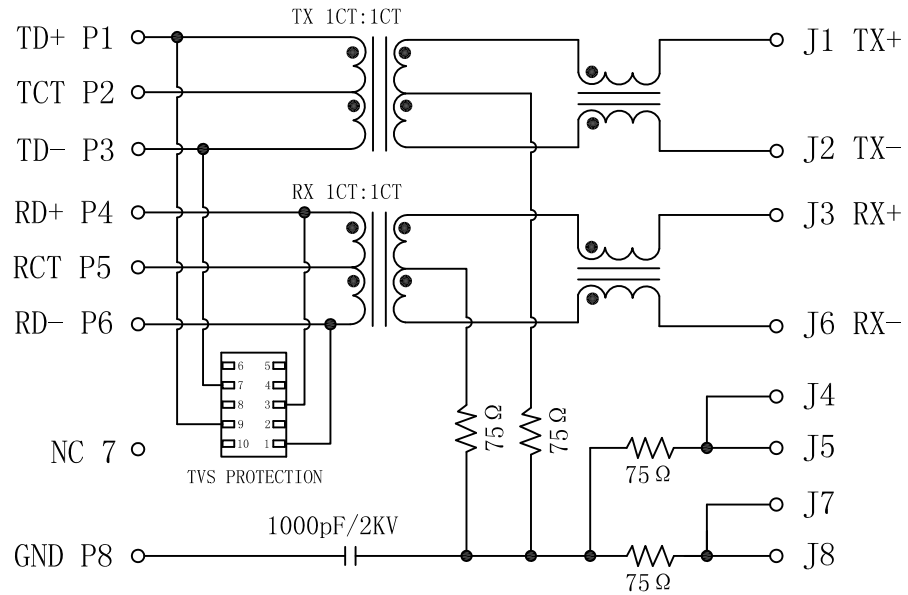


Schematic :

REV.	ECN NO.	DESCRIPTION	DATE	APPD
A	REL		2010/04/13	

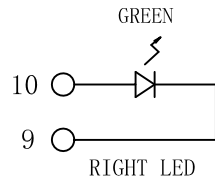
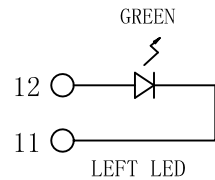
PC BOARD CONNECTIONS



RJ45 CONNECTOR

Electrical Specification @25°C

- Turns Ratio ($\pm 3\%$):
TX=1CT:1CT RX=1CT:1CT
- Insertion Loss:
0.1-100MHz:-1.1dB MAX
- Return Loss:
1-30MHz:-18dB MIN
31-80MHz:-12dB MIN
- Cross Talk:
1-100:-30dB MIN
- Common To Common Mode Attenuation:
1-100MHz:-35dB MIN
- Hipot: 1500Vrms
- OCL (@100KHz 0.1V 8mA DC Bias):
350uH Min
- Operating Temperature: 0°C ~ 70°C.



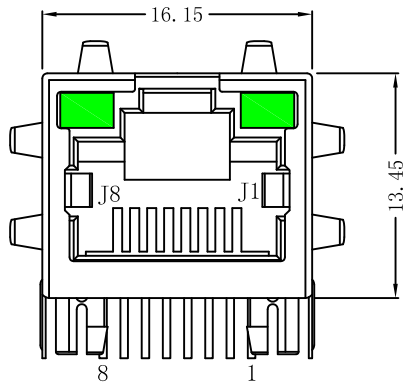
Emitting Color	λ p(nm)	VF@IF=20mA	IR @VR=5V
GREEN	565	1.8~2.6V	10 μ A max



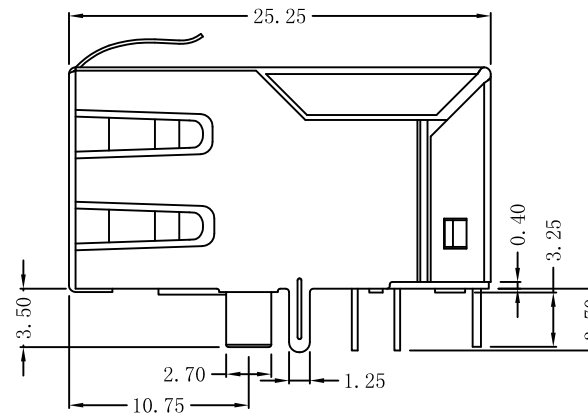
X:X	± 0.30	APPD:	LINK-PP INT'L TECHNOLOGY CO., LIMITED	
X:XX	± 0.25	CHKD:	TITLE: RJ45 Connector With 10/100 Base-TX Integrated Magnetic	
X:XXX	± 0.05	DR: TOM	PART NO.: LPJ1141AWNL	
ANGLES	$\pm 1^\circ$	UNIT: mm	REV: A	
SCALE: 2/1		SHEET: 1/2		DWG NO.: LP10041314

Mechanical :

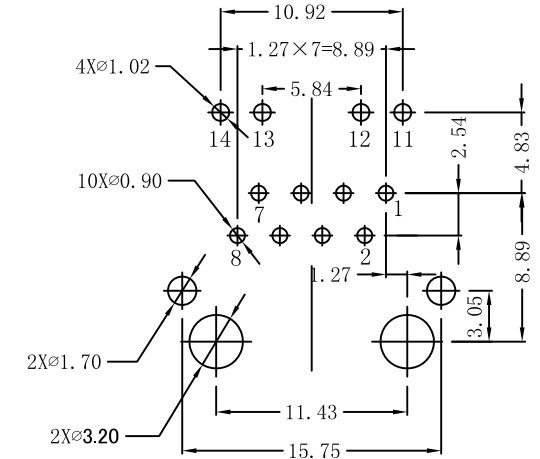
REV.	ECN NO.	DESCRIPTION	DATE	APPD
A	REL		2010/04/13	



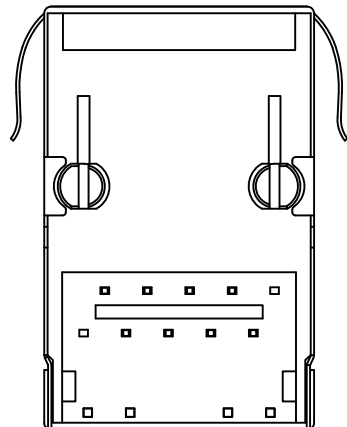
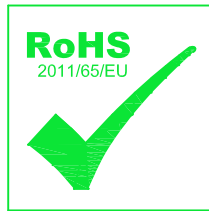
Front Side View



Left Side View



Suggested PCB Layout (Top View)



Bottom Side View



Top Side View

NOTES:

1. Designed to support application, such as SOHO (ADSL modems), LAN-on-Motherboard (LOM), hub and Switches.
2. Meets IEEE 802.3 specification
3. Connector Materials:
 Housing: Thermoplastic PBT+30%G.F UL94V-0
 Contact: Phosphor Bronze C5210R-EH Thickness=0.35mm
 Pins: Brass C2680R-H Thickness=0.35mm
 Shield: SUS 201-1/2H Thickness=0.2mm
 Contact plating: Gold 6 micro-inches min. In contact area.
4. Wave solder tip temperature: 265°C Max
 Wave solder tip temperature time: 5 Sec Max

X:X	±0.30	APPD:	LINK-PP INT'L TECHNOLOGY CO., LIMITED
X:XX	±0.25	CHKD:	
X:XXX	±0.05	DR: TOM	TITLE: RJ45 Connector With 10/100 Base-TX Integrated Magnetic
ANGLES	±1°	UNIT: mm	PART NO.: LPJ1141AWN
	SCALE: 2/1	SHEET: 2/2	REV: A DWG NO.: LP10041314