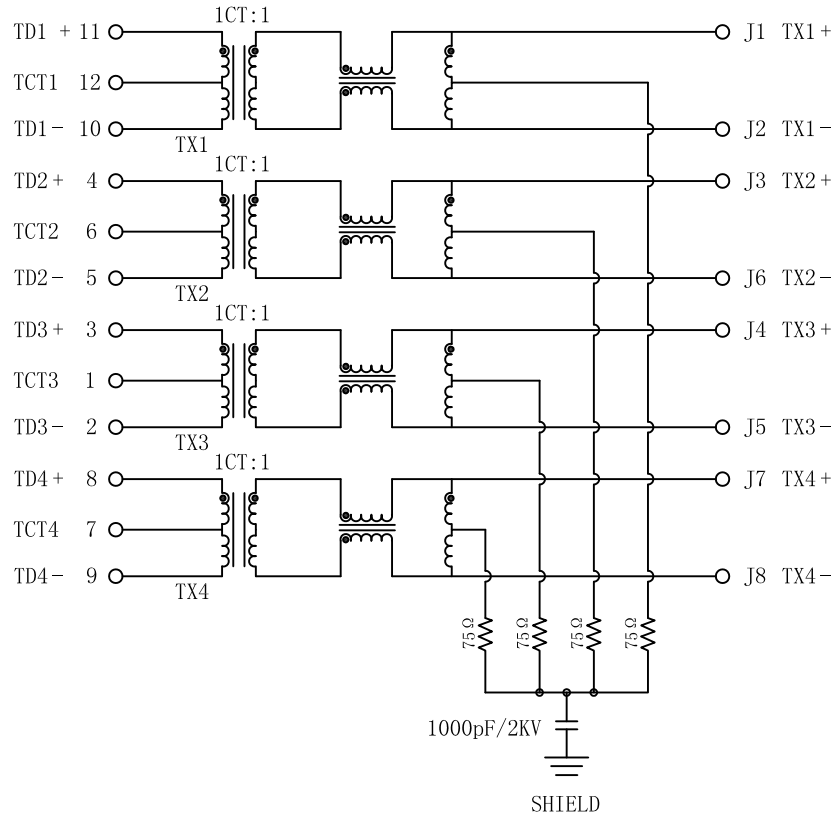


Schematic:

REV.	ECN NO.	DESCRIPTION	DATE	APPD
A	REL		2008-11-06	

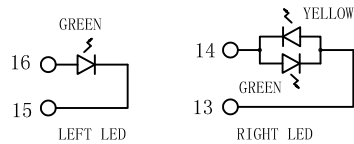
PC BOARD CONNECTIONS



RJ45 CONNECTOR

Electrical Specifications @25°C

- Turns Ratio:
 - (P11-P10) : (J1-J2) : 1 : 1 ±2%
 - (P4-P5) : (J3-J6) : 1 : 1 ±2%
 - (P3-P2) : (J4-J5) : 1 : 1 ±2%
 - (P8-P9) : (J7-J8) : 1 : 1 ±2%
- Inductance:
 - (P11-P10) ; (P4-P5) ; (P3-P2) ; (P8-P9) : 350uH MIN. @ 100KHz, 0.1V, 8mA DC BIAS
- Insertion Loss:
 - 1~100MHz: -1.0dB MAX
- Return Loss (dB MIN):
 - 1~10MHz: -20 30MHz: -16
 - 60~80MHz: -12 80~100MHz: -10
- Crosstalk (dB MIN):
 - 1~10MHz: -40 32~65MHz: -35
 - 65~100MHz: -30
- Common To Common Mode (dB MIN):
 - 1~125MHz: -30 125~500MHz: -20
- Hipot: 1500Vrms @60Hz
- Operating Temperature: 0°C ~ 70°C.

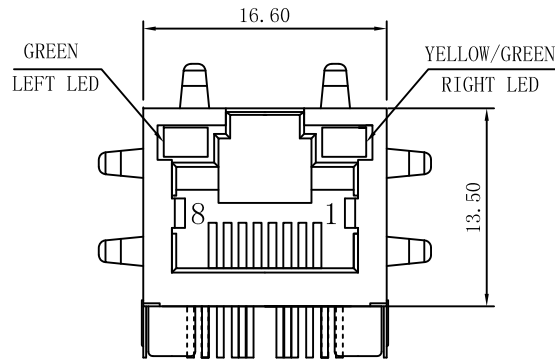


Emitting Color	λ p(nm)	VF@IF=20mA	IR @VR=5V
YELLOW	585	1.8-2.6V	10 μA max
GREEN	565	1.8-2.6V	10 μA max

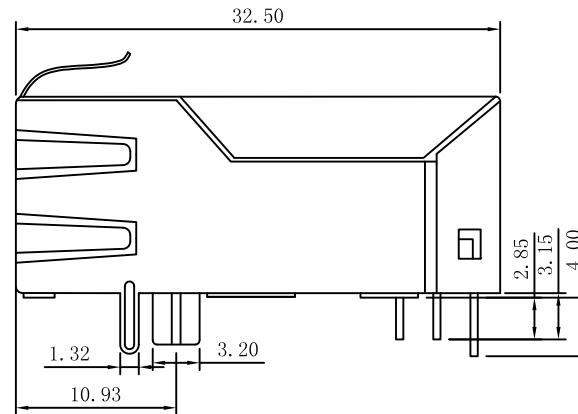
X:X ±0.30	APPD:	LINK-PP INT'L TECHNOLOGY CO., LIMITED
X:XX ±0.25	CHKD:	
X:XXX ±0.05	DR: TOM	TITLE: RJ45 Connector with 1000 Base-T Integrated Magnetics
ANGLES ±1°	UNIT: mm	PART NO.: LPJK0071A8NL
	SCALE: 2/1	SHEET: 1/2
	REV: A	DWG NO.: LP08110619

Mechanical :

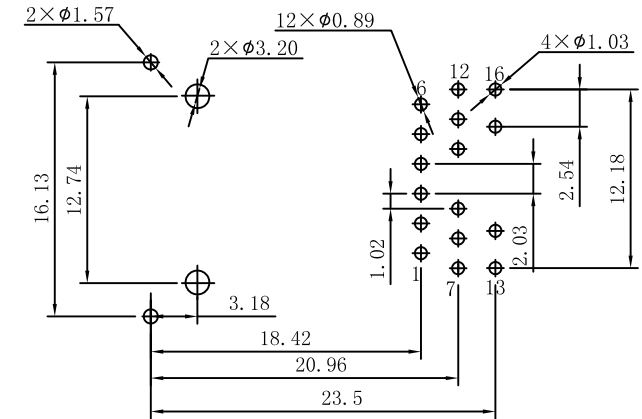
REV.	ECN NO.	DESCRIPTION	DATE	APPD
A	REL		2008-11-06	



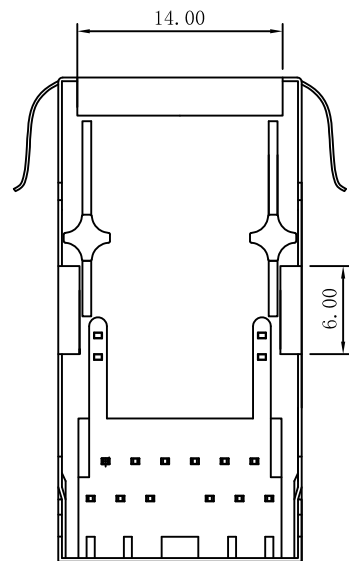
Front Side View



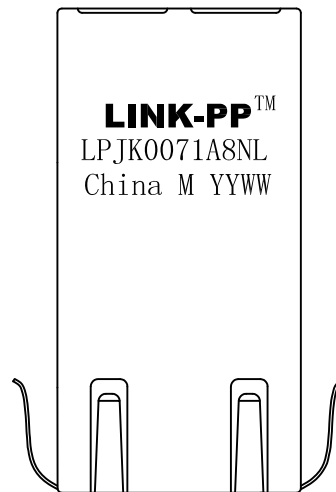
Left Side View



Suggested PCB Layout (Top View)



Bottom Side View



Top Side View

NOTES:

1. Designed to support application, such as SOHO (ADSL modems), LAN-on-Motherboard (LOM), hub and Switches.
2. Meets IEEE 802.3 specification
3. Connector Materials:
Housing: Thermoplastic UL94V-0
Contact/Shield: Copper alloy
Shield plating: Nickel
Contact plating: Gold 6 micro-inches Min. In contact area.
4. Wave peak temperature: 260°C Max, 5Sec Max.



X:X ±0.30	APPD:	LINK-PP INT'L TECHNOLOGY CO., LIMITED		
X:XX ±0.25	CHKD:	TITLE: RJ45 Connector with 1000 Base-T Integrated Magnetics		
X:XXX ±0.05	DR: TOM	PART NO.: LPJK0071A8NL		
ANGLES ±1°	UNIT: mm	DWG NO.: LP08110619		
	SCALE: 2/1	SHEET: 2/2	REV: A	