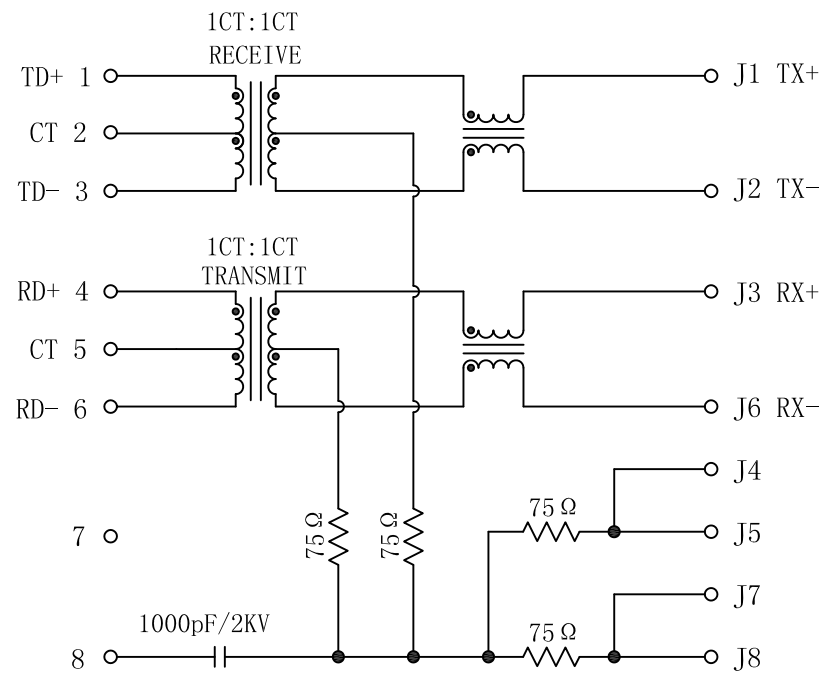


Schematic:

REV.	ECN NO.	DESCRIPTION	DATE	APPD
A	REL		17/02/2009	

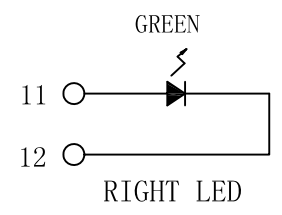
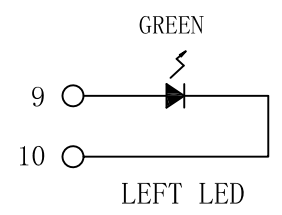
PC BOARD CONNECTIONS



RJ45 CONNECTOR

Electrical Specifications: @25°C

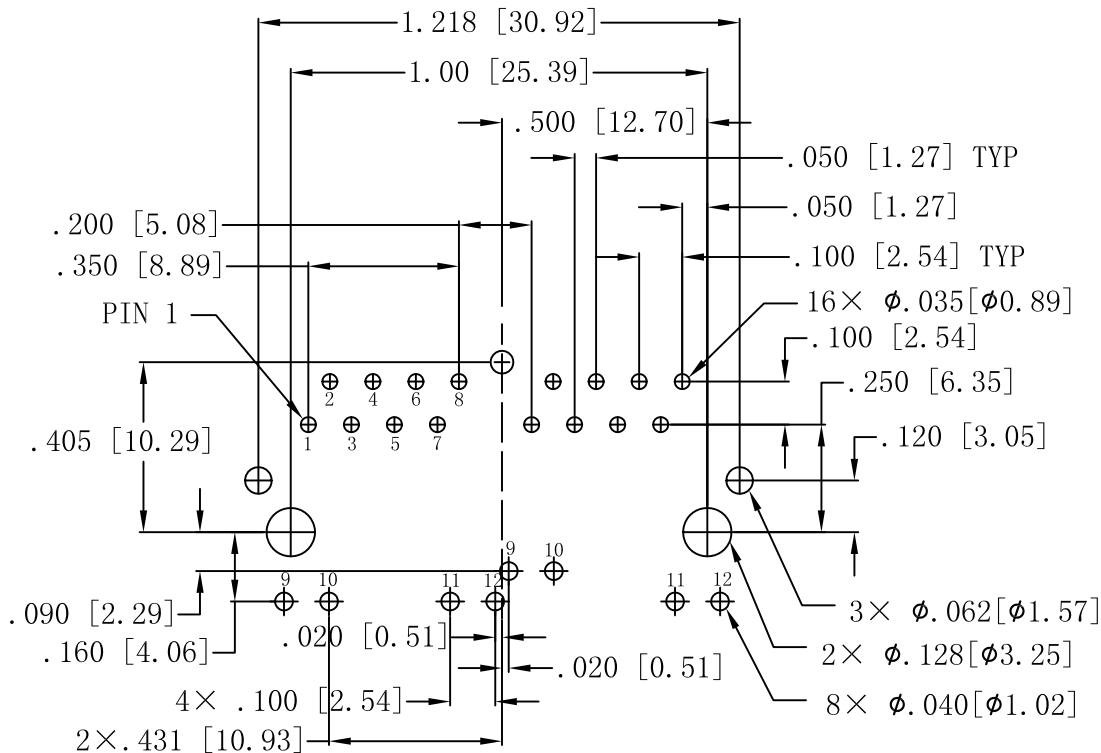
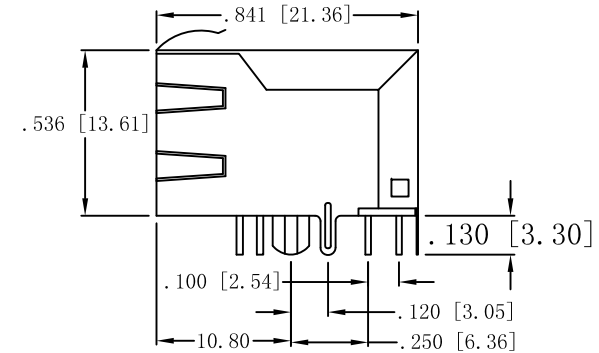
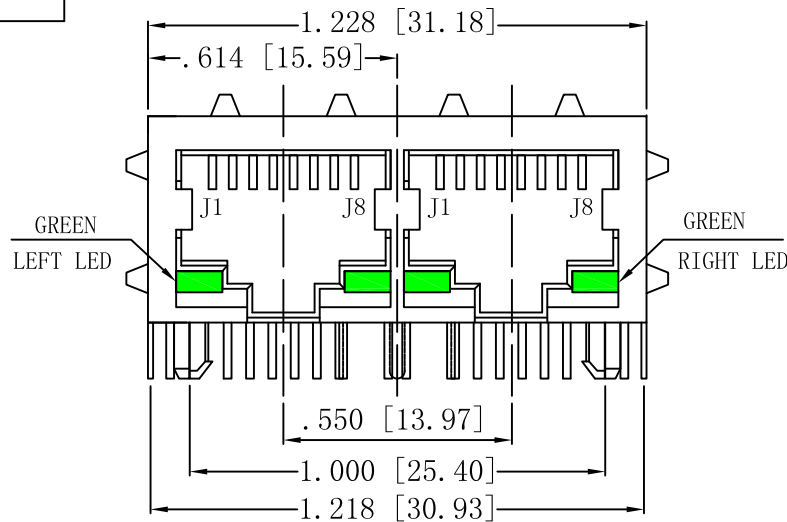
- Turns Ratio ($\pm 2\%$):
TX=1CT:1CT RX=1CT:1CT
- 0CL: 350uH Min
@100KHz, 100mV, 8mA DC Bias
- Insertion Loss:
1-100MHz:-1.2dB Max
- Return Loss(dB Min):
1-10MHz:-18 30MHz:-16
60-100MHz:-10
- Crosstalk(dB Min):
1-100MHz:-30
- Common Mode Rejection(dB Min):
1-50MHz:-30 50-130MHz:-20
- Isolation Voltage: 1500Vrms
- Operating Temperature: 0°C~70°C.



X:X	±0.20	APPD:	LINK-PP INT'L TECHNOLOGY CO., LIMITED	
X:XX	±0.10	CHKD:		
X:XXX	±0.05	DR: TOM	TITLE: RJ45 Connector With 10/100 Base-TX Integrated Magnetic	
ANGLES	±1°	UNIT: Inches/mm	PART NO.: LPJ26201AFNL	
	SCALE: 2/1	SHEET: 1/2	REV: A	DWG: LP09021726

Mechanical:

REV.	ECN NO.	DESCRIPTION	DATE	APPD
A	REL		17/02/2009	



SUGGESTED PCB LAYOUT (TOP VIEW)

NOTES:

1. Designed to support application, such as SOHO (ADSL modems), LAN-on-Motherboard (LOM), hub and Switches.
2. Meets IEEE 802.3 specification
3. Connector Materials:
 Housing: Thermoplastic UL94V-0
 Contact/Shield: Copper alloy
 Shield plating: Nickel
 Contact plating: Gold 6 micro-inches min. In contact area.
4. Wave solder tip temperature: 265°C Max
 Wave solder tip temperature time: 5 Sec Max



X:X	±0.20	APPD:	LINK-PP INT'L TECHNOLOGY CO., LIMITED	
X:XX	±0.10	CHKD:	TITLE: RJ45 Connector With 10/100 Base-TX Integrated Magnetic	
X:XXX	±0.05	DR: TOM	PART NO.: LPJ26201AFNL	
ANGLES	±1°	UNIT: Inches/mm		
	SCALE: 2/1	SHEET: 2/2	REV: A	DWG: LP09021726