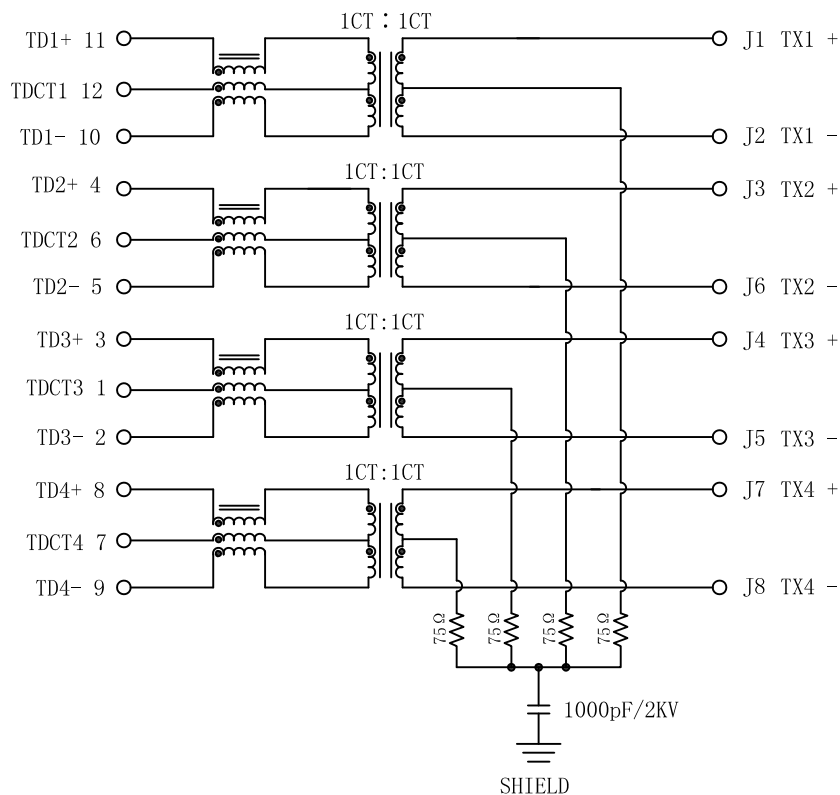


Schematic:

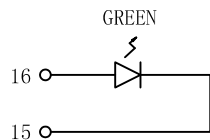
REV.	ECN NO.	DESCRIPTION	DATE	APPD
A	REL		2013/06/22	

PCB CONNECTIONS



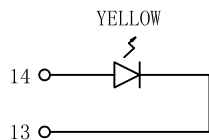
RJ45 CONNECTOR

- Electrical Specification @25°C
- Turns Ratio ($\pm 2\%$) : 1CT : 1CT
 - OCL: 350uH Min @100KHz/100mVrms
8mA DC Bias
 - Insertion Loss(dB Max):
1~100MHz:-1.2
 - Return Loss(dB Typ @100 OHMS $\pm 15\%$):
1~10MHz:-18 30MHz:-18
60~80MHz:-12 80~100MHz:-10
 - Crosstalk(dB Typ):
1~10MHz:-40 32~65MHz:-35
65~100MHz:-30
 - Common Mode Rejection:
1~125MHz:-30dB Typ
 - Hipot: 1500Vrms
 - Operating Temperature: -40°C ~ +85°C.



LEFT LED

LED POLARITY		COLOR
PIN 15	PIN 16	
-	+	GREEN



RIGHT LED

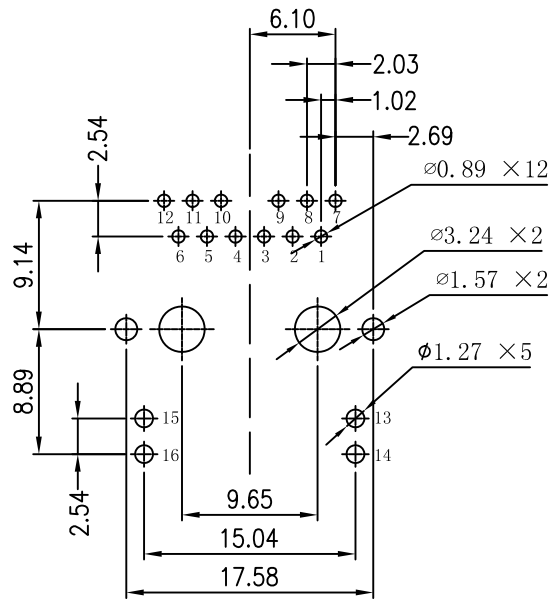
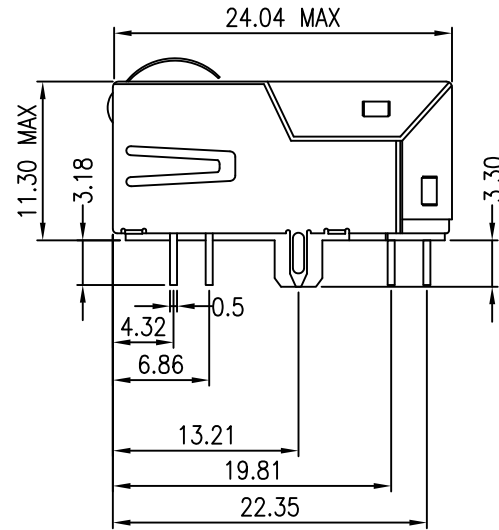
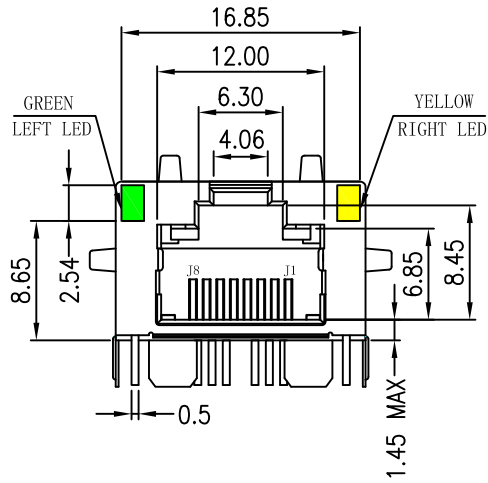
LED POLARITY		COLOR
PIN 13	PIN 14	
-	+	YELLOW



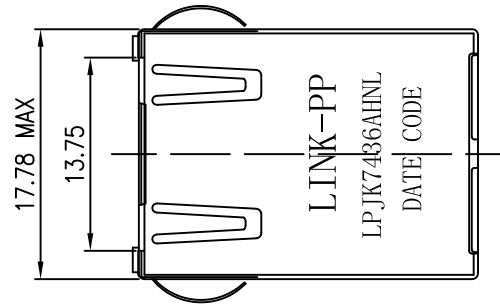
X:X	± 0.30	APPD:	LINK-PP INT'L TECHNOLOGY CO., LIMITED	
X:XX	± 0.25	CHKD:	TITLE: RJ45 Connector With 1000 Base-TX Integrated Magnetic	
X:XXX	± 0.05	DR: TOM	PART NO.: LPJK7436AHNL	
ANGLES	$\pm 1^\circ$	UNIT: mm		
	SCALE: 2/1	SHEET: 1/2	REV: A	DWG: LP13062223

Mechanical :

REV.	ECN NO.	DESCRIPTION	DATE	APPD
A	REL		2013/06/22	



SUGGESTED PCB LAYOUT(TOP VIEW)



NOTES:

1. Designed to support application, such as SOHO (ADSL modems), LAN-on-Motherboard (LOM), hub and Switches.
2. Meets IEEE 802.3 specification
3. Connector Materials:
Housing: Thermoplastic UL94V-0
Contact/Shield: Copper alloy
Shield plating: Nickel
Contact plating: Gold 6 micro-inches min. In contact area.
4. Wave peak temperature: 260°C, 5Sec.



X:X	± 0.30	APPD:	LINK-PP INT'L TECHNOLOGY CO., LIMITED	
X:XX	± 0.25	CHKD:	TITLE: RJ45 Connector With 1000 Base-TX Integrated Magnetic	
X:XXX	± 0.05	DR: TOM	PART NO.: LPJK7436AHNL	
ANGLES	$\pm 1^\circ$	UNIT: mm		
	SCALE: 2/1	SHEET: 2/2	REV: A	DWG: LP13062223