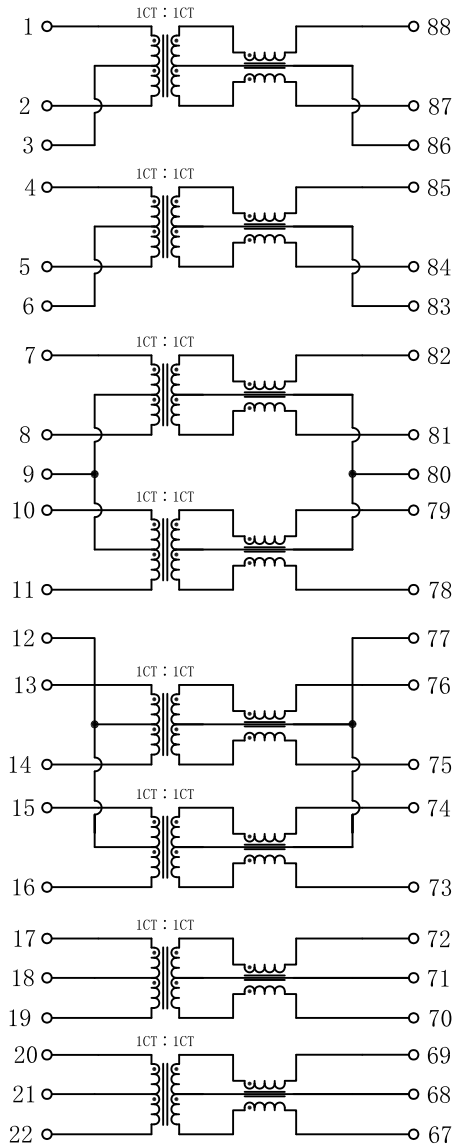


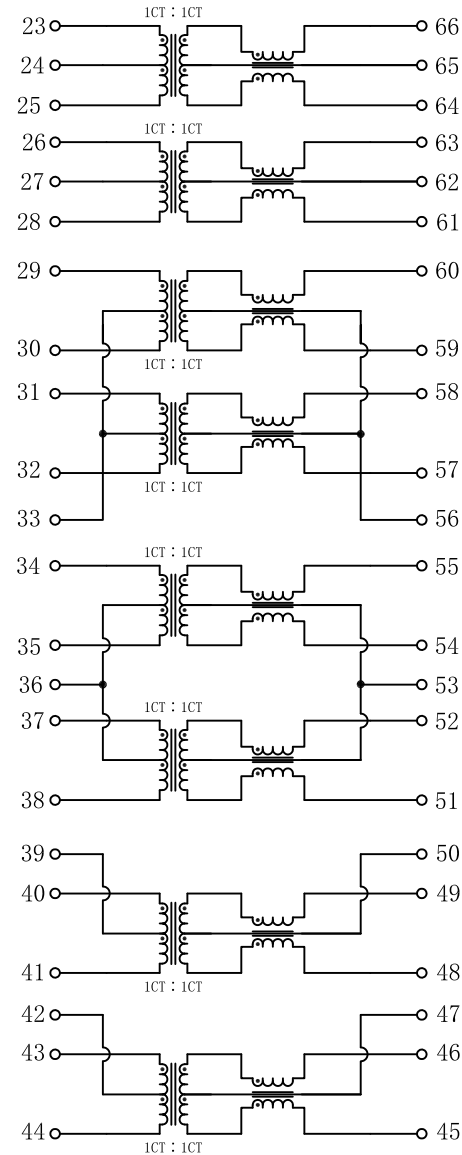
# Schematic:

REV.	ECN NO.	DESCRIPTION	DATE	APPD
A	REL		2014/11/18	

PHY SIDE RJ45 SIDE



PHY SIDE RJ45 SIDE



Electrical Specifications @25°C

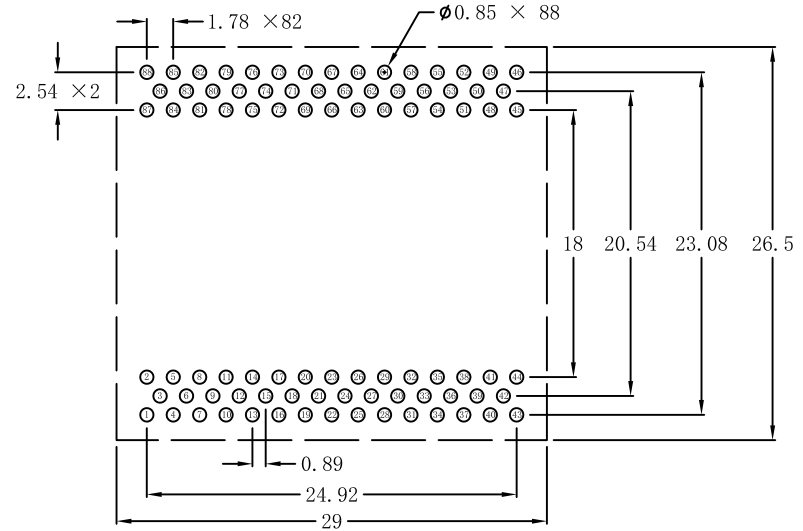
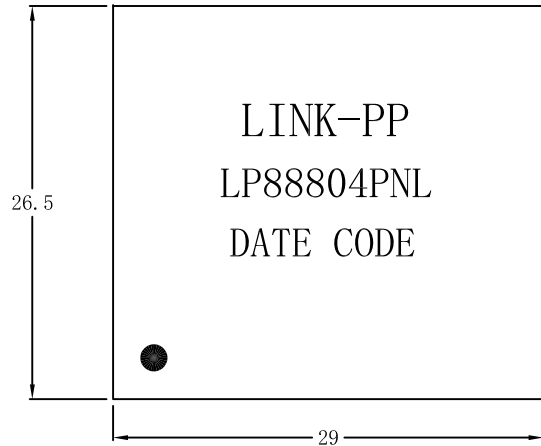
- Turns Ratio ( $\pm 5\%$ ):  
1CT:1CT
- OCL (@100KHz, 100mV, 8mA, DC Bias):  
350uH MIN
- Insertion Loss:  
1~100MHz:-1.0dB MAX
- Return Loss (dB MIN):  
1~30MHz:-18      30~60MHz:-16  
60~80MHz:-12      80~100MHz:-10
- Crosstalk:  
1~30MHz:-45dB MIN  
30~60MHz:-35dB MIN  
60~100MHz:-30dB MIN
- Common Mode Rejection:  
1~30MHz:-40dB MIN  
30~60MHz:-35dB MIN  
60~100MHz:-30dB MIN
- Hipot: 1500Vrms (or 2250VDC), 60sec
- Operating Temperature: -40°C TO +85°C
- Ability to Support 720mA.



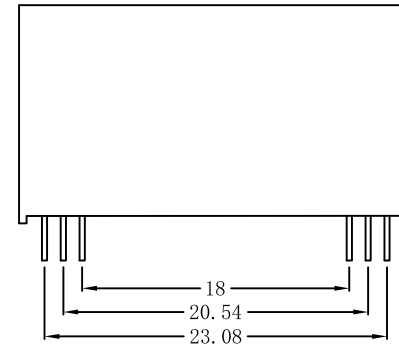
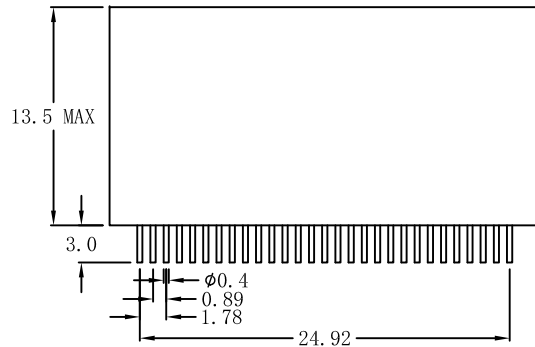
X:X	$\pm 0.35$	APPD:	LINK-PP INT'L TECHNOLOGY CO., LIMITED	
X:XX	$\pm 0.25$	CHKD:	TITLE: 10/100/1000 BASE QUAD PORT DIP TRANSFORMER FOR PoE+ APPLICATION	
X:XXX	$\pm 0.15$	DR: TOM	PART NO.: LP88804PNL	
ANGLES	$\pm 1^\circ$	UNIT: mm		
	SCALE: 2/1	SHEET: 1/2	REV: A	DWG NO.: LP14111862

# Mechanical:

REV.	ECN NO.	DESCRIPTION	DATE	APPD
A	REL		2014/11/18	



SUGGESTED PCB LAYOUT(TOP VIEW)



**NOTES:**

1. Compliant with IEEE 802.3at Standard.
2. 10/100/1000 Base Quad Port Dip Transformer
3. RoHS Compliant.
4. For RoHS part add suffix NL.
5. RoHS "NL" peak solder rating 260°C.
6. UL Certification: File Number E484635.

X:X	±0.35	APPD:	LINK-PP INT'L TECHNOLOGY CO., LIMITED	
X:XX	±0.25	CHKD:	TITLE: 10/100/1000 BASE QUAD PORT DIP TRANSFORMER FOR PoE+ APPLICATION	
X:XXX	±0.15	DR: TOM		
ANGLES	±1°	UNIT: mm	PART NO.:	LP88804PNL
	SCALE: 2/1	SHEET: 2/2	REV: A	DWG NO.: LP14111862