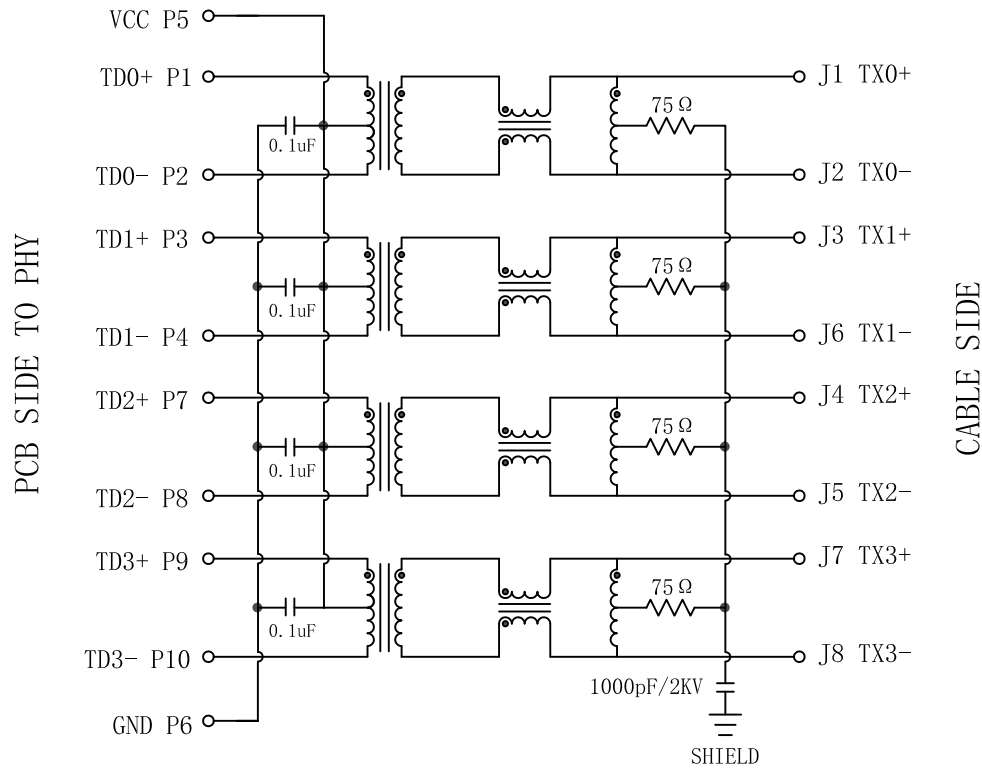


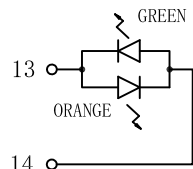
# Schematic:

| REV. | ECN NO. | DESCRIPTION | DATE       | APPD |
|------|---------|-------------|------------|------|
| A    | REL     |             | 2014/12/27 |      |



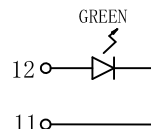
## Electrical Specifications @25°C

- Turns Ratios:  
Pri : Sec = 1CT : 1
- OCL: 350uH MIN  
@100KHz, 0.1V, 8mA DC Bias.
- Insertion Loss:  
1~100MHz: -1.0dB MAX
- Return Loss:  
1~30MHz: -18dB MIN. load 100 Ω  
30~60MHz: -16dB MIN. load 100 Ω  
60~80MHz: -12dB MIN. load 100 Ω  
60~100MHz: -10dB MIN. load 100 Ω
- Cross Talk:  
1~100MHz: -30dB MIN
- Common Mode Rejection:  
1~100MHz: -30dB MIN
- HiPot Test: 1500Vrms MIN
- Operating Temperature: 0°C TO +70°C.



LEFT LED

| LED POLARITY |        | COLOR  |
|--------------|--------|--------|
| PIN 13       | PIN 14 |        |
| +            | -      | ORANGE |
| -            | +      | GREEN  |



RIGHT LED

| LED POLARITY |        | COLOR |
|--------------|--------|-------|
| PIN 11       | PIN 12 |       |
| -            | +      | GREEN |

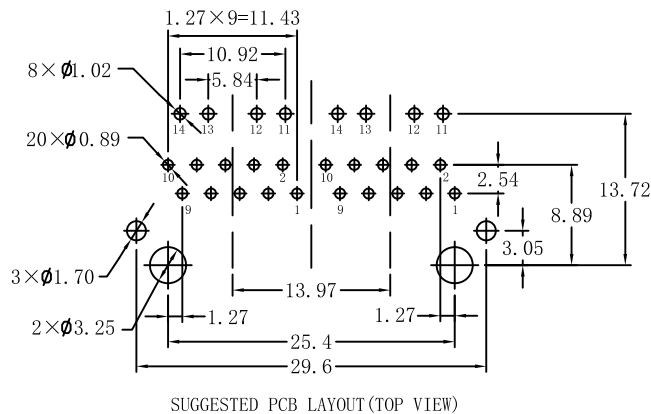
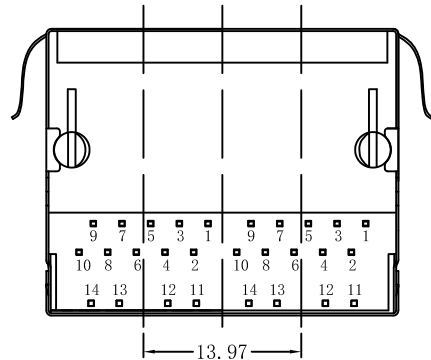
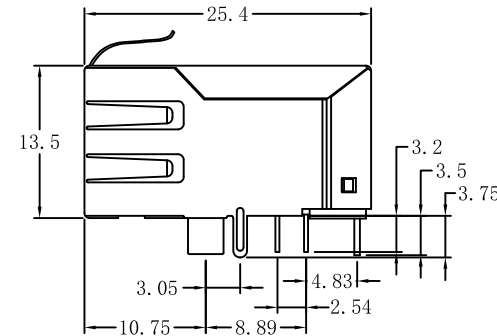
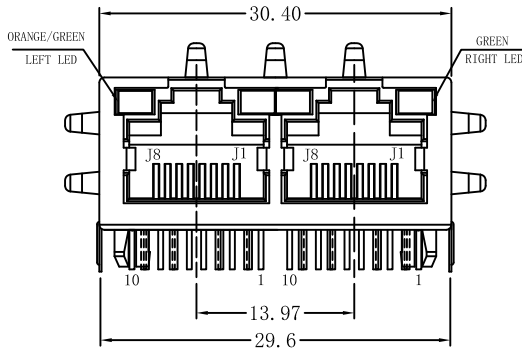


| Emitting Color | λ p(nm) | VF@IF=20mA | IR @VR=5V  |
|----------------|---------|------------|------------|
| GREEN          | 570     | 1.8~2.6V   | 10 μ A max |
| ORANGE         | 610     | 1.8~2.6V   | 10 μ A max |

|             |            |   |
|-------------|------------|---|
| X:X ±0.30   | APPD:      | LINK-PP INT'L TECHNOLOGY CO., LIMITED                           |
| X:XX ±0.25  | CHKD:      |   |
| X:XXX ±0.05 | DR: TOM    | TITLE: RJ45 1×2 Connector with 1000 Base-T Integrated Magnetics |
| ANGLES ±1°  | UNIT: mm   | PART NO.: LPJG27395A53NL  |
|             | SCALE: 2/1 | SHEET: 1/2  |
|             | REV: A     | DWG NO.: LP14122701   |

# Mechanical:

| REV. | ECN NO. | DESCRIPTION | DATE       | APPD |
|------|---------|-------------|------------|------|
| A    | REL     |             | 2014/12/27 |      |



## NOTES:

1. Designed to support application, such as SOHO (ADSL modems), LAN-on-Motherboard (LOM), hub and Switches.
2. Meets IEEE 802.3 specification
3. Connector Materials:  
Housing: Thermoplastic UL94V-0  
Contact/Shield: Copper alloy  
Shield plating: Nickel  
Contact plating: Gold 6 micro-inches min. In contact area.
4. Wave solder tip temperature: 265°C Max, 5 Sec.
5. UL Certification: File Number E484635.

|             |            |   |
|-------------|------------|---|
| X:X ±0.30   | APPD:      | LINK-PP INT'L TECHNOLOGY CO., LIMITED                           |
| X:XX ±0.25  | CHKD:      |   |
| X:XXX ±0.05 | DR: TOM    | TITLE: RJ45 1×2 Connector with 1000 Base-T Integrated Magnetics |
| ANGLES ±1°  | UNIT: mm   | PART NO.: LPJG27395A53NL  |
|             | SCALE: 2/1 | SHEET: 2/2  |
|             | REV: A     | DWG NO.: LP14122701   |