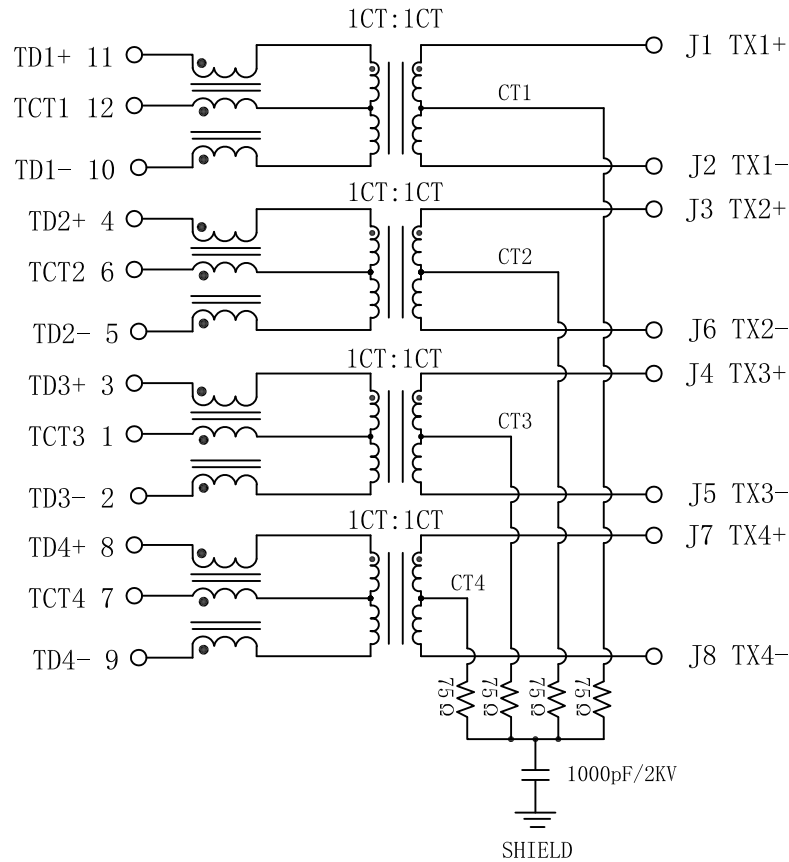


Schematic:

REV.	ECN NO.	DESCRIPTION	DATE	APPD
A	REL		2008-11-06	

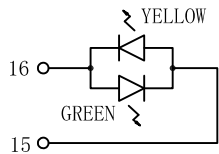
PC BOARD CONNECTIONS



RJ45 CONNECTOR

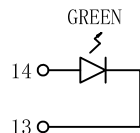
- Electrical Specifications @25°C
1. OCL(@100KHz, 100mV, 8mA DC Bias):
350uH Min
 2. Turns Ratio(±2%):
Pri : Sec = 1CT : 1CT
 3. Insertion Loss:
1~100MHz:-1.0dB Max
 4. Return Loss(dB Min):
1~10MHz:-20 ; 30MHz:-16
60~80MHz:-12 ; 80~100MHz:-10
 5. Crosstalk(dB Min):
1~10MHz:-40 ; 32~65MHz:-35
65~100MHz:-30
 6. Common Mode Rejection(dB Min):
1~125MHz:-30 ; 125~500MHz:-20
 7. Hi-Pot: 1500Vrms @60Hz
 8. Operating Temperature: 0°C~70°C.

Emitting Color	λ p(nm)	VF@IF=20mA	IR @VR=5V
GREEN	565	1.8-2.6V	10 μ A max
YELLOW	585	1.8-2.6V	10 μ A max



LEFT LED

LED POLARITY		COLOR
PIN 16	PIN 15	
+	-	GREEN
-	+	YELLOW



RIGHT LED

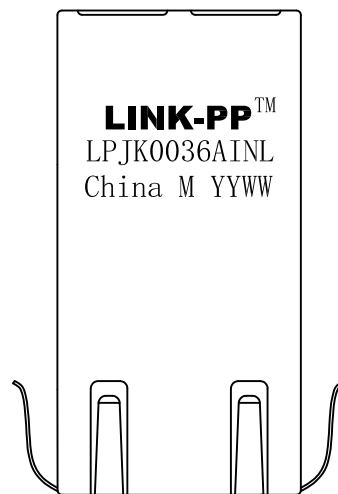
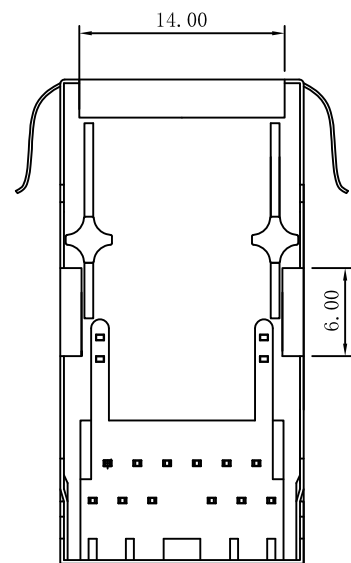
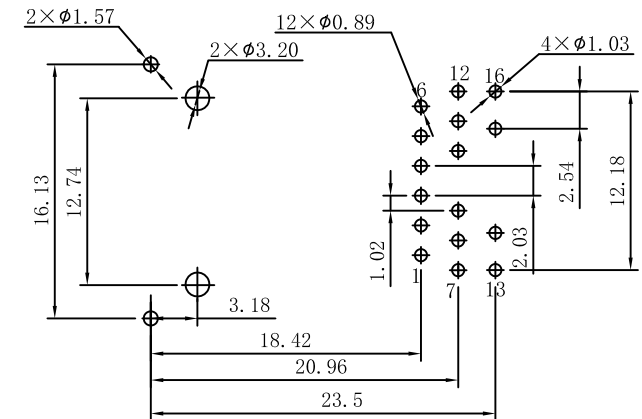
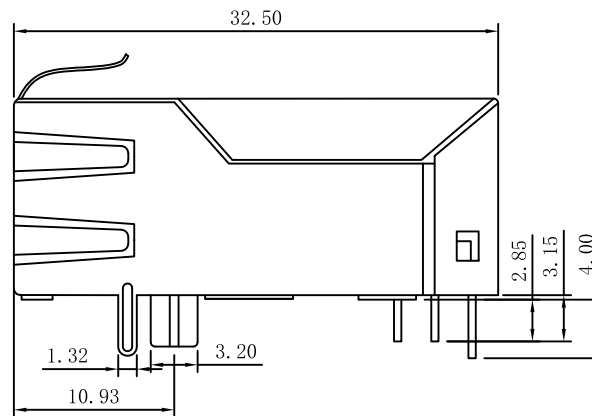
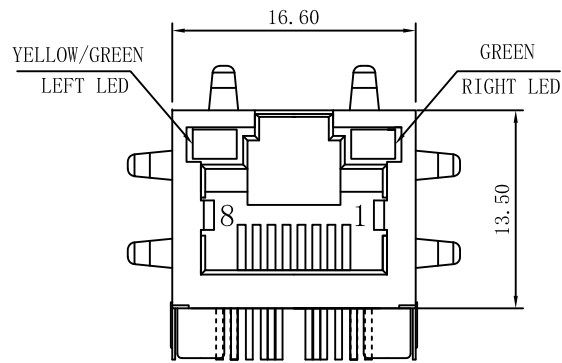
LED POLARITY		COLOR
PIN 14	PIN 13	
+	-	GREEN



X:X	±0.30	APPD:	LINK-PP INT'L TECHNOLOGY CO., LIMITED	
X:XX	±0.25	CHKD:	TITLE: RJ45 Connector with 1000 Base-T Integrated Magnetics	
X:XXX	±0.05	DR: TOM	PART NO.: LPJK0036AINL	
ANGLES	±1°	UNIT: mm	DWG NO.: LP08110655	
		SCALE: 2/1	SHEET: 1/2	REV: A

Mechanical :

REV.	ECN NO.	DESCRIPTION	DATE	APPD
A	REL		2008-11-06	



NOTES:

1. Designed to support application, such as SOHO (ADSL modems), LAN-on-Motherboard (LOM), hub and Switches.
2. Meets IEEE 802.3 specification
3. Connector Materials:
Housing: Thermoplastic UL94V-0
Contact/Shield: Copper alloy
Shield plating: Nickel
Contact plating: Gold 6 micro-inches Min. In contact area.
4. Wave peak temperature: 260°C Max, 5Sec Max.



X:X ±0.30	APPD:	LINK-PP INT'L TECHNOLOGY CO., LIMITED
X:XX ±0.25	CHKD:	
X:XXX ±0.05	DR: TOM	TITLE: RJ45 Connector with 1000 Base-T Integrated Magnetics
ANGLES ±1°	UNIT: mm	PART NO.: LPJK0036AINL
	SCALE: 2/1	SHEET: 2/2
	REV: A	DWG NO.: LP08110655

Bottom Side View

Top Side View