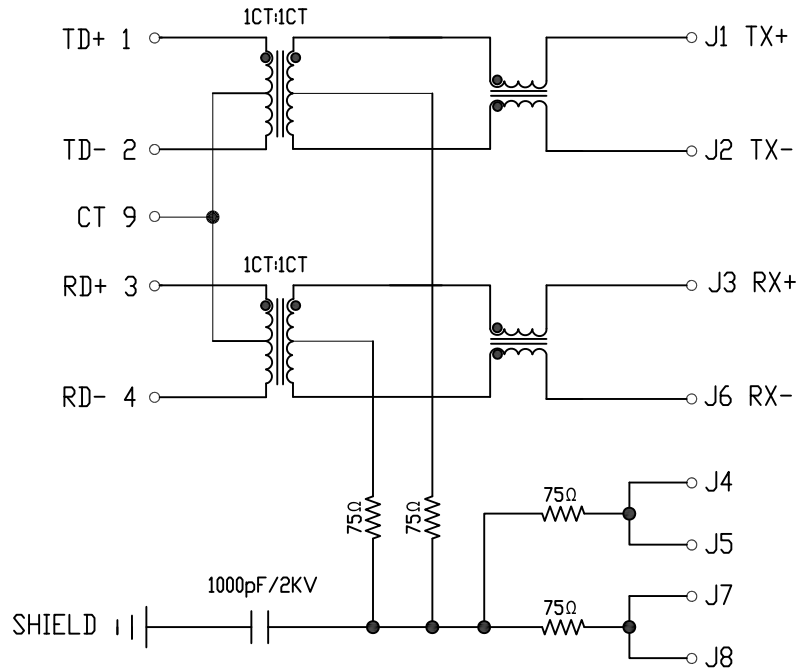


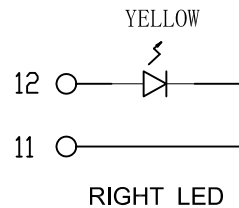
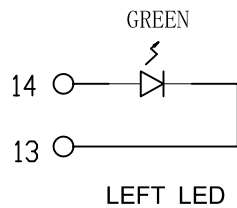
Schematic:

REV.	ECN NO.	DESCRIPTION	DATE	APPD
A	REL		2013/08/26	

PCB CONNECTIONS



RJ45 CONNECTOR



Electrical Specification @25°C

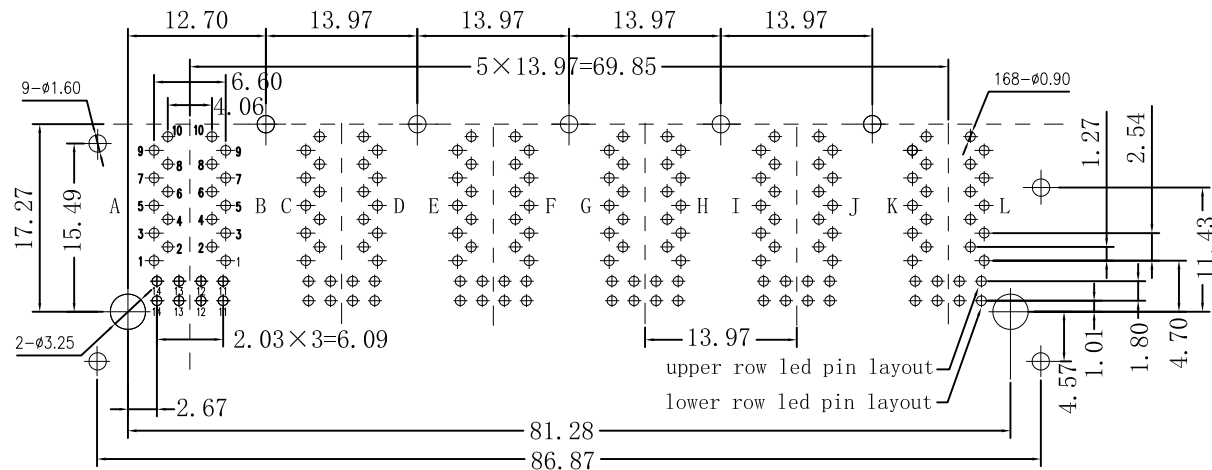
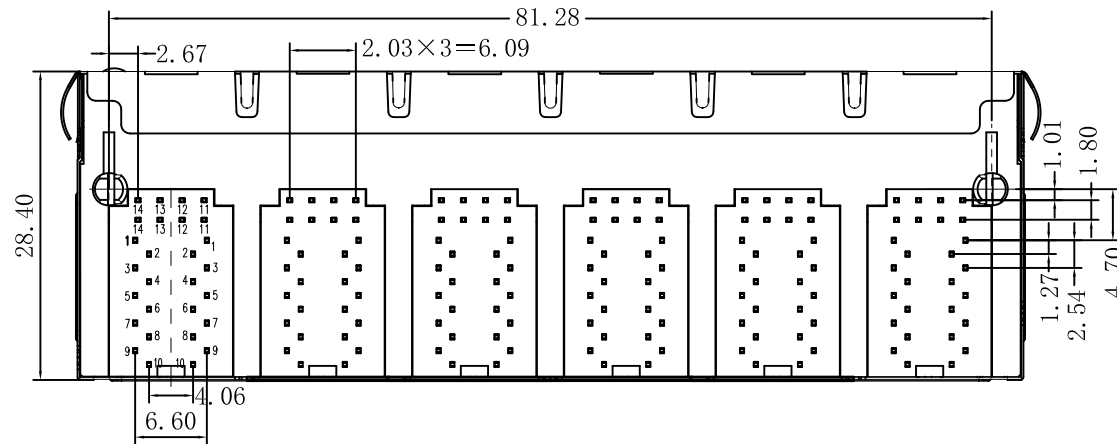
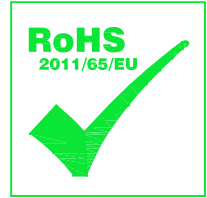
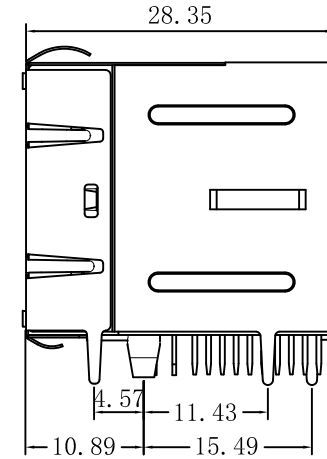
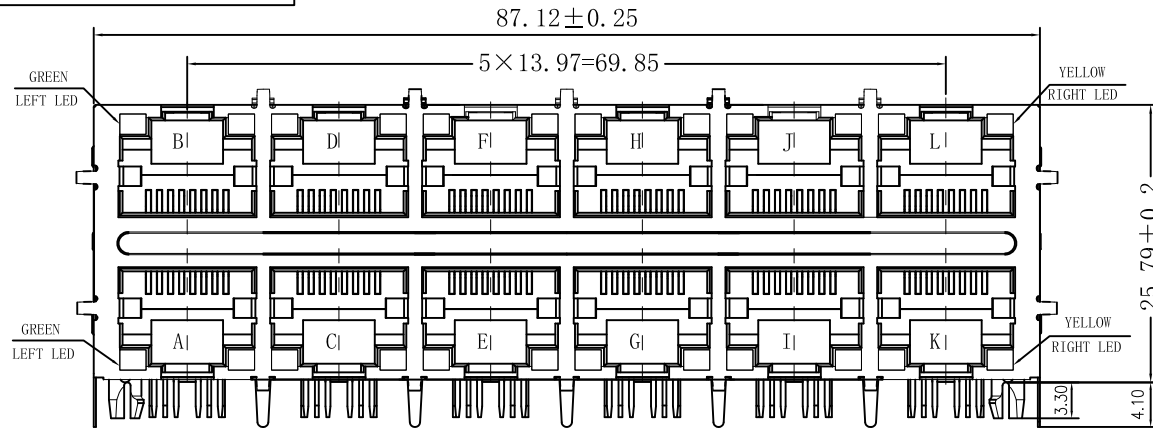
- Turns Ratio ($\pm 2\%$):
(P1-P2) : (J1-J2) = 1:1
(P3-P4) : (J3-J6) = 1:1
- Inductance: 350uH MIN
@0.1V, 0.1MHz, 8mA DC Bias
- Insertion Loss:
1-100MHz: -1.0dB max
- Return Loss:
1-30MHz: -18dB min @100 Ω
30-60MHz: -16dB min @100 Ω
60-80MHz: -12dB min @100 Ω
- Cross talk:
1-100MHz: -30dB min
- Common Mode Rejection
1-100MHz: -30dB min
- Hipot: 1500Vrms
- Operating Temperature: 0°C ~ 70°C.

Emitting Color	λ p(nm)	VF@IF=20mA	IR @VR=5V
GREEN	565	1.8~2.6V	10 μ A max
YELLOW	585	1.8~2.6V	10 μ A max

X:X	± 0.30	APPD:	LINK-PP INT'L TECHNOLOGY CO., LIMITED	
X:XX	± 0.25	CHKD:	TITLE: RJ45 Transformer & 2x6. 10/100 Base-T W/LED	
X:XXX	± 0.05	DR: TOM	PART NO: LPJ67408AHNL	
ANGLES	$\pm 1^\circ$	UNIT: mm		
	SCALE: 2/1	SHEET: 1/2	REV: A	DWG NO.: LP130821681

Mechanical :

REV.	ECN NO.	DESCRIPTION	DATE	APPD
A	REL		2013/08/26	



SUGGESTED PCB LAYOUT (TOP VIEW)

NOTES:

1. Designed to support application, such as SOHO (ADSL modems), LAN-on-Motherboard (LOM), hub and Switches.
2. Meets IEEE 802.3 specification
3. Connector Materials:
Housing: Thermoplastic UL94V-0
Contact/Shield: Copper alloy
Shield plating: Nickel
Contact plating: Gold 6 micro-inches min. In contact area.
4. Wave solder tip temperature: 265°C Max, 5 Sec.
5. UL Certification: File Number E484635.

X:X	±0.30	APPD:	LINK-PP INT'L TECHNOLOGY CO., LIMITED
X:XX	±0.25	CHKD:	
X:XXX	±0.05	DR: TOM	TITLE: RJ45 Transformer & 2×6. 10/100 Base-T W/LED
ANGLES	±1°	UNIT: mm	PART NO: LPJ67408AHNL
	SCALE: 2/1	SHEET: 2/2	REV: A DWG NO.: LP130821681