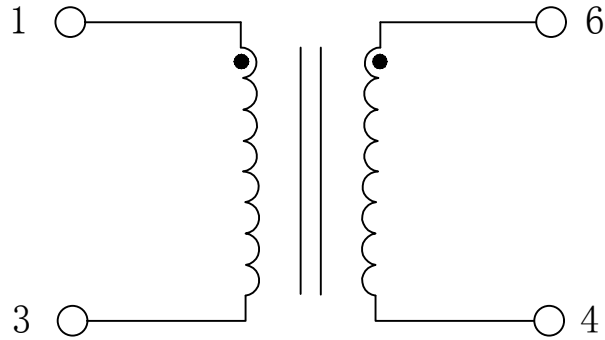


# Schematic:

REV.	ECN NO.	DESCRIPTION	DATE	APPD
A	REL		2016/08/14	



## Electrical Specification @25°C

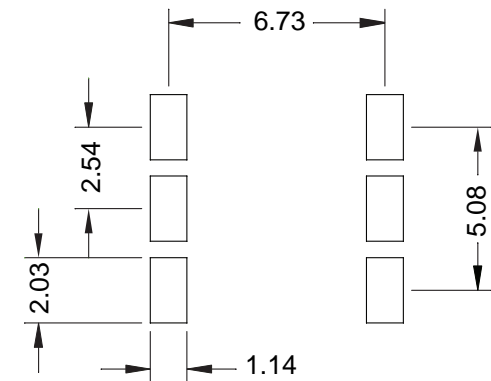
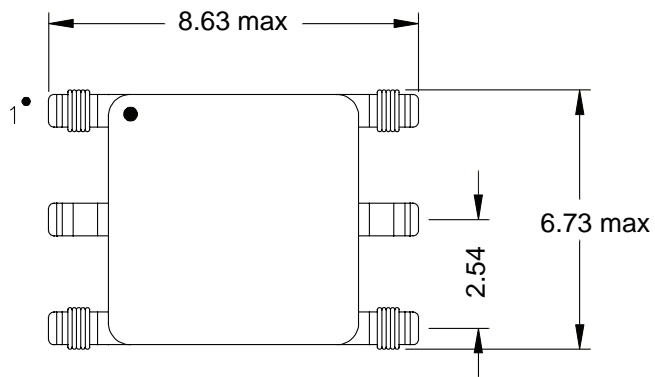
- Turns Ratio: 1:1  $\pm 2\%$
- OCL:
  - P1-3: 785uH min, @100KHz 0.1V
- DCR :
  - P1-3: 0.60 Max P4-6: 0.60 Max
- LK:
  - P1-3: 0.46uH Max, @10KHz 0.1V, short P4-6
- Hi-Pot: 1500Vrms
- Operating Temperature: 0 ~ +70 .



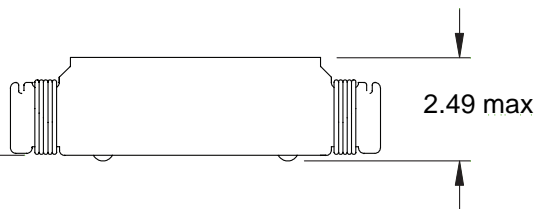
X:X	$\pm 0.30$	APPD:	LINK-PP INT'L TECHNOLOGY CO., LIMITED	
X:XX	$\pm 0.25$	CHKD:	TITLE: Transformer	
X:XXX	$\pm 0.05$	DR: James	PART NO. : LPA0608NL	
ANGLES	$\pm 1^\circ$	UNIT: mm		
	SCALE: 2/1	SHEET: 1/2	REV: A	DWG NO.: LP16081410

# Mechanical:

REV.	ECN NO.	DESCRIPTION	DATE	APPD
A	REL		2016/08/14	



**SUGGESTED PAD LAYOUT**

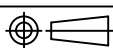


 .005  
4 SURFACES

## NOTES:

1. SMT Gate Drive Transformers
2. Flammability:UL94v-0
3. ROHS Compliant Component
4. Recommended IR Reflow peak temp of 235°C Max
5. UL Certification: File Number E484635.



X:X	±0.30	APPD:	LINK-PP INT'L TECHNOLOGY CO., LIMITED	
X:XX	±0.25	CHKD:	TITLE: Transformer	
X:XXX	±0.05	DR: James	PART NO.: LPA0608NL	
ANGLES	±1°	UNIT: mm		
	SCALE: 2/1	SHEET: 2/2	REV: A	DWG NO.: LP16081410