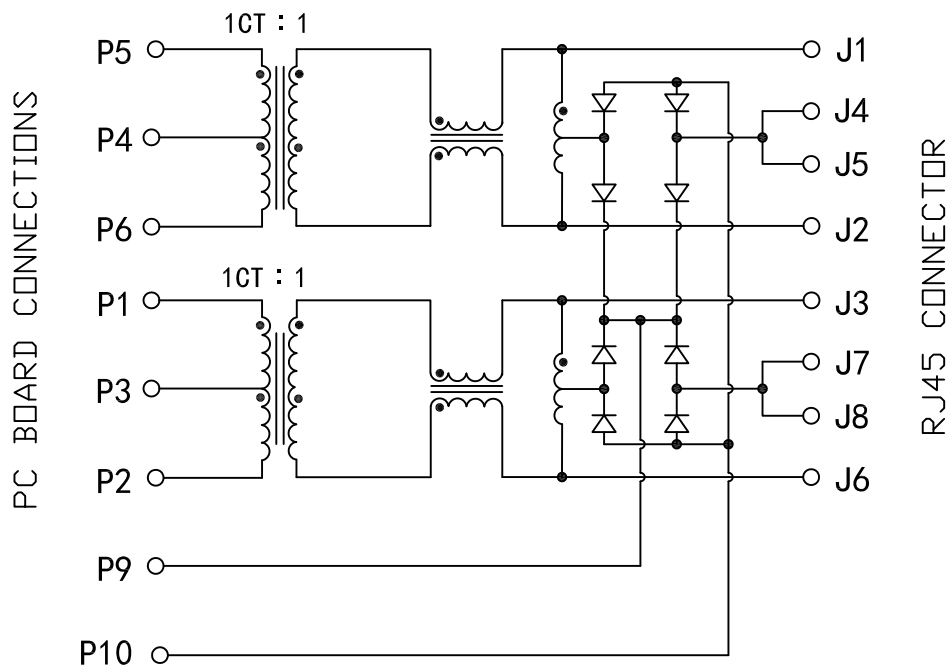


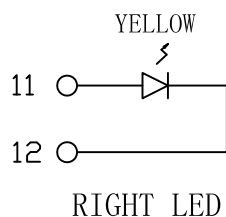
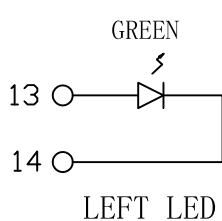
Schematic:

REV.	ECN NO.	DESCRIPTION	DATE	APPD
A	REL		2014/02/12	



Electronics Specifications: @25°C

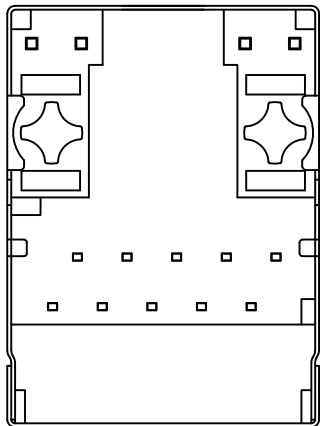
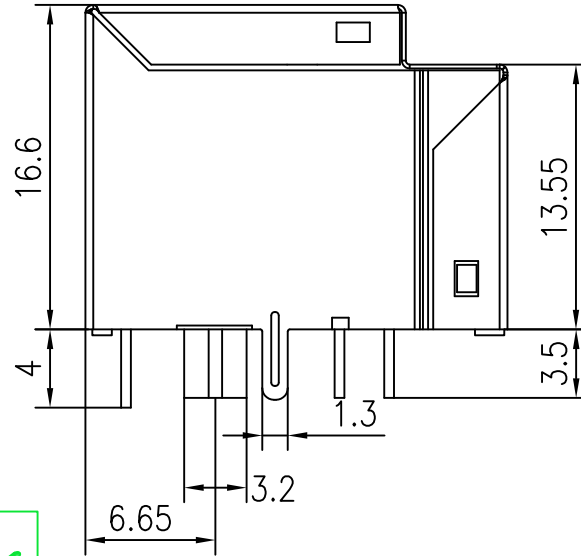
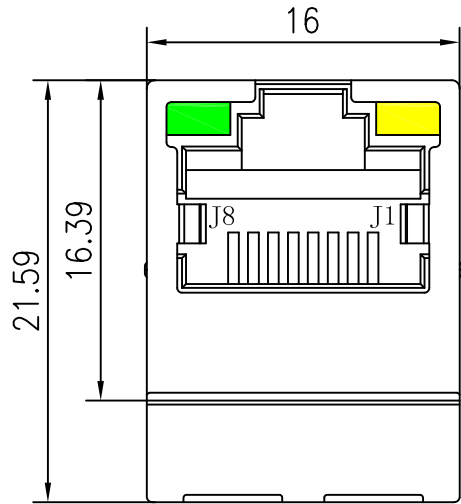
1. TURNS RATIO/POLARITY:
(P1-P2) : (J3-J6) = 1 : 1, $\pm 2\%$
(P5-P6) : (J1-J2) = 1 : 1, $\pm 2\%$
2. INDUCTANCE:
350uH MIN @100KHz, 100mV, 8mADC BIAS,
J1-J2; J3-J6, Lp.
3. DIELECTRIC RATING:
1500Vrms for 60 Sec between P1-J1 (tie
P2+P5, J2+J3)
4. INSERTION LOSS:
-1.0dB MAX @ 1MHz TO 100MHz
5. RETURN LOSS:
-18dB MIN @ 1MHz TO 30MHz
-16dB MIN @ 30MHz TO 45MHz
-14dB MIN @ 45MHz TO 60MHz
-12dB MIN @ 60MHz TO 80MHz
6. CROSS TALK:
-35dB MIN @1MHz TO 100MHz
7. COMMON MODE REJECTION:
-35dB MIN @1MHz TO 100MHz
8. OPERATING TEMPERATURE RANGE: -40°C ~ +85°C.
9. DESIGNED TO HANDLE 700mADC AND MEET 802.3 at.



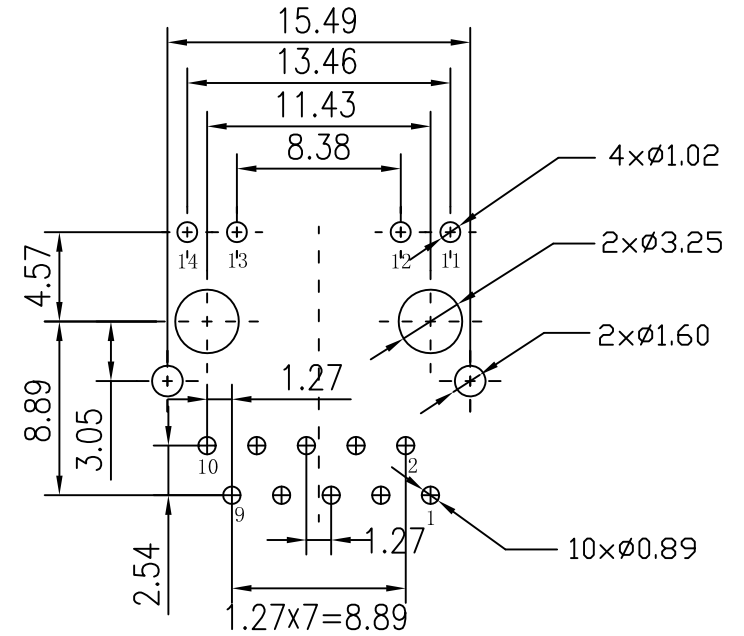
Emitting Color	λ_p (nm)	V _F @I _F =20mA	I _R @V _R =5V
GREEN	565	1.8~2.6V	10 μ A max
YELLOW	585	1.8~2.6V	10 μ A max

X:X	± 0.30	APPD:	LINK-PP LINK-PP INT'L TECHNOLOGY CO., LIMITED
X:XX	± 0.20	CHKD:	
X:XXX	± 0.10	DR: TOM	TITLE: Vertical RJ45 Connector With 10/100 Magnetic For PoE+ Application
ANGLES	$\pm 1^\circ$	UNIT: mm	PART NO.: LPJD5049BENL
	SCALE: 2/1	SHEET: 1/2	REV: A DWG NO.: LP14021201

Mechanical :



REV.	ECN NO.	DESCRIPTION	DATE	APPD
A	REL		2014/02/12	



SUGGESTED PCB LAYOUT (TOP VIEW)

NOTES:

1. Designed to support application, such as SOHO (ADSL modems), LAN-on Motherboard (LOM), hub and Switches.
2. Meets IEEE 802.3 specification
3. Connector Materials:
 Housing Material: Thermoplastic PBT+30%G.F UL94V-0
 Contact Material: Phosphor Bronze C5210R-EH Thickness=0.35mm
 Pins: Brass C2680R-H Thickness=0.35mm
 Shield: Copper alloy Brass H65Y Thickness=0.2mm
 Contact plating: Gold 6 micro-inches Min. In contact area.
4. Wave solder tip temperature: 265°C Max, 5 Sec Max

X:X	±0.30	APPD:	LINK-PP LINK-PP INT'L TECHNOLOGY CO., LIMITED	
X:XX	±0.20	CHKD:		
X:XXX	±0.10	DR: TOM	TITLE: Vertical RJ45 Connector With 10/100 Magnetic For PoE+ Application	
ANGLES	±1°	UNIT: mm	PART NO.: LPJD5049BENL	
	SCALE: 2/1	SHEET: 2/2	REV: A	DWG NO.: LP14021201