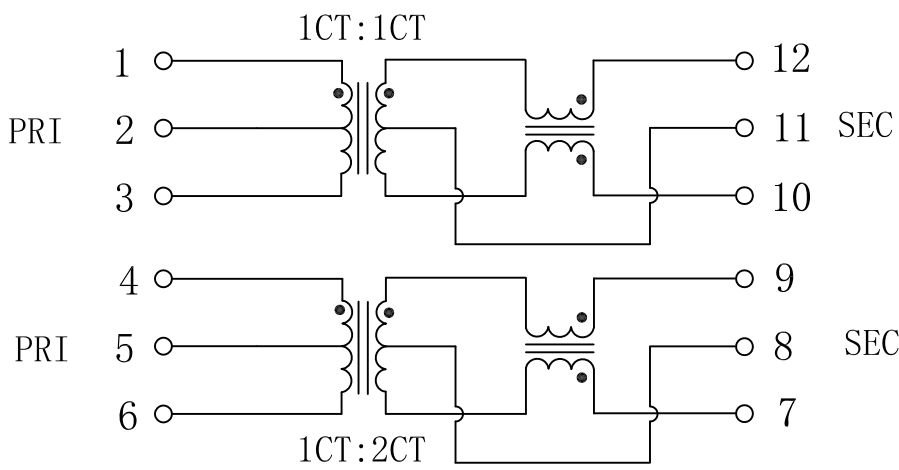


Schematic:

REV.	ECN NO.	DESCRIPTION	DATE	APPD
A	REL		2016/12/09	



Electrical Specification @25°C

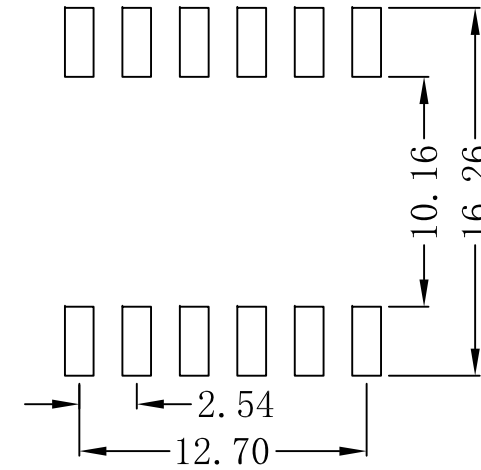
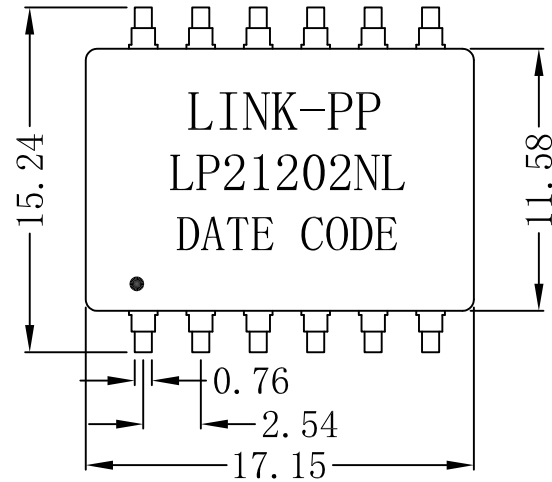
- Turns Ratio (PRI:SEC $\pm 3\%$):
 - P1-3:P12-10 1CT:1CT
 - P4-6:P9-7 1CT:2CT
- Inductance OCL (@100KHz 20mVrms):
 - P1-3, P4-6 140/25uH Typ
- Cw/w: 15pF Max
- D. C. R:
 - P1-3, P4-6 0.6Ω Max
- Isolation Hipot: 4.5kV
- Operating Temperature: 0°C ~ 70°C.



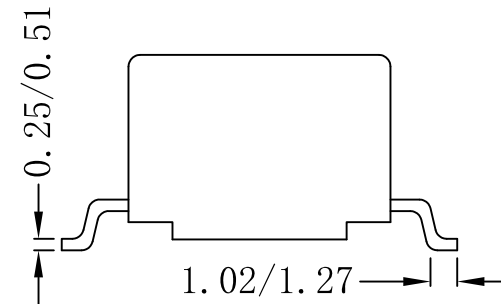
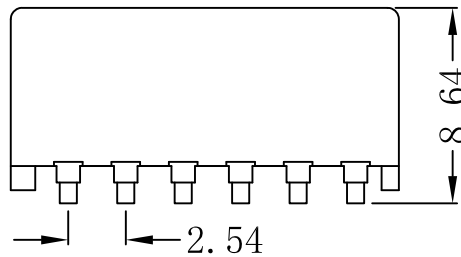
X:X	APPD:	LINK-PP INT'L TECHNOLOGY CO., LIMITED		
X:XX ±0.25	CHKD:	TITLE: 10 Base-T Single Port Transformer Modules		
X:XXX	DR: SEA	PART NO. : LP21202NL		
ANGLES ±1°	UNIT: mm	REV: A		
	SCALE: 2/1	SHEET: 1/2	DWG NO. : LP16120910	

Mechanical :

REV.	ECN NO.	DESCRIPTION	DATE	APPD
A	REL		2016/12/09	



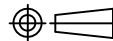
SUGGESTED PAD LAYOUT



NOTES:

1. Designed to support application, such as SOHO (ADSL modems), LAN-on-Motherboard (LOM), hub and Switches.
2. Meets IEEE 802.3 specification.
3. Maximum reflow temperature is 250°C, 5 Sec.
4. UL certification: file number E484635.



X:X	APPD:	LINK-PP INT'L TECHNOLOGY CO., LIMITED		
X:XX ±0.25	CHKD:	TITLE: 10 Base-T Single Port Transformer Modules		
X:XXX	DR: SEA	PART NO. : LP21202NL		
ANGLES ±1°	UNIT: mm	REV: A		
	SCALE: 2/1	SHEET: 2/2	DWG NO. : LP16120910	