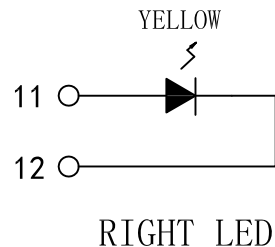
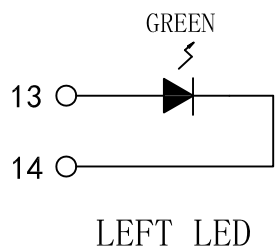
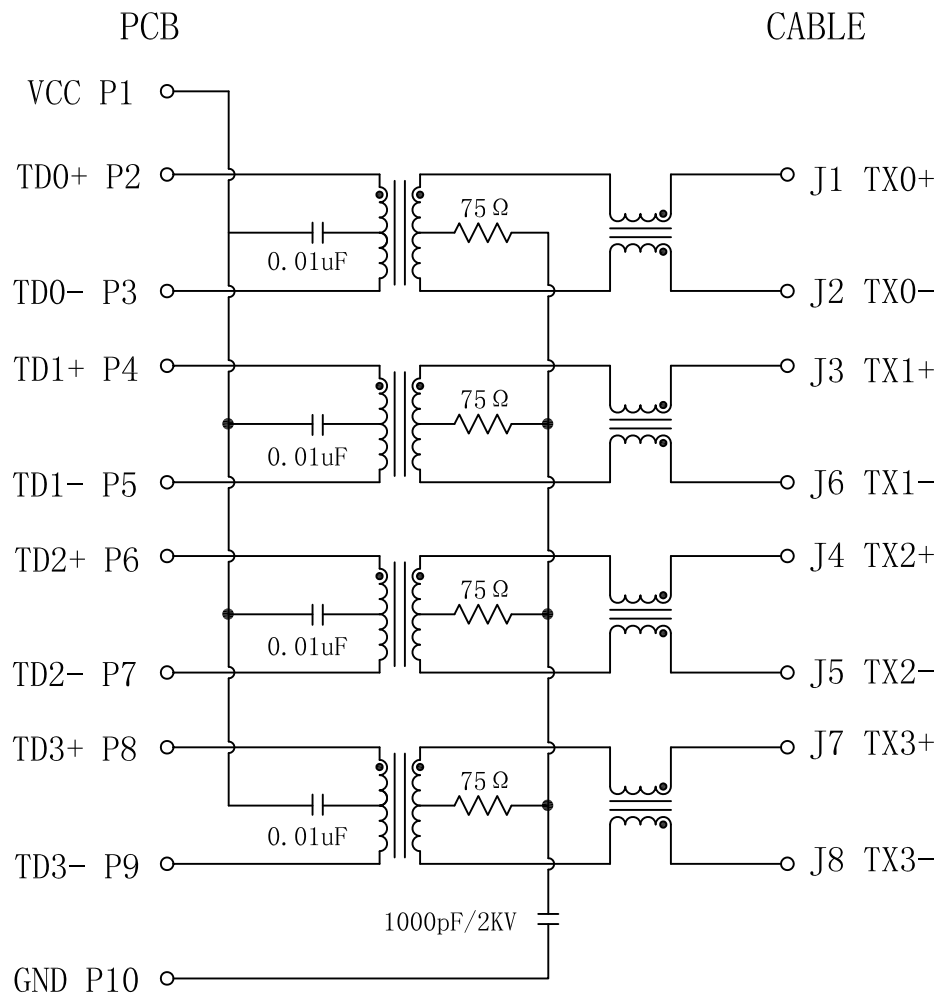


Schematic:

REV.	ECN NO.	DESCRIPTION	DATE	APPD
A	REL		2014/10/16	



ELECTRICAL SPECIFICATIONS @25°C

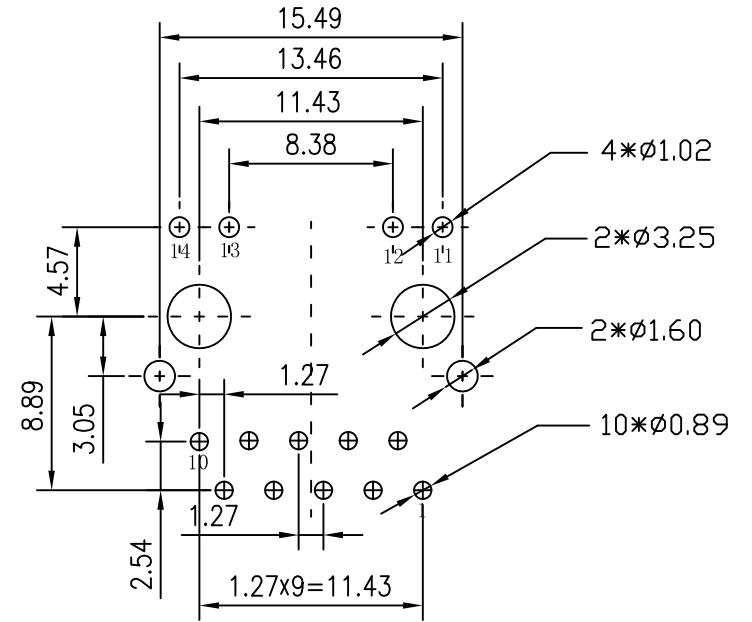
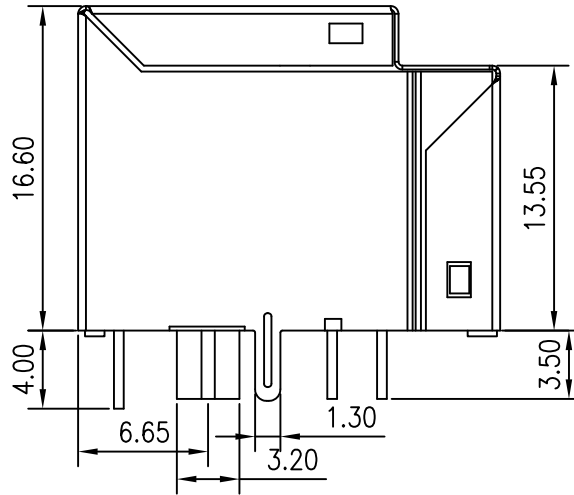
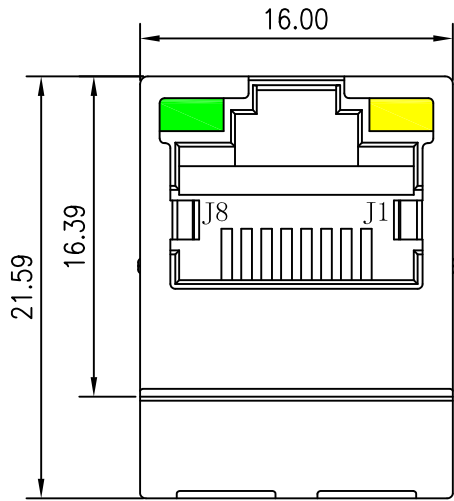
- Turn Ratio($\pm 2\%$):
1CT : 1CT
- Inductance OCL: 350uH Min
@100KHz, 0.1V, 8mA DC Bias
- Insertion Loss:
-0.5dB Max @ 1-65MHz
-0.8dB Max @ 65-100MHz
-1.2dB Max @ 100-125MHz
- Return Loss:
-16dB Min. (Load 100 OHM) @ 1-30MHz
-13.5dB Min. (Load 100 OHM) @ 30-40MHz
-11.5dB Min. (Load 100 OHM) @ 40-50MHz
-10dB Min. (Load 100 OHM) @ 60-80MHz
- Cross talk:
-30dB MIN @ 1-100MHz
- Common Mode Rejection:
-30dB MIN @ 1-100MHz
- Hipot Test: 1500Vrms MIN
- Operating Temperature : -40°C TO +85°C

Emitting Color	λ p(nm)	VF@IF=20mA	IR @VR=5V
GREEN	565	1.8~2.6V	10 μ A max
YELLOW	585	1.8~2.6V	10 μ A max

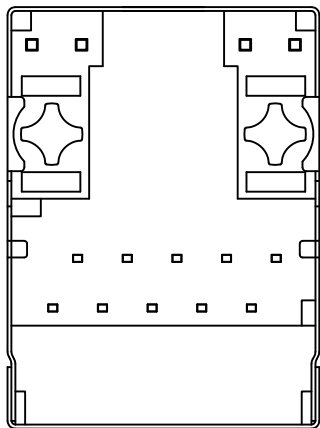
X:X	± 0.30	APPD:	LINK-PP INT'L TECHNOLOGY CO., LIMITED	
X:XX	± 0.25	CHKD:	TITLE: Vertical RJ45 Connector With 1000 Magnetic	
X:XXX	± 0.05	DR: TOM	PART NO.: LPJD4743BENL	
ANGLES	$\pm 1^\circ$	UNIT: mm		
	SCALE: 2/1	SHEET: 1/2	REV: A	LP14111318

Mechanical :

REV.	ECN NO.	DESCRIPTION	DATE	APPD
A	REL		2014/10/16	



SUGGESTED PCB LAYOUT (TOP VIEW)



NOTES:

1. Designed to support application, such as SOHO (ADSL modems), LAN-on-Motherboard (LOM), hub and Switches.
2. Meets IEEE 802.3 specification
3. Connector Materials:
Housing: Thermoplastic UL94V-0
Contact/Shield: Copper alloy
Shield plating: Nickel
Contact plating: Gold 6 micro-inches min. In contact area.
4. Wave solder tip temperature: 260°C, 5 Sec Max.

X:X	±0.30	APPD:	LINK-PP INT'L TECHNOLOGY CO., LIMITED
X:XX	±0.25	CHKD:	
X:XXX	±0.05	DR: TOM	TITLE: Vertical RJ45 Connector With 1000 Magnetic
ANGLES	±1°	UNIT: mm	PART NO.: LPJD4743BENL
	SCALE: 2/1	SHEET: 2/2	REV: A DWG NO.: LP14111318