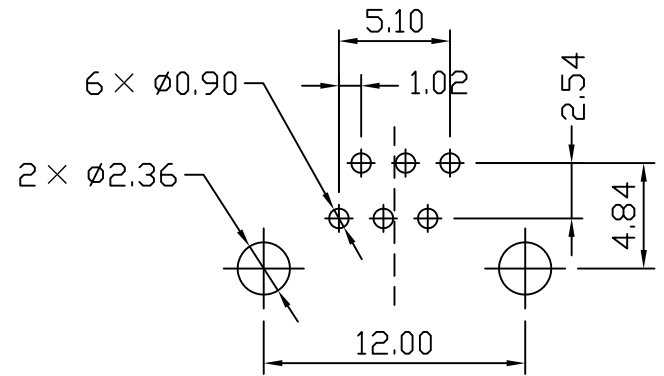
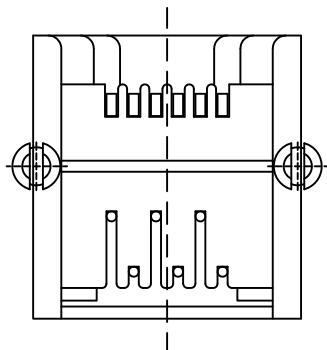
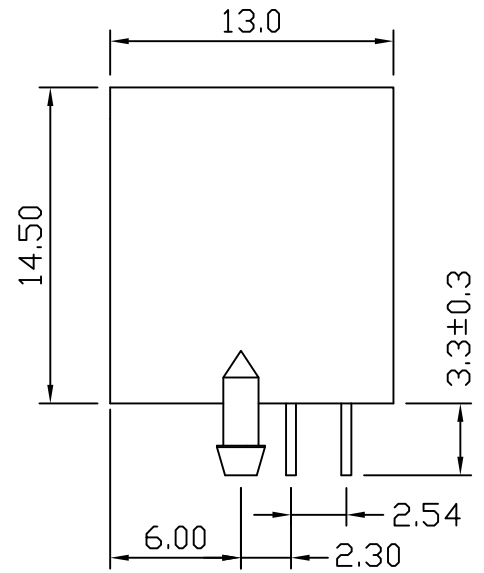
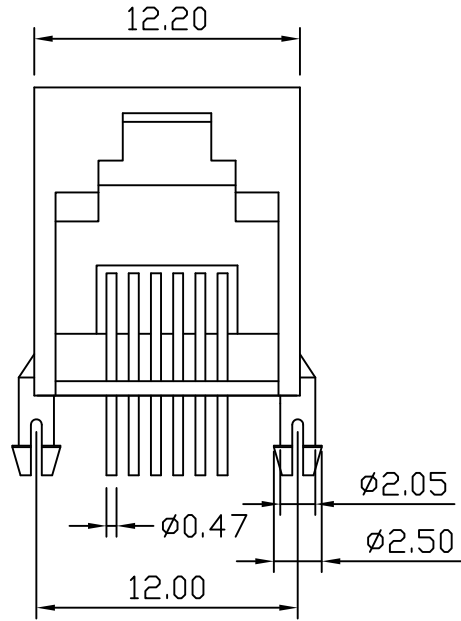


Mechanical:

REV.	ECN NO.	DESCRIPTION	DATE	APPD
A	REL		2011/12/14	



PC Board Layout (Top View)

MATERIAL:

1. HOUSING : PA46, UL-94V-0, COLOR: BLACK
2. CONTACT WIRE : 0.46MM DIAMETER PHOSPHOR BRONZE
OPTIONAL GOLD PLATING OVER NICKEL
3. DURABILITY: 1000 MATING CYCLES MINI

ELECTRICAL:

1. CURRENT RATING : 1.5A
2. VOLTAGE RATING : 125VACRMS
3. CONTACT RESISTANCE : 20MΩ MAX
4. INSULATION RESISTANCE : 500MΩ MIN @500VDC
5. WITHSTANDING VOLTAGE : 1000V AC FOR 1min.
6. GOLD PLATING:
(GOLD FLASH; 1.5; 3; 6; 15; ; 30; 50) U" INCH
7. (1) STORAGE: -40°C to +85°C
(2) OPERATION: -40°C to +85°C
(3) WAVE SOLDER TEMPERATURE: 265°C, 5~10 SEC.



X:X ±0.30	APPD:	LINK-PP INT'L TECHNOLOGY CO., LIMITED		
X:XX ±0.25	CHKD:	TITLE:		
X:XXX ±0.10	DR: TOM	RJ12 1×1 CONNECTOR (6P 6C)		
ANGLES ±1°	UNIT: mm	PART NO. : LPJE8014NNL		
	SCALE: 2/1	SHEET: 1/1	REV: A	DWG NO. : LP11121411