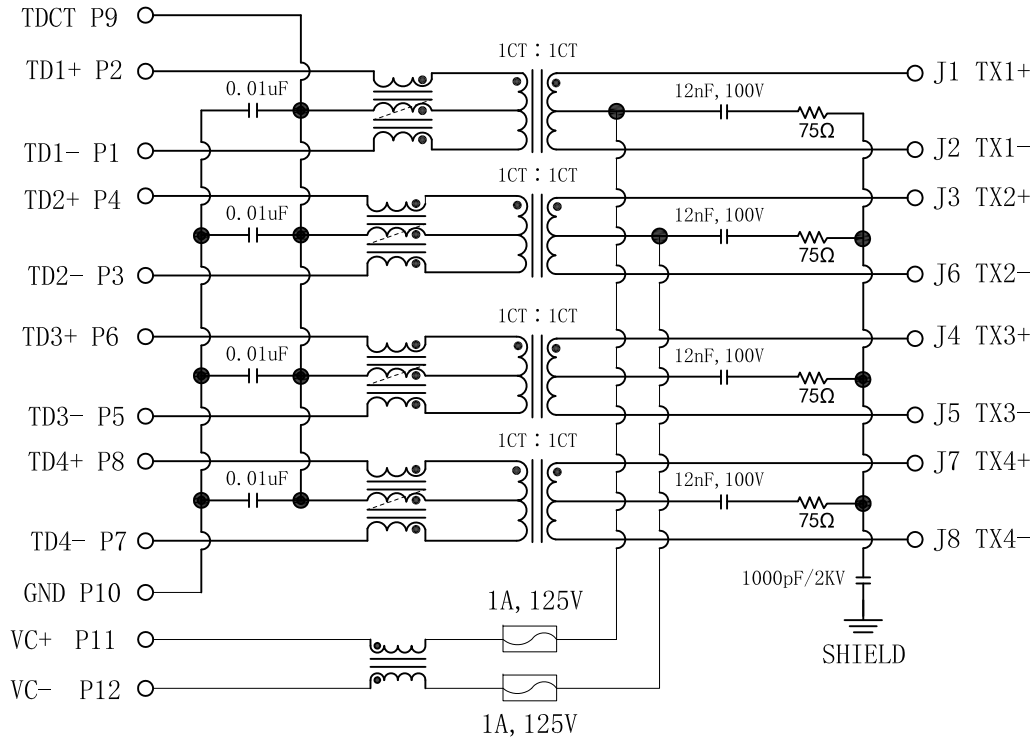


Schematic:

REV.	ECN NO.	DESCRIPTION	DATE	APPD
A	REL		2017/10/12	

PC BOARD CONNECTIONS



RJ45 CONNECTOR

Electrical Specifications @25°C

- Turns Ratio ($\pm 2\%$): Pri : Sec = 1CT : 1CT
- OCV: 350uH Min
@100KHz, 100mVrms, 8mA DC Bias (0°C ~ 70°C).
- Insertion Loss (dB Max):

0.1-1MHz: -1.1	1-65MHz: -0.5
65-100MHz: -0.8	100-125MHz: -1.2
- Return Loss (dB Min @100Ω $\pm 15\%$):

0.5-40MHz: -18
40-100MHz: -12+20LOG(f/80MHz)
- Crosstalk:

1-100MHz: -30dB Min

- CM to CM Rej:

0.1-100MHz: -30dB Min

- CM to DM Rej:

0.1-100MHz: -35dB Min

- Balanced DC Line Current:

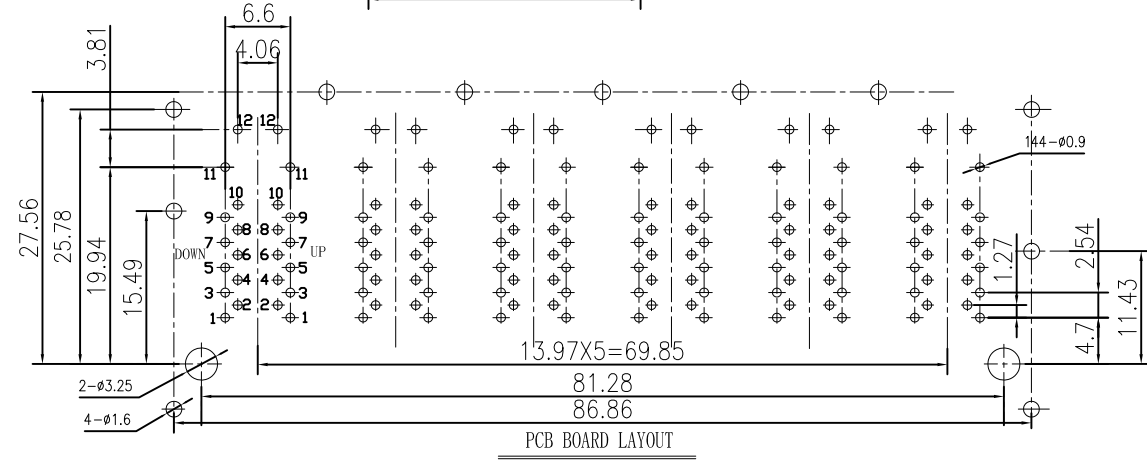
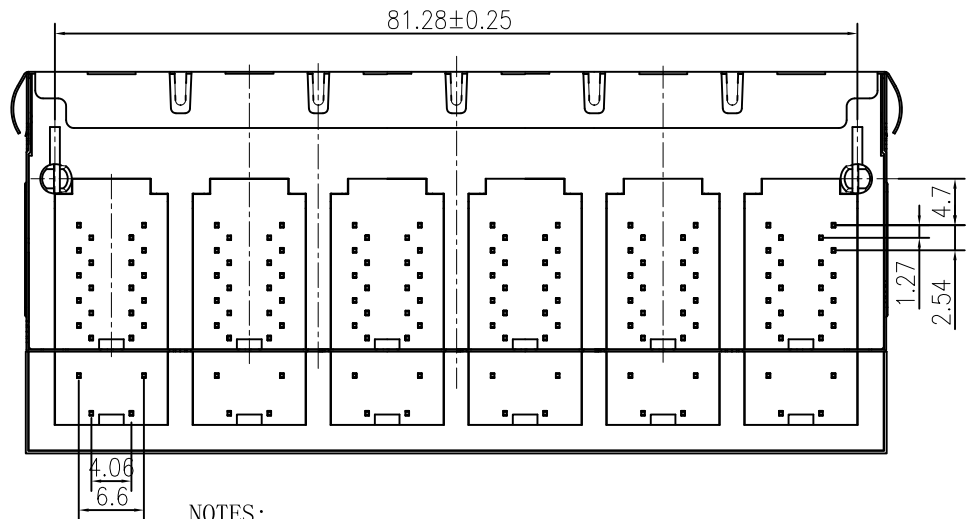
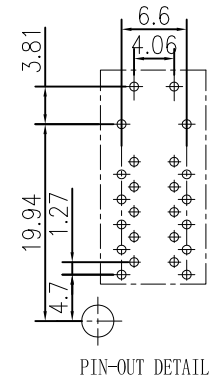
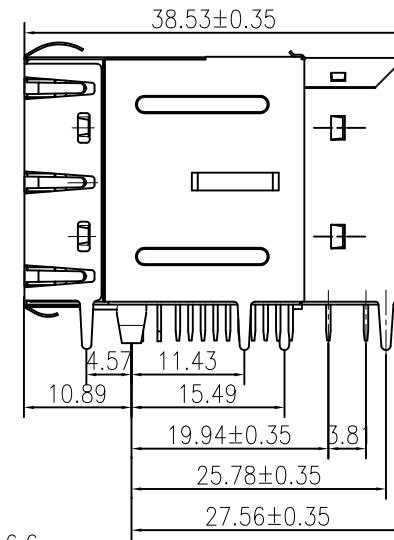
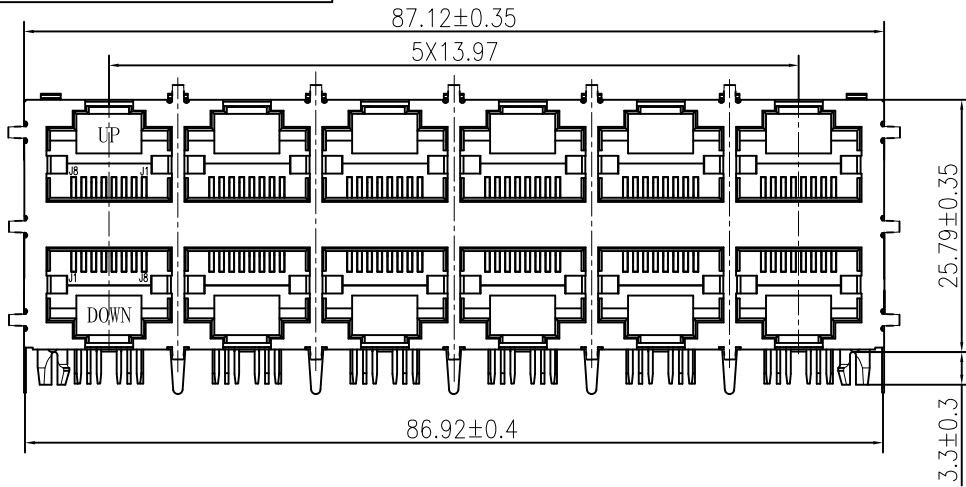
350mA Max @57 VDC Continuous
500mA Max @57 VDC For 200 Milliseconds
- Hipot: 1500Vac 60s or 2250Vdc 60s.
- Operating Temperature: 0°C ~ 70°C.



X:X	± 0.30	APPD:	LINK-PP LINK-PP INT'L TECHNOLOGY CO., LIMITED
X:XX	± 0.25	CHKD:	
X:XXX	± 0.05	DR: TOM	TITLE: RJ45 .Transformer.1000 Base-T. 2x8 Port For PoE Application
ANGLES	$\pm 1^\circ$	UNIT: mm	PART NO.: LPJG87081CNL
	SCALE: 2/1	SHEET: 1/2	REV: A
			DWG NO.: LP17101201

Mechanical :

REV.	ECN NO.	DESCRIPTION	DATE	APPD
A	REL		2017/10/12	



NOTES:

1. Designed to support application, such as SOHO (ADSL modems), LAN-on-Motherboard (LOM), hub and Switches.
2. Meets IEEE 802.3af specification
3. Connector Materials:
Housing: Thermoplastic UL94V-0
Contact/Shield: Copper alloy
Shield plating: Nickel
Contact plating: Gold 6 micro-inches min. In contact area.
4. Wave solder tip temperature: 265°C Max, 5 Sec Max.
5. UL Certification: File Number E484635.



X:X	±0.30	APPD:	LINK-PP LINK-PP INT'L TECHNOLOGY CO., LIMITED
X:XX	±0.25	CHKD:	
X:XXX	±0.05	DR: TOM	TITLE: RJ45 .Transformer. 1000 Base-T. 2×6 Port For PoE Application
ANGLES	±1°	UNIT: mm	PART NO. : LPJG67081CNL
	SCALE: 2/1	SHEET: 2/2	REV: A DWG NO. : LP17101202