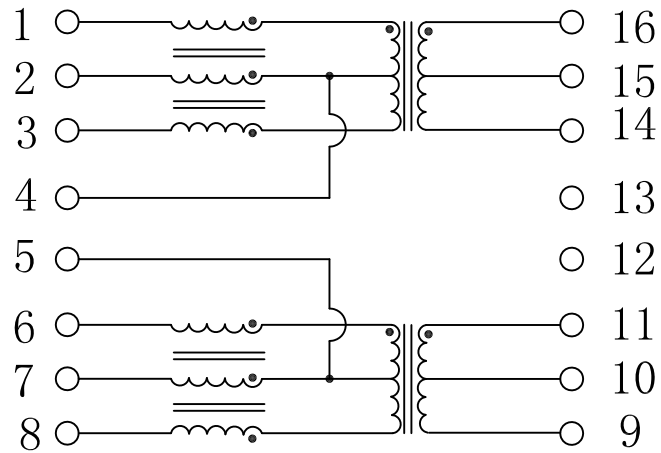


Schematic:

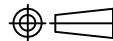
REV.	ECN NO.	DESCRIPTION	DATE	APPD
A	REL		2016/02/25	



Electrical Specifications @25°C

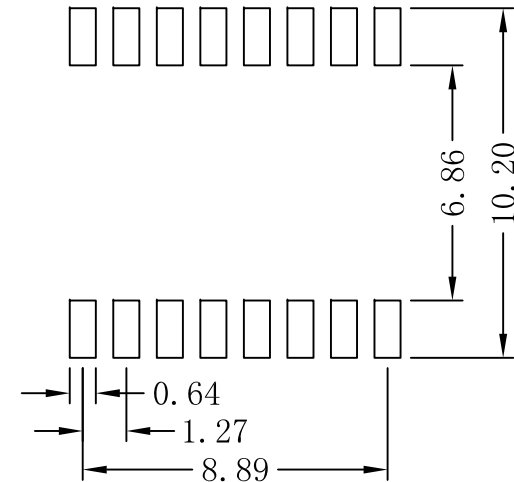
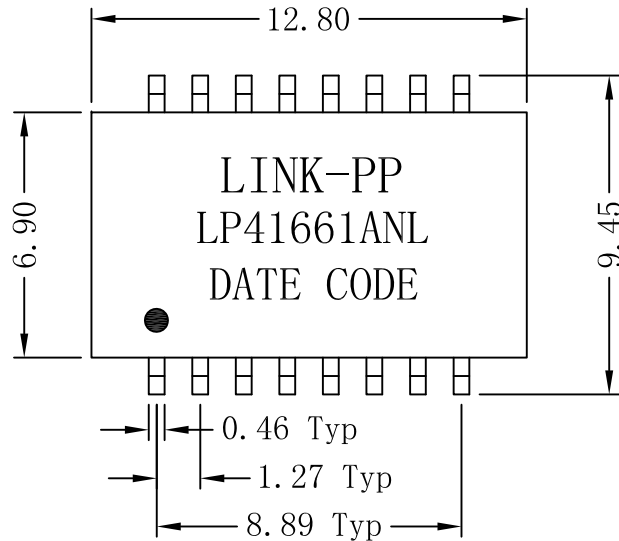
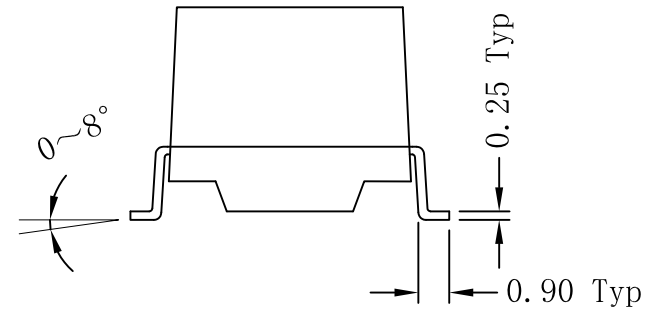
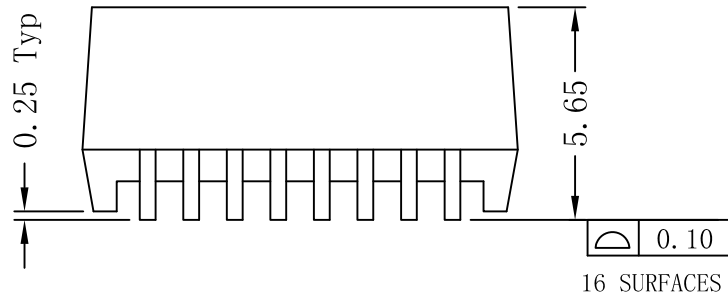
- Turns Ratio:
 - PIN(1-3) : PIN(16-14) = 1CT:1CT ±3%
 - PIN(6-8) : PIN(11-9) = 1CT:1CT ±3%
- OCL PIN(11-9) & PIN(16-14): 350uH MIN.
@100KHz 100mV 8mA DC Bias
- Insertion Loss:
 - 0.1-100MHz: -1.1dB Max
- Return Loss:
 - 1-30MHz: -18dB Min
 - 40MHz: -14dB Min
 - 50MHz: -12dB Min
 - 60-80MHz: -10dB Min
- Crosstalk:
 - 0.1-100MHz: -40dB Min
- CMR:
 - 0.1-100MHz: -40dB Typ
- Current capability: 700mA.
- Isolation Voltage: 1500Vrms
- Operating Temperature: -40°C ~ +85°C.



X:X	APPD:	LINK-PP INT'L TECHNOLOGY CO., LIMITED		
X:XX ±0.25	CHKD:	TITLE: 10/100 Base-T Single Port Transformer Modules For PoE+ Application		
X:XXX	DR: TOM	PART NO.: LP41661ANL		
ANGLES ±1°	UNIT: mm			
	SCALE: 2/1	SHEET: 1/2	REV: A	DWG NO.: LP16022502

Mechanical:

REV.	ECN NO.	DESCRIPTION	DATE	APPD
A	REL		2016/02/25	



SUGGESTED PAD LAYOUT

NOTES:

1. Designed to support application, such as SOHO (ADSL modems), LAN-on-Motherboard (LOM), hub and Switches.
2. Plastic: Thermoset plastic material with flammability rating UL 94V-0 or better.
3. With various Turns Ratios.
4. RoHS "NL" peak solder rating 250°C.



Dimensions: mm

Unless otherwise specified, all tolerances are ± 0.25

X:X	APPD:	LINK-PP INT'L TECHNOLOGY CO., LIMITED		
X:XX ± 0.25	CHKD:	TITLE: 10/100 Base-T Single Port Transformer Modules For PoE+ Application		
X:XXX	DR: TOM	PART NO.: LP41661ANL		
ANGLES $\pm 1^\circ$	UNIT: mm			
	SCALE: 2/1	SHEET: 2/2	REV: A	DWG NO.: LP16022502