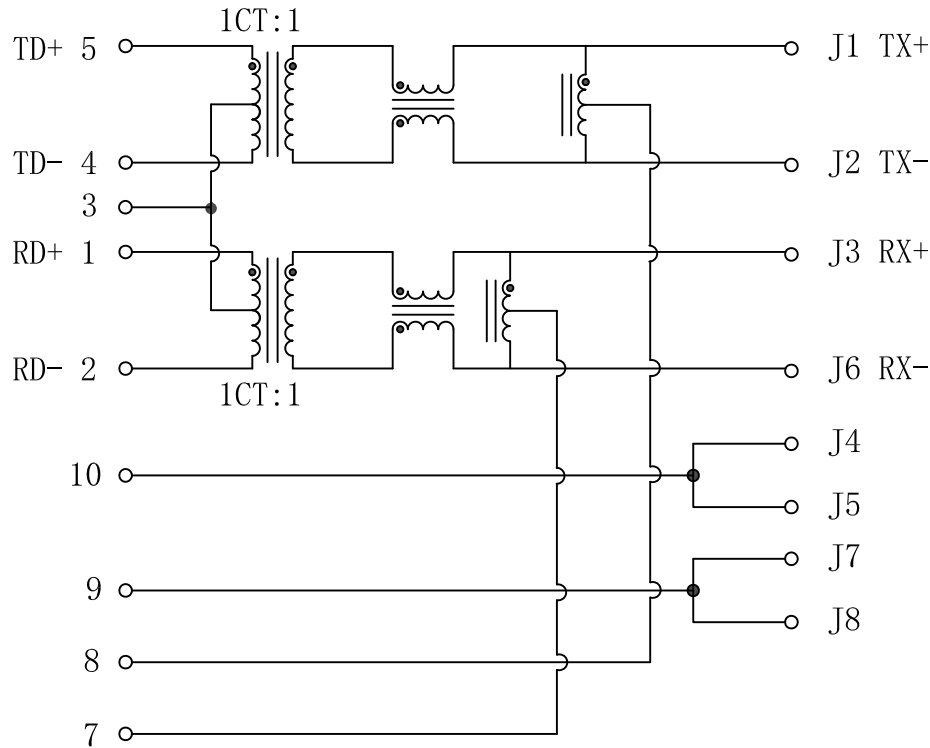


# Schematic:

REV.	ECN NO.	DESCRIPTION	DATE	APPD
A	REL		2017-12-13	

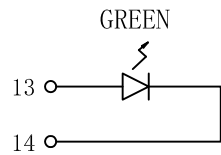
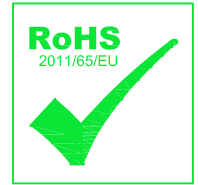
PC BOARD CONNECTIONS



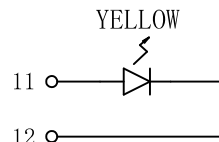
RJ45 CONNECTOR

## ELECTRICAL SPECIFICATIONS @25°C

- Turn Ratio:  
TX=1CT:1      RX=1CT:1
- Inductance OCL:  
350uH MIN @100KHz 0.1V 18mA DC Bias
- DCR: 1.2 Ω MAX
- Insertion Loss:  
-1.0dB MAX @1-100MHz
- Return Loss:  
-18dB MIN @1-30MHz  
-16dB MIN @30-60MHz  
-12dB MIN @60-80MHz
- Cross talk:  
-30dB MIN @1-100MHz
- Common Mode Rejection:  
-30dB MIN @1-100MHz
- Balanced DC Line Current.  
350mA MAX @57VDC Continuous  
500mA MAX @57VDC For 200 milliseconds.
- Hipot Test: 1500Vrms
- Operating Temperature Range: 0°C TO 70°C



LEFT LED



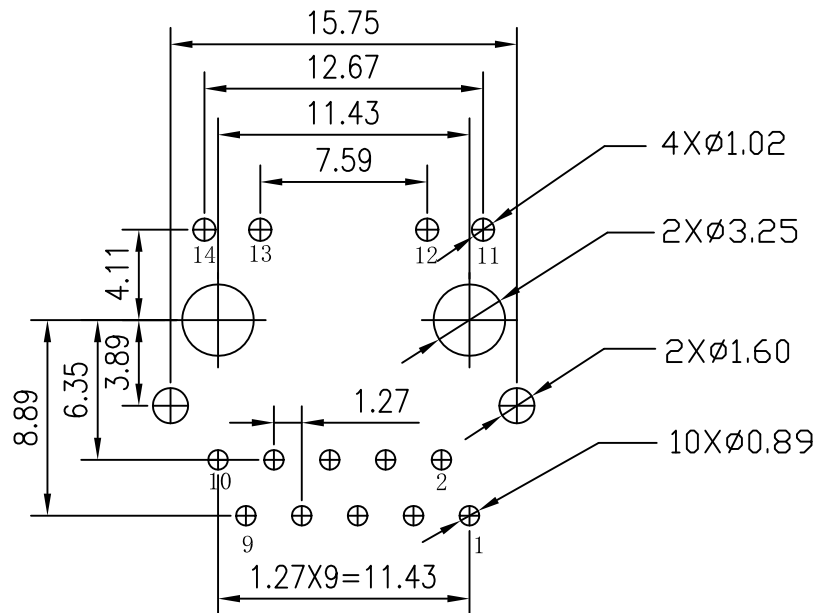
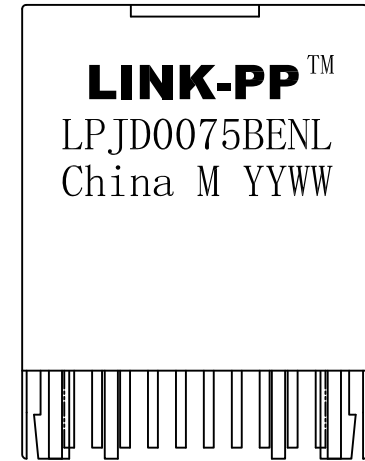
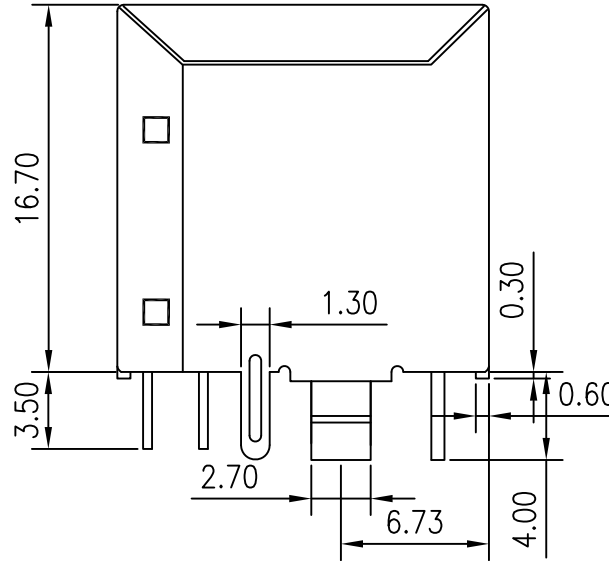
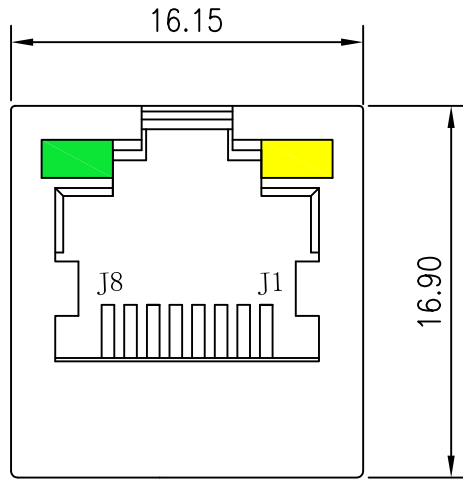
RIGHT LED

Emitting Color	λ p(nm)	VF@IF=20mA	IR @VR=5V
GREEN	565	1.8~2.4V	10 μ A max
YELLOW	585	1.8~2.4V	10 μ A max

X:X	±0.30	APPD:	LINK-PP INT'L TECHNOLOGY CO., LIMITED	
X:XX	±0.25	CHKD:	TITLE: Vertical RJ45 Connector With 10/100 Magnetic For PoE Application	
X:XXX	±0.05	DR: TOM	PART NO.: LPJD0075BENL	
ANGLES	±1°	UNIT: mm		
	SCALE: 3/1	SHEET: 1/2	REV: A	DWG NO.: LP17121301

# Mechanical:

REV.	ECN NO.	DESCRIPTION	DATE	APPD
A	REL		2017-12-13	



SUGGESTED PCB LAYOUT (TOP VIEW)

### NOTES:

1. Meets IEEE 802.3af specification
2. Connector Materials:  
Housing: Thermoplastic UL94V-0  
Contact/Shield: Copper alloy  
Shield plating: Nickel  
Contact plating: Gold 6 micro-inches min. In contact area
3. Wave solder tip temperature: 265°C Max, 5 Sec Max.
4. UL Certification: File Number E484635.



X:X	±0.30	APPD:	LINK-PP INT'L TECHNOLOGY CO., LIMITED
X:XX	±0.25	CHKD:	
X:XXX	±0.05	DR: TOM	TITLE: Vertical RJ45 Connector With 10/100 Magnetic For PoE Application
ANGLES	±1°	UNIT: mm	PART NO.: LPJD0075BENL
	SCALE: 3/1	SHEET: 2/2	REV: A DWG NO.: LP17121301