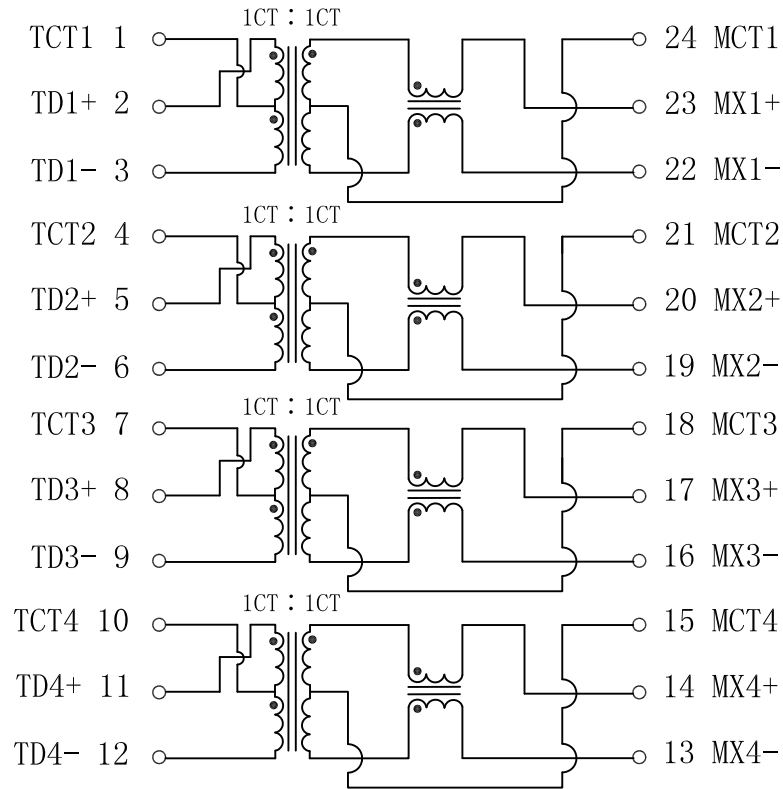


# Schematic:

REV.	ECN NO.	DESCRIPTION	DATE	APPD
B	REL		2015-10-25	



## Electrical Specifications @25°C

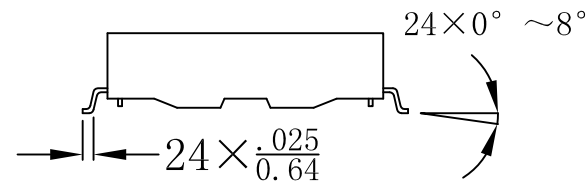
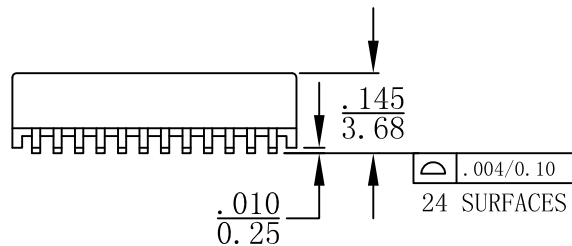
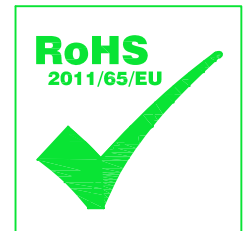
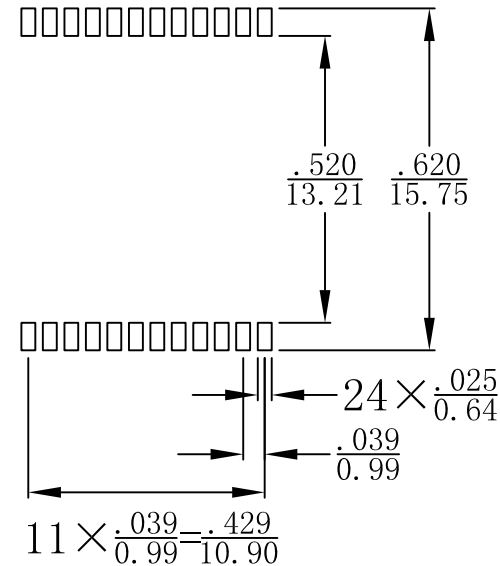
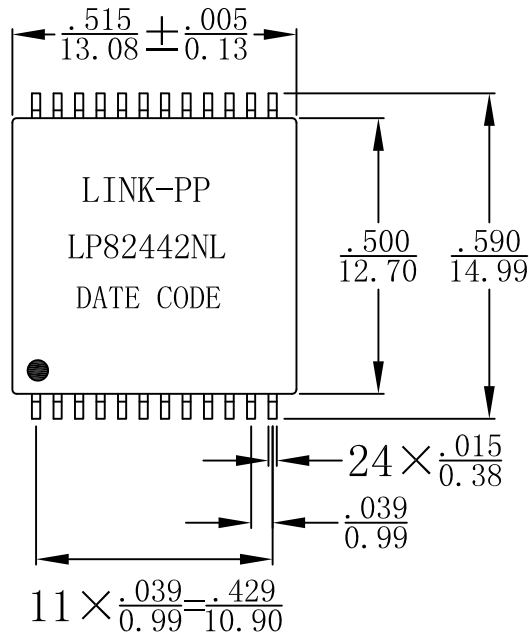
- Turns Ratio ( $\pm 5\%$ ):  
1CT : 1CT
- Inductance (100KHz, 100mV):  
350uH MIN
- Insertion Loss:  
1-100MHz: -1.0dB Max
- Return Loss (dB Min):  
1-30MHz: -18      40MHz: -14.4  
50MHz: -13.1      60-80MHz: -12  
100MHz: -10
- Crosstalk (dB Min):  
30MHz: -45      60MHz: -40  
100MHz: -35
- DCMR (dB Min):  
30MHz: -43      60MHz: -37  
100MHz: -33
- Hipot: 1500Vrms
- Operating Temperature: -40°C ~ +85°C.



X:X	$\pm 0.25$	APPD:	LINK-PP INT'L TECHNOLOGY CO., LIMITED	
X:XX	$\pm 0.20$	CHKD:	TITLE: 1000Base-T Magnetics Modules	
X:XXX	$\pm 0.05$	DR:	PART NO.: LP82442NL	
ANGLES	$\pm 1^\circ$	UNIT: <small>Inches</small>		
	SCALE: 2/1	SHEET: 1/2	REV: B	DWG NO.: LP171025003

**Mechanical:**

REV.	ECN NO.	DESCRIPTION	DATE	APPD
B	REL		2015-10-25	



**NOTES:**

1. Designed to support application, such as SOHO (ADSL modems), LAN-on-Motherboard (LOM), hub and Switches.
2. With various Turns Ratios.
3. RoHS "NL" peak solder rating  $260^\circ\text{C} \pm 5^\circ\text{C}$ .
4. UL Certification: File Number E484635.

X:X	$\pm 0.25$	APPD:	LINK-PP INT'L TECHNOLOGY CO., LIMITED
X:XX	$\pm 0.20$	CHKD:	
X:XXX	$\pm 0.05$	DR: TOM	TITLE: 1000Base-T Magnetics Modules
ANGLES	$\pm 1^\circ$	UNIT: <u>Inches</u>	PART NO.: LP82442NL
	SCALE: 2/1	SHEET: 2/2	REV: B
			DWG NO.: LP171025003