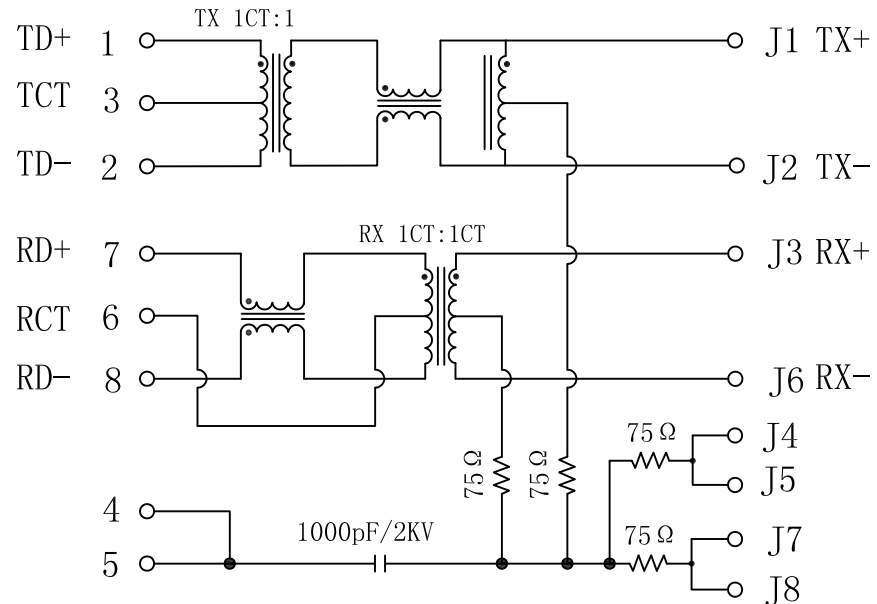


Schematic:

| REV. | ECN NO. | DESCRIPTION | DATE | APPD |
|------|---------|-------------|------------|------|
| A | REL | | 2010/06/23 | |

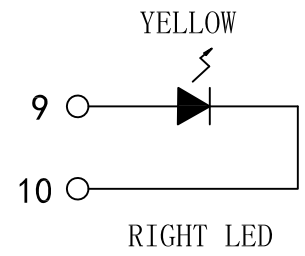
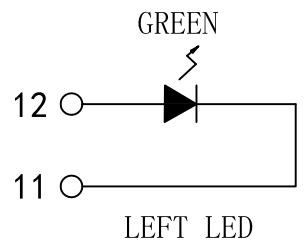
PC BOARD CONNECTIONS



RJ45 CONNECTOR

ELECTRICAL SPECIFICATIONS @25°C

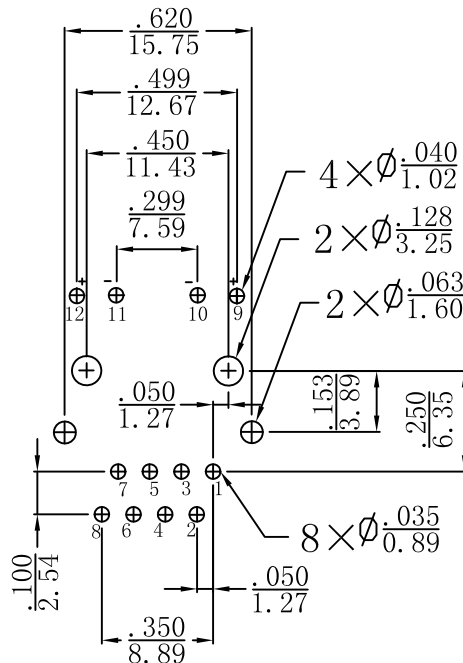
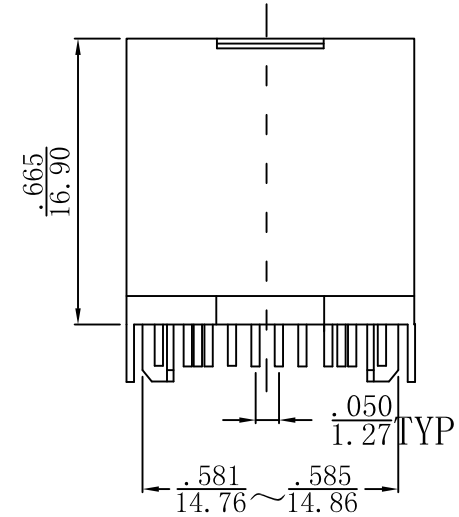
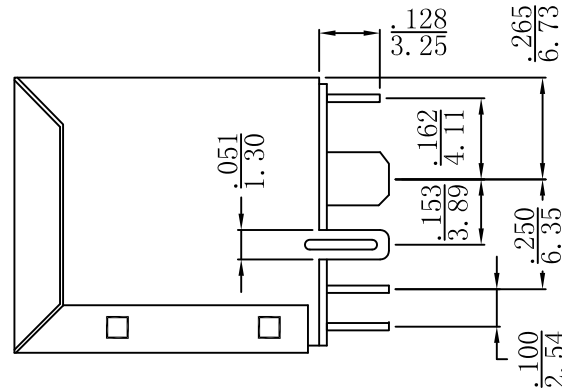
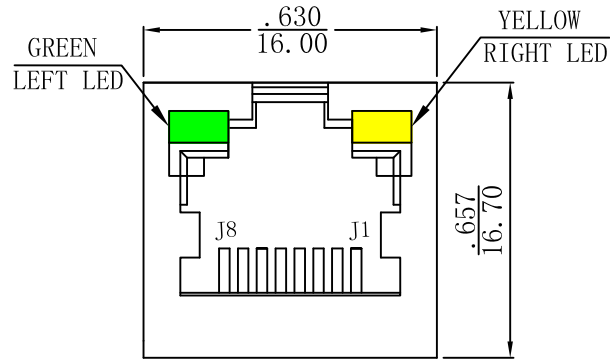
- Turn Ratio ($\pm 2\%$):
TX=1CT:1 RX=1CT:1CT
- Inductance OCL: 350uH MIN
@100KHz, 0.1V, 8mA DC Bias
- Insertion Loss:
-1.0dB MAX @ 1-65MHz
- Return Loss:
-20dB MIN @ 1-10MHz
-16dB MIN @ 10-30MHz
-12dB MIN @ 30-60MHz
-10dB MIN @ 60-100MHz
- Cross talk:
-40dB MIN @ 1-30MHz
-35dB MIN @ 30-60MHz
-30dB MIN @ 60-100MHz
- Common Mode Rejection:
-30dB MIN @ 1-50MHz
-20dB MIN @ 50-150MHz
- Hipot Test: 1500Vrms MIN
- Operating Temperature Range: 0°C TO 70°C.



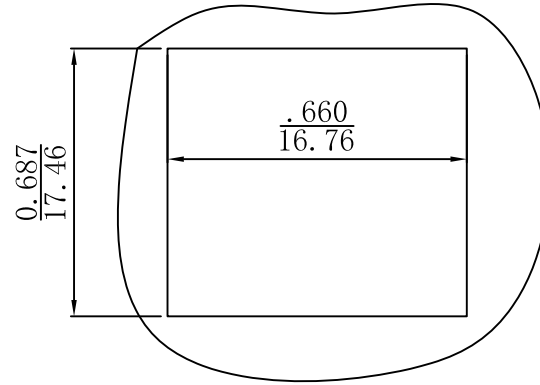
| | | | |
|--------|---------------|-----------------|---|
| X:X | ± 0.20 | APPD: | LINK-PP INT'L TECHNOLOGY CO., LIMITED |
| X:XX | ± 0.10 | CHKD: | |
| X:XXX | ± 0.05 | DR: TOM | TITLE: Vertical RJ45 Connector With 10/100 Magnetic |
| ANGLES | $\pm 1^\circ$ | UNIT: Inches/mm | PART NO.: LPJD0026BBNL |
| | SCALE: 2/1 | SHEET: 2/2 | REV: A DWG NO.: LP10062310 |

Mechanical:

| REV. | ECN NO. | DESCRIPTION | DATE | APPD |
|------|---------|-------------|------------|------|
| A | REL | | 2010/06/23 | |



SUGGESTED PCB LAYOUT (TOP VIEW)



RECOMMENDED PANEL CUTOUT DIMENSION



NOTES:

1. Designed to support application, such as SOHO (ADSL modems), LAN-on-Motherboard (LOM), hub and Switches.
2. Meets IEEE 802.3 specification
3. Connector Materials:
Housing: Thermoplastic UL94V-0
Contact/Shield: Copper alloy
Shield plating: Nickel
Contact plating: Gold 6 micro-inches min. In contact area.
4. Wave solder tip temperature: 265°C Max
Wave solder tip temperature time: 5 Sec Max

| | | | |
|--------|------------|-----------------|---|
| X:X | ±0.20 | APPD: | LINK-PP INT'L TECHNOLOGY CO., LIMITED |
| X:XX | ±0.10 | CHKD: | TITLE: Vertical RJ45 Connector With 10/100 Magnetic |
| X:XXX | ±0.05 | DR: TOM | PART NO.: LPJD0026BBNL |
| ANGLES | ±1° | UNIT: Inches/mm | |
| | SCALE: 2/1 | SHEET: 2/2 | REV: A DWG NO.: LP10062310 |