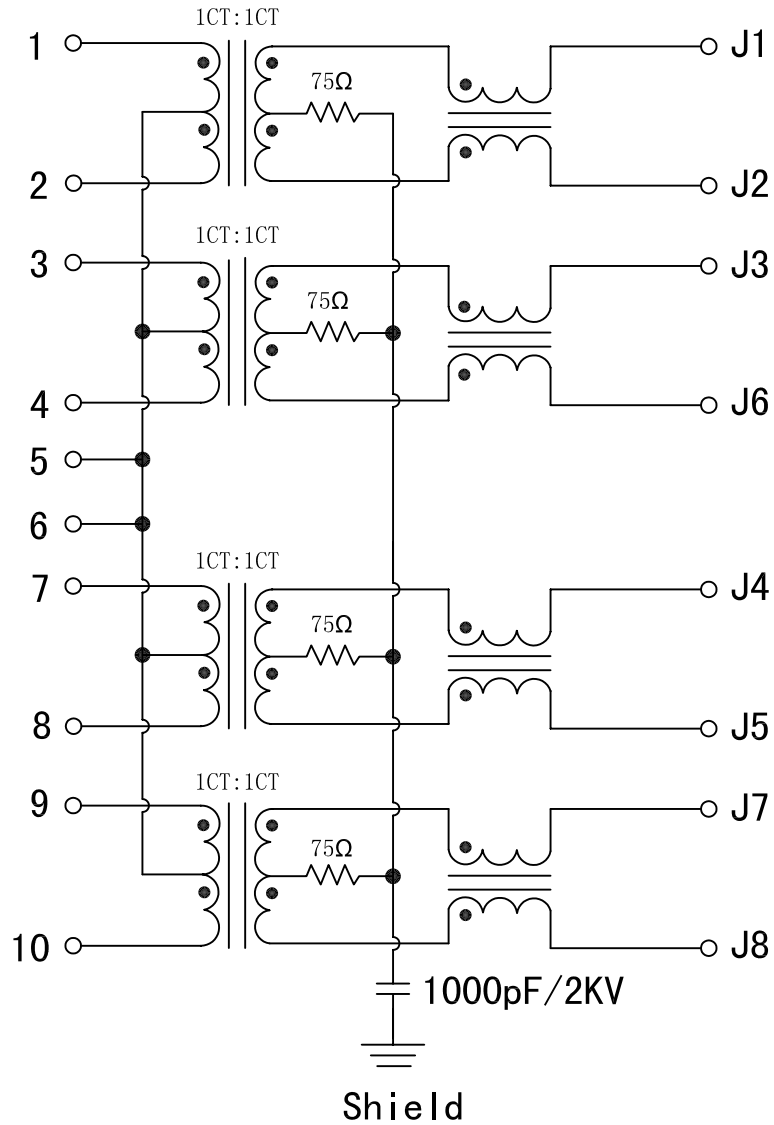


# Schematic:

REV.	ECN NO.	DESCRIPTION	DATE	APPD
A	REL		22/08/2009	

PC BOARD CONNECTIONS



RJ-45 CONNECTOR

## Electrical Specifications @25°C

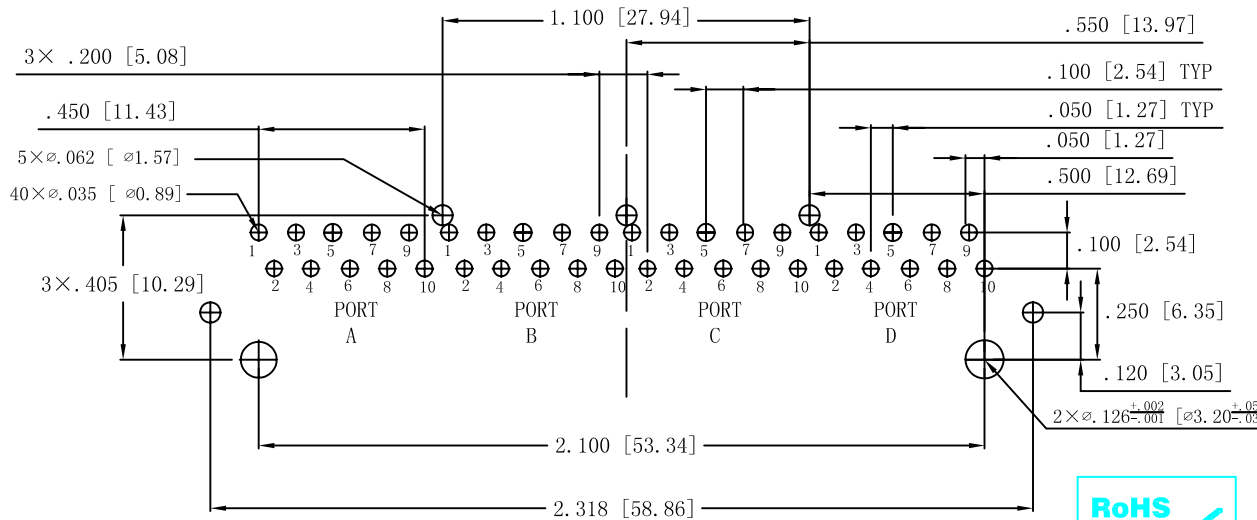
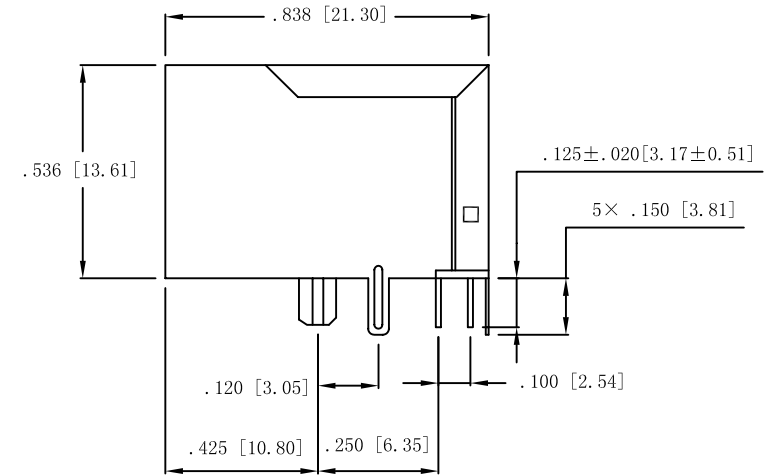
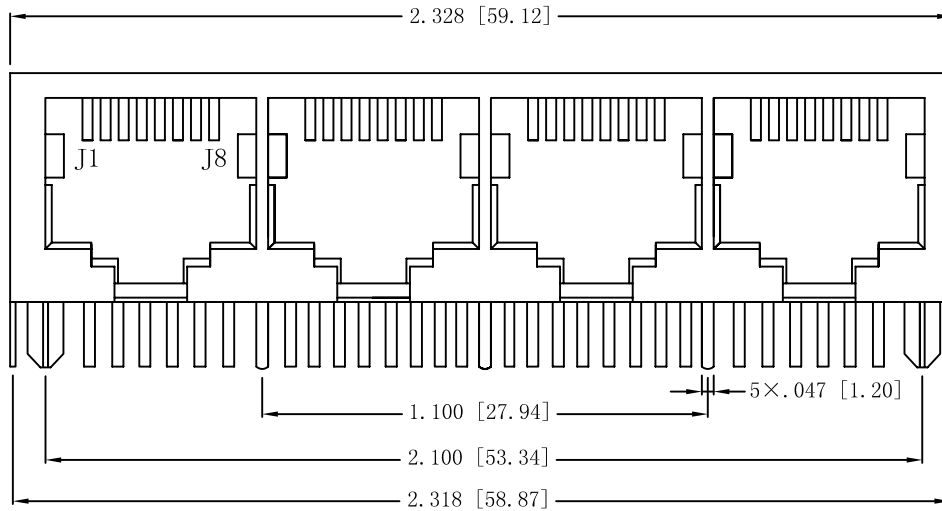
1. TURNS RATIO ( $\pm 5\%$ ):  
TX=1CT:1CT      RX=1CT:1CT
2. HI-POT: 1500V<sub>rms</sub>
3. INSERTION LOSS:  
-1.0dB MAX @ 1-100MHz
4. RETURN LOSS:  
-16dB MIN @ 1-30MHz  
-13.5dB MIN @ 30-40MHz  
-11.5dB MIN @ 40-50MHz  
-10dB MIN @ 50-80MHz
5. CROSS TALK:  
-40dB MIN @ 0.3-30MHz  
-35dB MIN @ 30-60MHz  
-30dB MIN @ 60-100MHz
6. CMR:  
-35dB MIN @ 1-30MHz  
-32dB MIN @ 30-60MHz  
-30dB MIN @ 60-125MHz
7. OCL: 350uH Min  
@ 0.1MHz, 0.1V<sub>rms</sub>, 8mA DC Bias
8. Operating temperature range: 0°C to +70°C



X:X	$\pm 0.20$	APPD:	LINK-PP INT'L TECHNOLOGY CO., LIMITED
X:XX	$\pm 0.10$	CHKD:	
X:XXX	$\pm 0.05$	DR: TOM	
ANGLES	$\pm 1^\circ$	UNIT: Inches/mm	PART NO.: LPJG46801DNL
	SCALE: 2/1	SHEET: 1/2	REV: A      DWG NO.: LP09082202

# Mechanical:

REV.	ECN NO.	DESCRIPTION	DATE	APPD
A	REL		22/08/2009	



SUGGESTED PCB LAYOUT (TOP VIEW)



## NOTES:

1. Designed to support application, such as SOHO (ADSL modems), LAN-on-Motherboard (LOM), hub and Switches.
2. Meets IEEE 802.3 specification
3. Connector Materials:  
 Housing: Thermoplastic UL94V-0  
 Contact/Shield: Copper alloy  
 Shield plating: Nickel  
 Contact plating: Gold 6 micro-inches min. In contact area.
4. Wave solder tip temperature: 265°C Max  
 Wave solder tip temperature time: 5 Sec Max

X:X	±0.20	APPD:	LINK-PP INT'L TECHNOLOGY CO., LIMITED
X:XX	±0.10	CHKD:	
X:XXX	±0.05	DR: TOM	Title: RJ45 Connector With 1000 Base-TX Integrated Magnetic
ANGLES	±1°	UNIT: Inches/mm	PART NO.: LPJG46801DNL
	SCALE: 2/1	SHEET: 2/2	REV: A DWG NO.: LP09082202