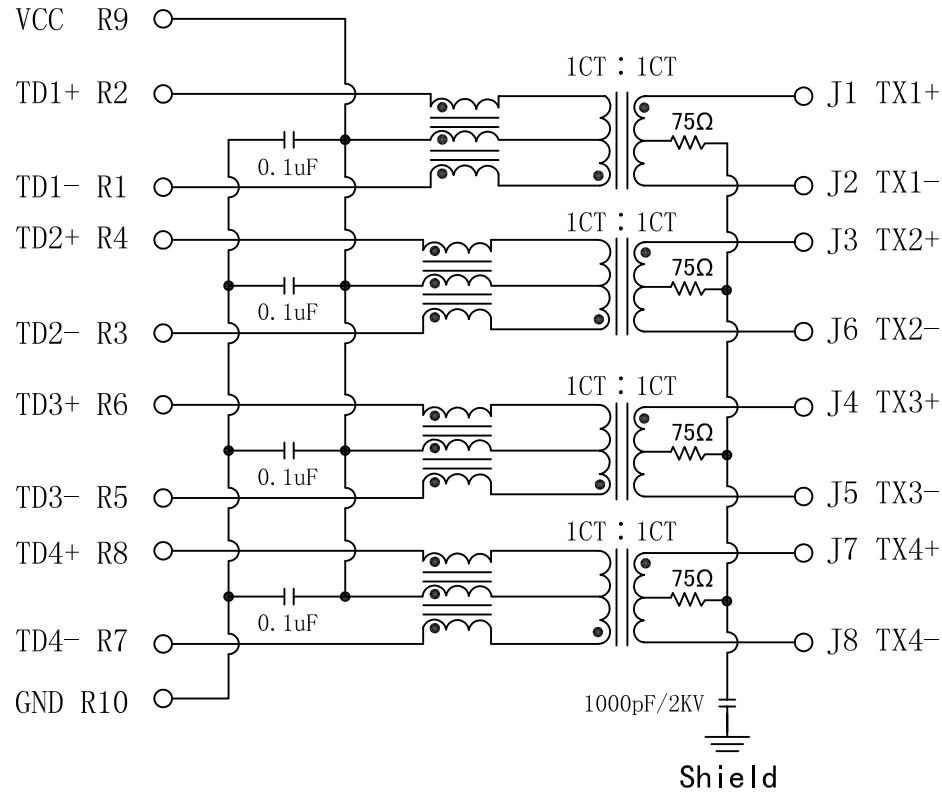


Schematic:

REV.	ECN NO.	DESCRIPTION	DATE	APPD
A	REL		2012/09/07	

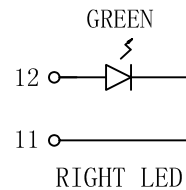
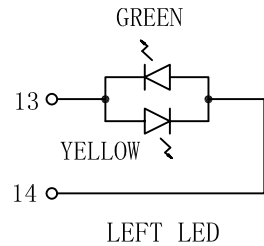
PCB CONNECTIONS



RJ45 CONNECTOR

Electrical Specifications @25°C

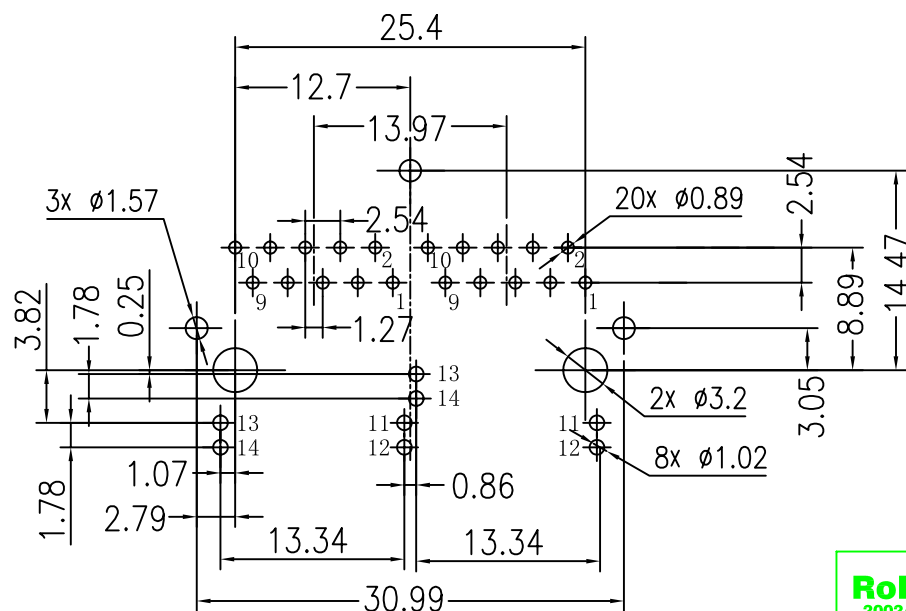
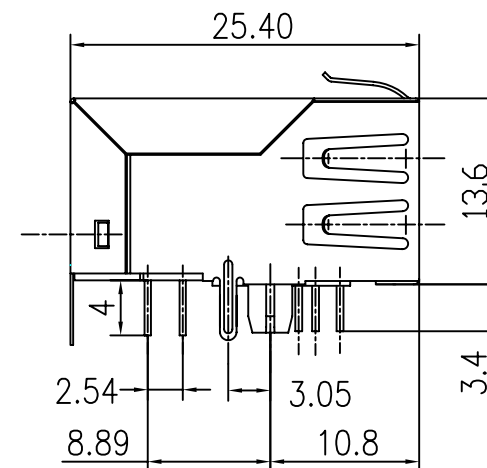
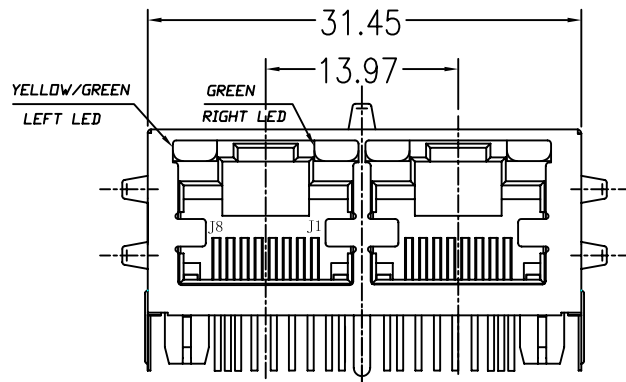
1. OCL (100KHz, 0.1V, 8mA DC BIAS): 350uH MIN
2. Insertion Loss: 0.5~100MHz:-1.1dB MAX
3. Return Loss: 0.5~40MHz:-18dB MIN
40.1~100MHz:-[12-20LOG(f/80)]dB MIN.
4. Crosstalk: 0.5~40MHz:-35dB MIN
40.1~100MHz:-[33-20LOG(f/50)]dB MIN.
5. Common Mode Rejection Ratio: 0.5~100MHz:-30dB MIN
6. Hipot Test: 1500Vrms MIN
7. Operating Temperature: -40°C TO +85°C.



X:X	±0.20	APPD:	LINK-PP INT'L TECHNOLOGY CO., LIMITED	
X:XX	±0.10	CHKD:	TITLE: RJ45 Connector With 1000 Base-TX Integrated Magnetic TAB UP	
X:XXX	±0.05	DR: TOM		
ANGLES	±1°	UNIT: mm	PART NO.: LPJG29837AINL	
	SCALE: 2/1	SHEET: 1/2	REV: A	DWG: LP12090702

Mechanical:

REV.	ECN NO.	DESCRIPTION	DATE	APPD
A	REL		2012/09/07	



SUGGESTED PCB LAYOUT (TOP VIEW)



NOTES:

1. Designed to support application, such as SOHO (ADSL modems), LAN-on-Motherboard (LOM), hub and Switches.
2. Meets IEEE 802.3 specification
3. Connector Materials:
Housing: Thermoplastic UL94V-0
Contact/Shield: Copper alloy
Shield plating: Nickel
Contact plating: Gold 6 micro-inches min. In contact area.
4. Wave solder tip temperature: 265°C Max
Wave solder tip temperature time: 5 Sec Max

X:X	± 0.20	APPD:	LINK-PP INT'L TECHNOLOGY CO., LIMITED
X:XX	± 0.10	CHKD:	
X:XXX	± 0.05	DR: TOM	TITLE: RJ45 Connector With 1000 Base-TX Integrated Magnetic TAB UP
ANGLES	$\pm 1^\circ$	UNIT: mm	PART NO.: LPJG29837AINL
	SCALE: 2/1	SHEET: 2/2	REV: A DWG: LP12090702