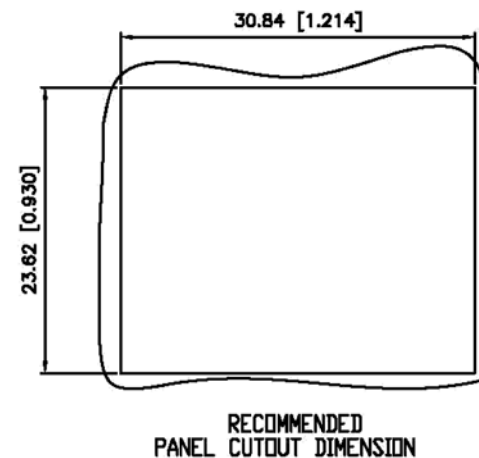
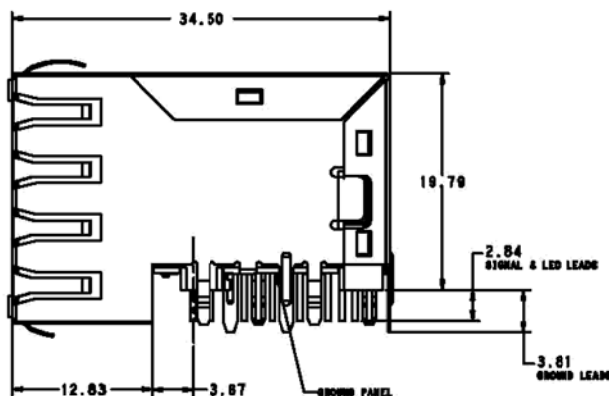
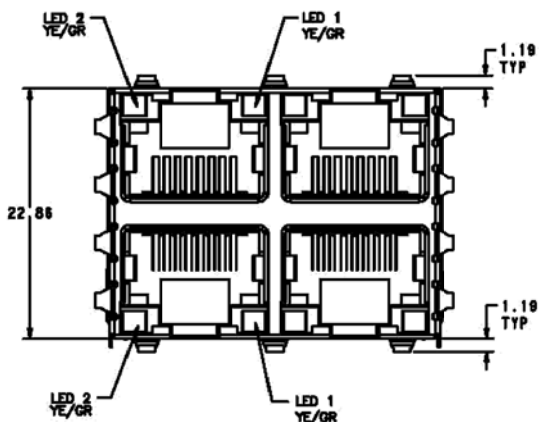
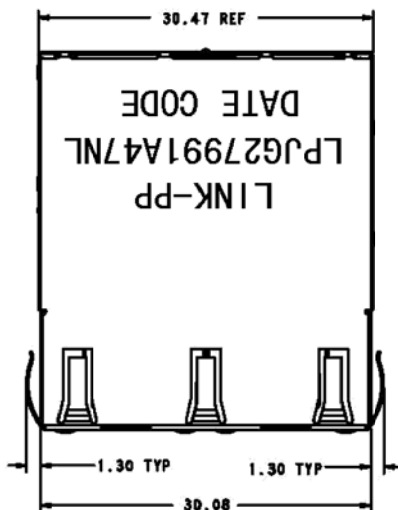
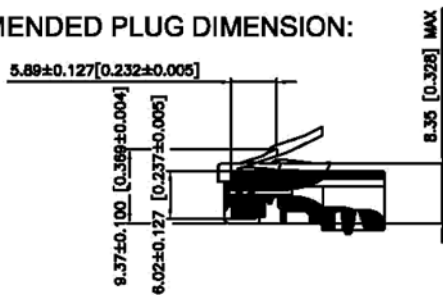


1. MECHANICAL DIMENSIONS :



RECOMMENDED PLUG DIMENSION:



NOTES:

1. MATERIAL:
HOUSING—HIGH TEMP. THERMOPLASTIC, POLYESTER, UL-94V-0
CONTACTS— PHOSPHOR BRONZE, PLATED WITH HARD GOLD AND TIN IN SOLDER AREA, AND NICKEL PLATING IN ALL AREA.
SHIELD— BRASS, WITH NICKEL
2. OPERATING TEMPERATURE: -40°C ~ +85°C
3. CAVITY CONFIRMS TO FCC RULES AND REGULATIONS PART 68,SUBPART F.
4. UNSPECIFIED TOLERANCE: .XX ±0.25[0.010]
.X ±0.30[0.012]

RoHS Compliant

LINK-PP INT'L TECHNOLOGY CO., LIMITED

THIS DRAWING IS A CONTROLLED DOCUMENT.

TITLE: Stacked RJ45, w/LED, with 10/100/1000 Mbps LAN Magnetics
8P10C, Shielded, Thru Hole, Offset.

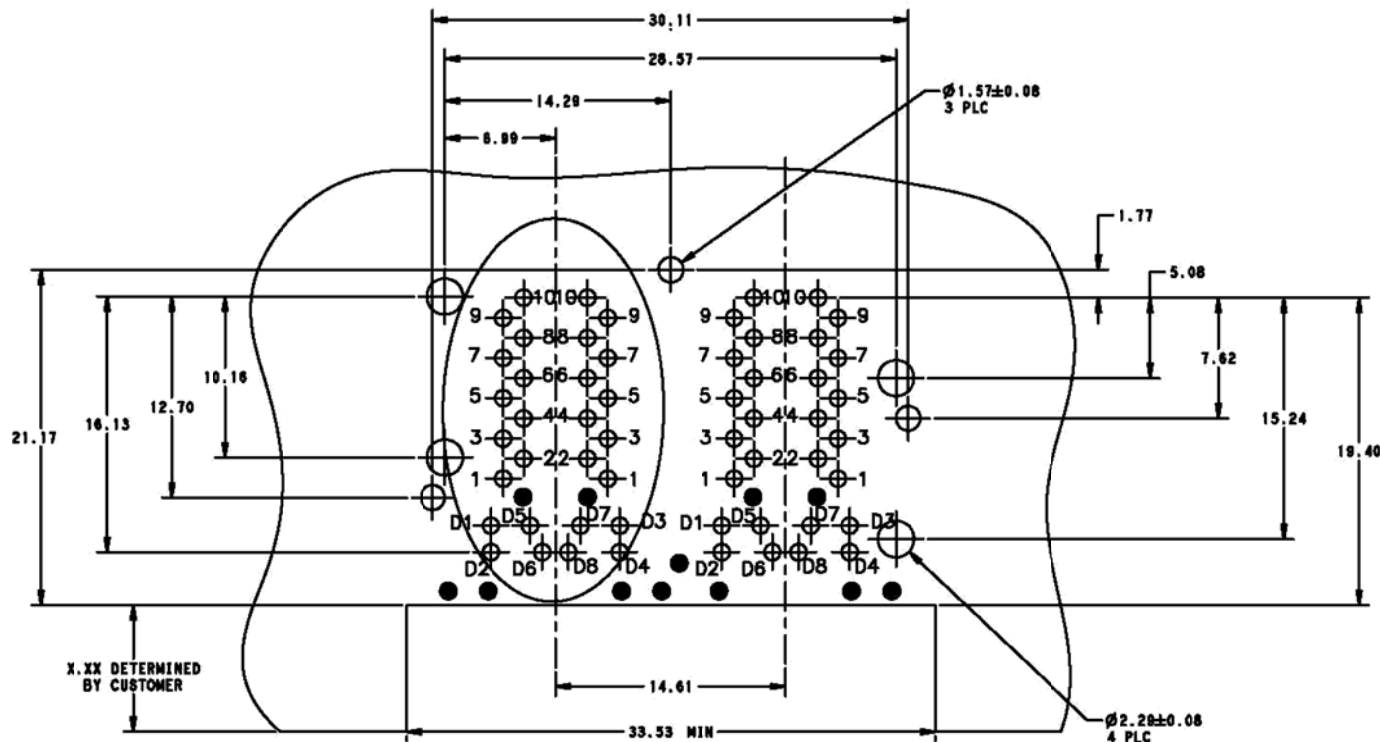
PART NO: LPJG27991A47NL

UNIT	SHEET	REV
mm[inch]	1 of 3	01

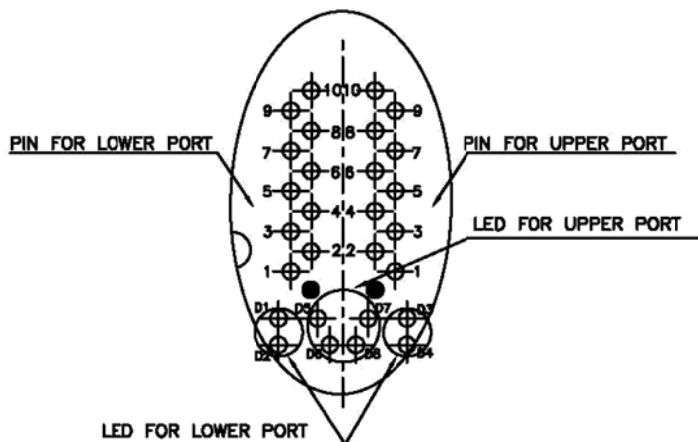
DWG NO:
DRAWN: AUSTIN
CHKD: TARA
DATE: May.19,11

preliminary

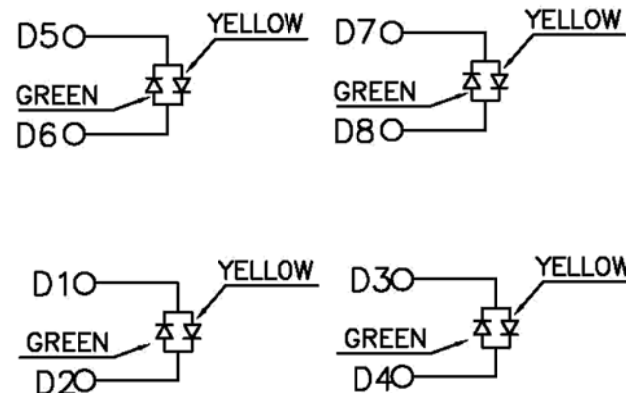
2. PCB LAYOUT :



SUGGESTED PCB LAYOUT
TOP VIEW
DIMENSIONAL TOLERANCE: .XX ±0.08[0.003]



3. LED CONFIGURATION :



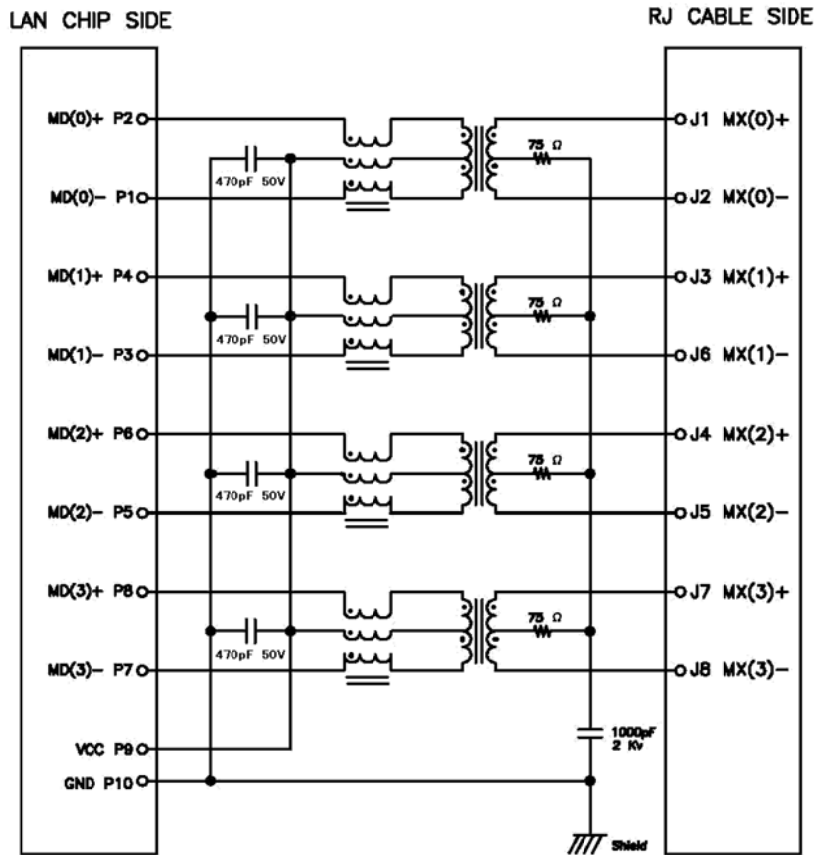
RoHS Compliant

LINK-PP INT'L TECHNOLOGY CO., LIMITED

THIS DRAWING IS A CONTROLLED DOCUMENT.				DWG NO:
TITLE: Stacked RJ45, w/LED, with 10/100/1000 Mbps LAN Magnetics BP10C, Shielded, Thru Hole, Offset.				2008-218-B-102-070-100
PART NO: LPJG27991A47NL				DRAWN: AUSTIN
UNIT: mm[Inch]				CHKD: TARA
SHEET: 2 of 3				DATE: May.19.11
REV: 01				

preliminary

4. SCHEMATIC:



5. ELECTRICAL CHARACTERISTICS :

TEST NOTES:(25'±5'C)

1. TR:(100KHz,0.1V);
INPUT TO OUTPUT=1:1±3%
2. LX:(100KHz,100mV,8mA, DC Bias)
TRANSFORMER=350uH MINIMUM
3. DCR:
EVERY RJ PAIR=1.2 Ω MAXIMUM
4. HIPOT:
INPUT TO OUTPUT : 1500VAC FOR 60 SECONDS
5. INSERTION LOSS:
-1.1dB MAXIMUM AT 0.3MHz TO 100MHz
6. RETURN LOSS:
-18dB MINIMUM AT 0.5MHz TO 40MHz;
-12+20Log(f/80MHz)dB MINIMUM AT 40MHz TO 100MHz
7. CROSS TALK:
-33+20Log(f/100MHz)dB MINIMUM AT 0.1MHz TO 100MHz
8. CMRR :
-30dB MINIMUM AT 300KHz TO 100MHz

RoHS Compliant

LINK-PP INT'L TECHNOLOGY CO., LIMITED

THIS DRAWING IS A CONTROLLED DOCUMENT.			DWG NO:
TITLE: Stacked RJ45, w/LED, with 10/100/1000 Mbps LAN Magnetics SP10C, Shielded, Thru Hole, Offset.			2008-218-B-107-070-M0
PART NO: LPJG27991A47NL			DRAWN: AUSTIN
UNIT: mm[Inch]			CHKD: TARA
SHEET: 3 of 3			DATE: May.19.11
REV: 01			

preliminary