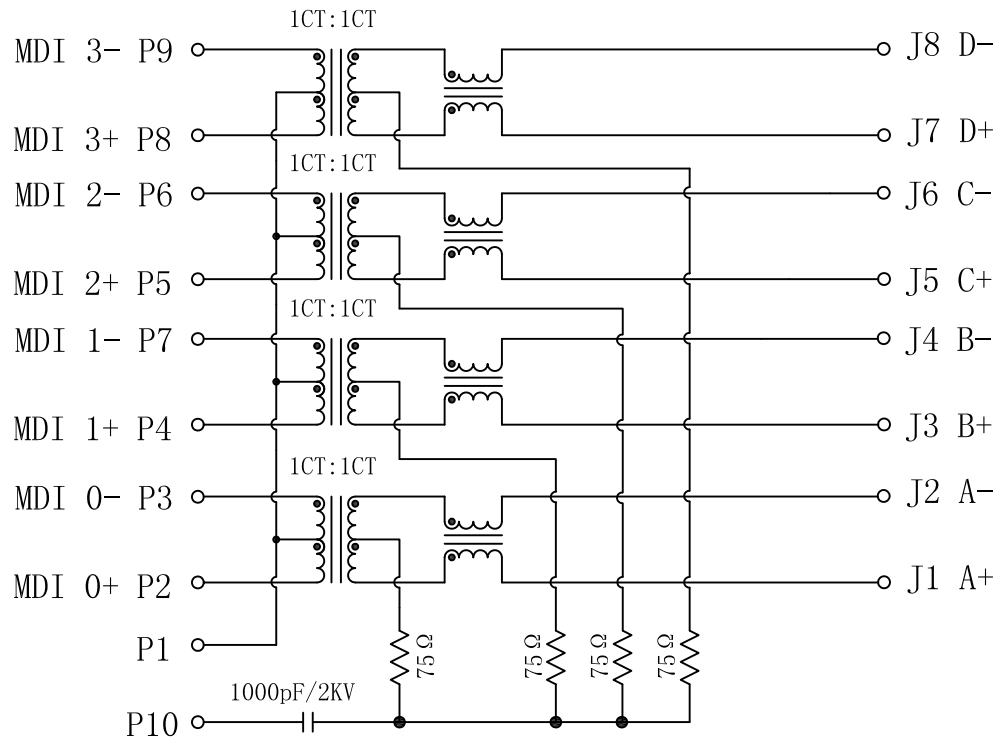


Schematic:

| REV. | ECN NO. | DESCRIPTION | DATE | APPD |
|------|---------|-------------|------------|------|
| A | REL | | 2010/05/11 | |

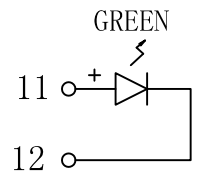
Chip Side



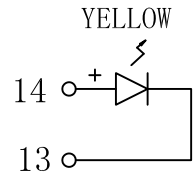
UTP Side

ELECTRICAL SPECIFICATIONS @25°C

- Turn Ratio($\pm 3\%$):
TX=1CT:1CT RX=1CT:1CT
- Inductance OCL: 350uH MIN
@ 100KHz/100mV, 8mA DC Bias
- Insertion Loss:
-1.1dB MAX @ 1-100MHz
- Return Loss(@100Ω):
-16dB MIN @ 1-30MHz
-13.5dB MIN @ 40-60MHz
-10dB MIN @ 80-100MHz
- Cross talk:
-35dB MIN @ 1-10MHz
-26dB MIN @ 15-60MHz
-24dB MIN @ 60-100MHz
- Common Mode Rejection:
-35dB MIN @ 1-60MHz
-30dB MIN @ 60-100MHz
- HIPOT TEST: 1500Vrms MIN
- Operating Temperature Range: -40°C TO +85°C



LEFT LED



RIGHT LED

| Emitting Color | λ p(nm) | VF@IF=20mA | IR @VR=5V |
|----------------|-----------------|------------|----------------|
| Green | 570 | 1.8~2.6V | 10 μ A max |
| Yellow | 590 | 1.8~2.6V | 10 μ A max |

| | | | | |
|--------|---------------|-------|--|------------|
| X:X | ± 0.30 | APPD: | LINK-PP INT'L TECHNOLOGY CO., LIMITED | |
| X:XX | ± 0.25 | CHKD: | TITLE: RJ45 Connector with 1000 BASE-TX Integrated Magnetic | |
| X:XXX | ± 0.05 | DR: | PART NO.: LPJG26962ABNL | |
| ANGLES | $\pm 1^\circ$ | UNIT: | mm | |
| | SCALE: | 2/1 | SHEET: | 1/2 |
| | | | REV: | A |
| | | | DWG NO.: | LP10051120 |

