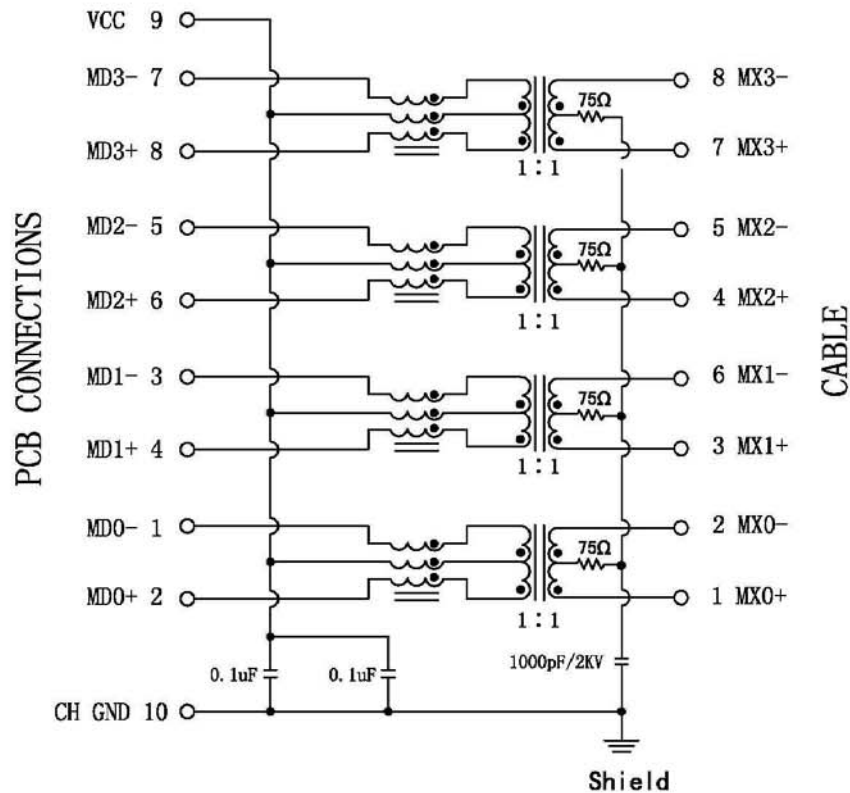


Schematic:

REV.	ECN NO.	DESCRIPTION	DATE	APPD
A	REL		09/12/2011	



PCB CONNECTIONS

CABLE

Electrical Specifications @ 25°C

1. Transmitter filter & Receiver filter
Type: Balance low pass 100Ω impedance
Insertion Loss:

1~65MHz: -1.0dB MAX

Return Loss:

1~10MHz: -20dB TYP. load 100Ω±15Ω

30MHz: -16dB TYP. load 100Ω±15Ω

60~80MHz: -12dB TYP. load 100Ω±15Ω

2. Inductance (@ 100KHz, 0.1V, 8mA DC BIAS):
350uH MIN

3. Crosstalk:

1~10MHz: -40dB MIN

32~60MHz: -35dB MIN

60~100MHz: -30dB MIN

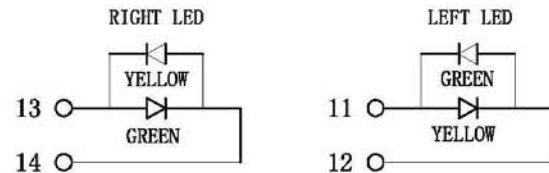
4. Common Mode Rejection:

1~50MHz: -30dB TYP

50~130MHz: -20dB TYP

5. Hipot: 1500Vrms MIN @60Hz 1 MIN

6. Operating Temperature: 0°C~+70°C.



X:X	±0.20	APPD:	LINK-PP INT'L TECHNOLOGY CO., LTD.	
X:XX	±0.10	CHKD:	TITLE: RJ45 Transformer.1000 Base-T	
X:XXX	±0.05	DR: C.H.Y	PART NO.: LPJG17947A51NL	
ANGLES	±1°	UNIT: mm	DWG NO.: LP11120905	
	SCALE: 2/1	SHEET: 2/2	REV: A	