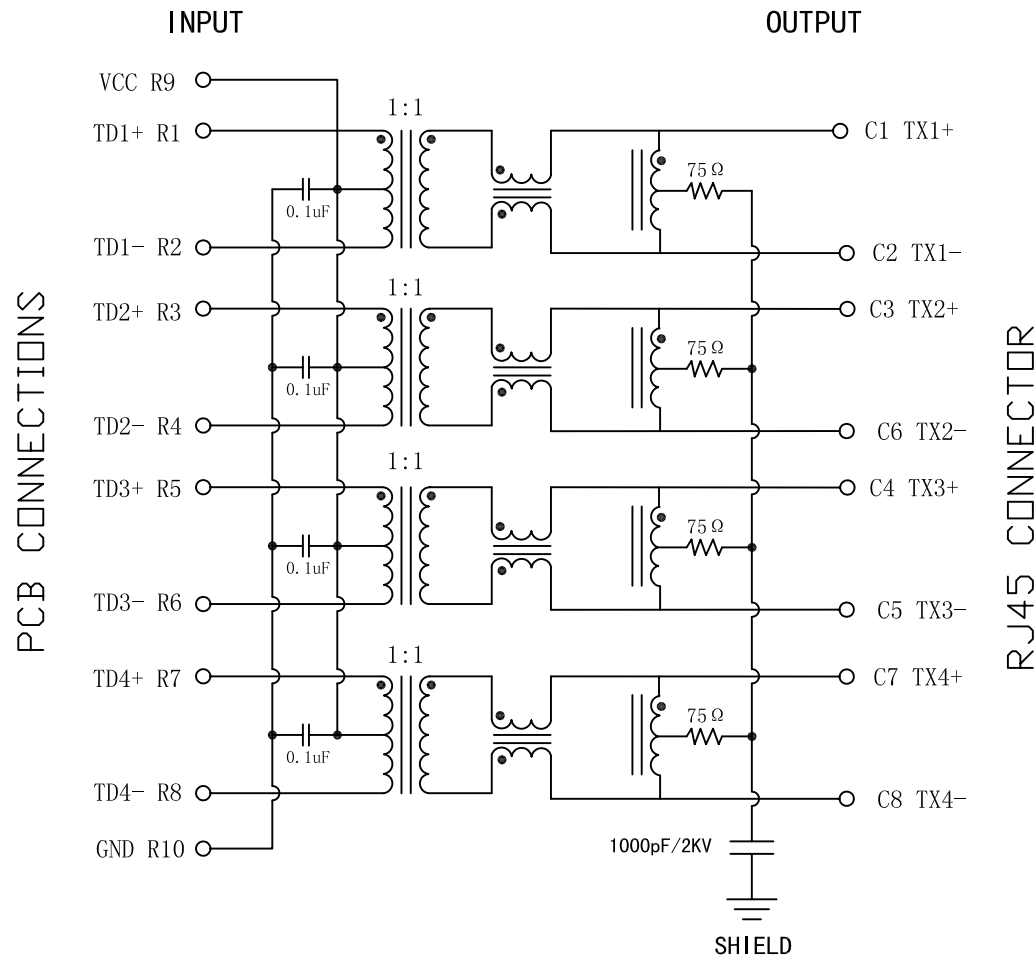


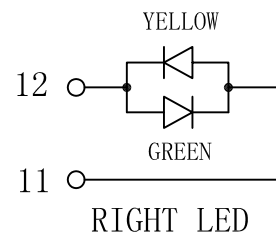
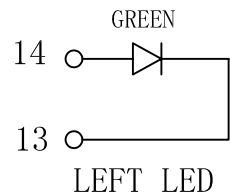
Schematic:

REV.	ECN NO.	DESCRIPTION	DATE	APPD
A	REL		2007/06/19	



Electrical Specifications:

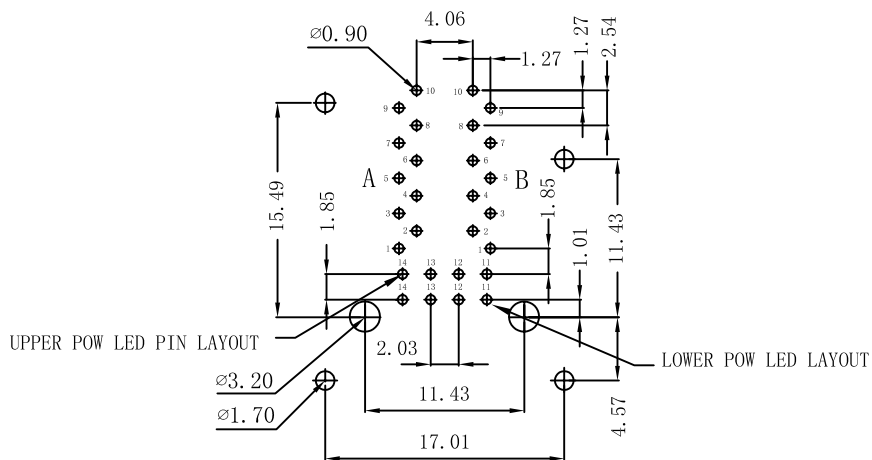
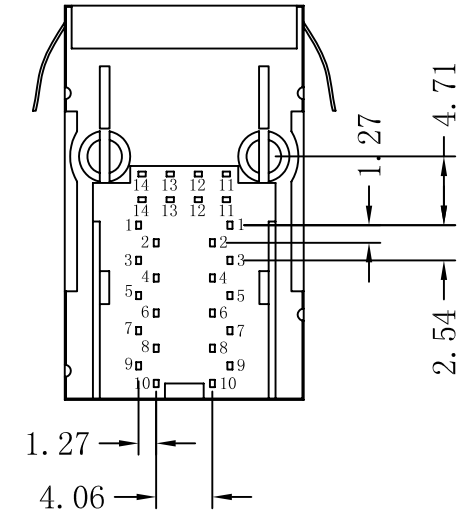
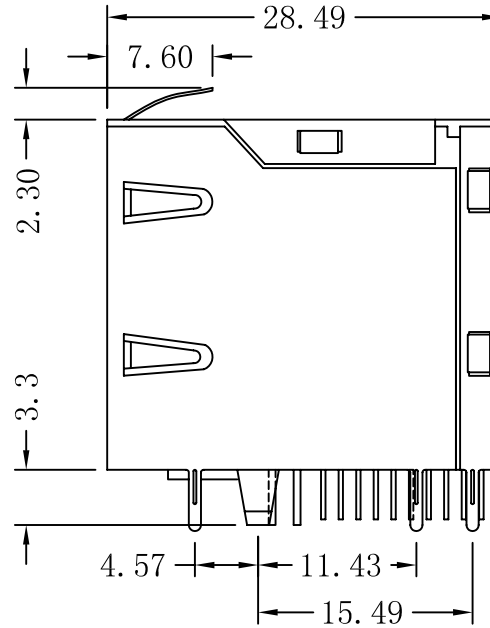
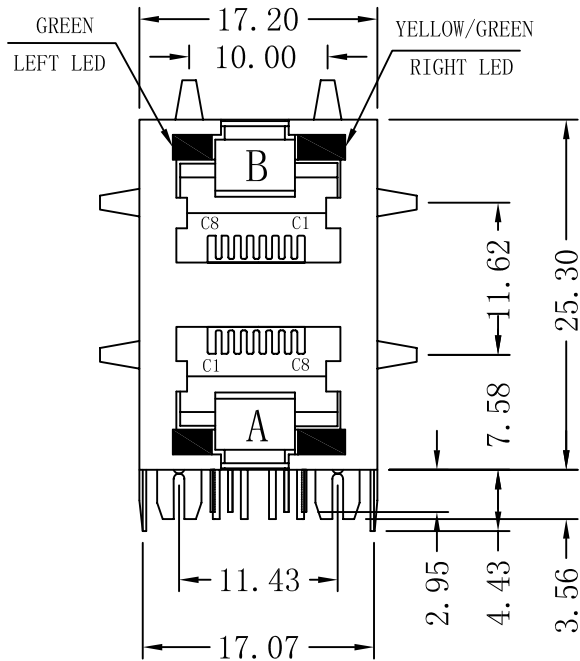
- Transmitter filter & Receiver filter
Type: Balance low pass 100Ω impedance
Insertion Loss: 1-100MHz: -1.0dB MAX
Return Loss:
1-30MHz: -18dB MIN. load 100Ω
30-60MHz: -16dB MIN. load 100Ω
60-80MHz: -12dB MIN. load 100Ω
80-100MHz: -10dB MIN. load 100Ω
- Inductance @ 100KHz, 0.1V, 8mA DC BIAS
Input (R1-R2), Input (R3-R4): 350uH MIN
Input (R5-R6), Input (R7-R8): 350uH MIN
- Crosstalk: 1-100MHz: -30dB MIN
- CMR: 1-100MHz: -30dB MIN
- Hipot Test:
Input (R1-R2) to Output (C1-C2): 1500VAC, 60sec
Input (R3-R4) to Output (C3-C6): 1500VAC, 60sec
Input (R5-R6) to Output (C4-C5): 1500VAC, 60sec
Input (R7-R8) to Output (C7-C8): 1500VAC, 60sec.
- Operating Temperature: 0°C ~ 70°C.



X:X	±0.25	APPD:	LINK-PP INT'L TECHNOLOGY CO., LIMITED
X:XX	±0.15	CHKD:	
X:XXX	±0.05	DR: TOM	TITLE: RJ45 2×1 w/Transformer 1000 Base-T w/LED
ANGLES	±1°	UNIT: mm	PART NO.: LPJG17512A8NL
	SCALE: 2/1	SHEET: 1/2	REV: A DWG NO.: LP07061909

Mechanical :

REV.	ECN NO.	DESCRIPTION	DATE	APPD
A	REL		2007/06/19	



RECOMMENDED PCB LAYOUT (TOP VIEW)



NOTES:

1. Designed to support application, such as SOHO (ADSL modems), LAN-on-Motherboard (LOM), hub and Switches.
2. Meets IEEE 802.3 specification
3. Connector Materials:
 Housing: Thermoplastic UL94V-0
 Contact/Shield: Copper alloy
 Shield plating: Nickel
 Contact plating: Gold 6 micro-inches min. In contact area.
4. Wave solder tip temperature: 265°C Max
 Wave solder tip temperature time: 5 Sec Max

X:X	±0.25	APPD:	LINK-PP INT'L TECHNOLOGY CO., LIMITED	
X:XX	±0.15	CHKD:	TITLE: RJ45 2×1 w/Transformer 1000 Base-T w/LED	
X:XXX	±0.05	DR: TOM	PART NO.: LPJG17512A8NL	
ANGLES	±1°	UNIT: mm	DWG NO.: LP07061909	
SCALE: 2/1		SHEET: 2/2		REV: A