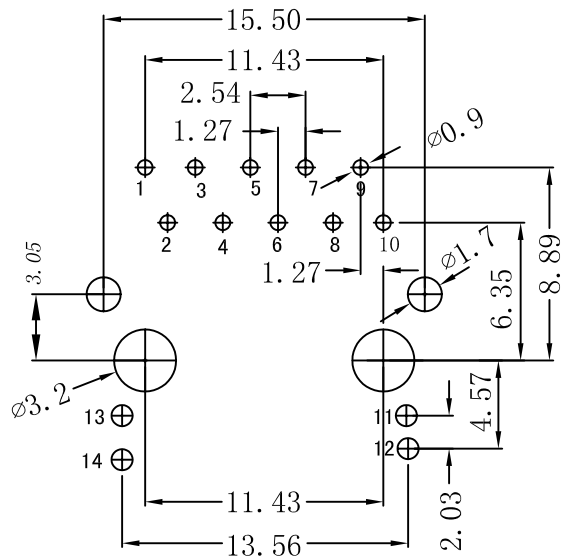
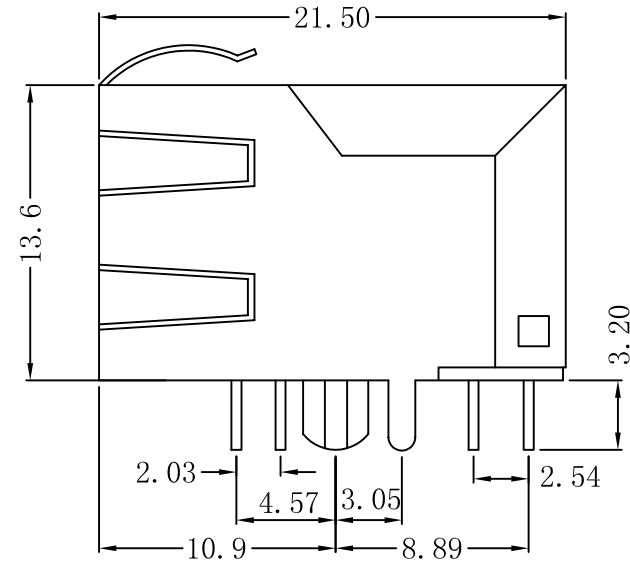
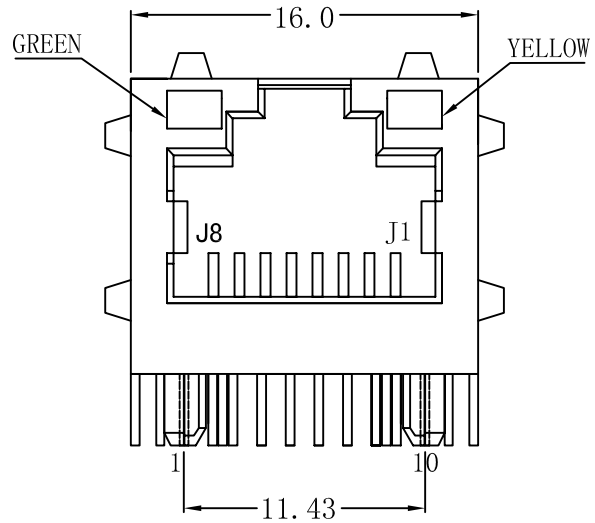


# Mechanical:

REV.	ECN NO.	DESCRIPTION	DATE	APPD
A	REL		2010/05/28	



Suggested PCB Layout (TOP VIEW)

## NOTES:

1. Designed to support application, such as SOHO (ADSL modems), LAN-on-Motherboard (LOM), hub and Switches.
2. Meets IEEE 802.3 specification
3. Connector Materials:  
Housing: Thermoplastic UL94V-0  
Contact/Shield: Copper alloy  
Shield plating: Nickel  
Contact plating: Gold 6 micro-inches min. In contact area.
4. Wave solder tip temperature: 265°C Max  
Wave solder tip temperature time: 5 Sec Max



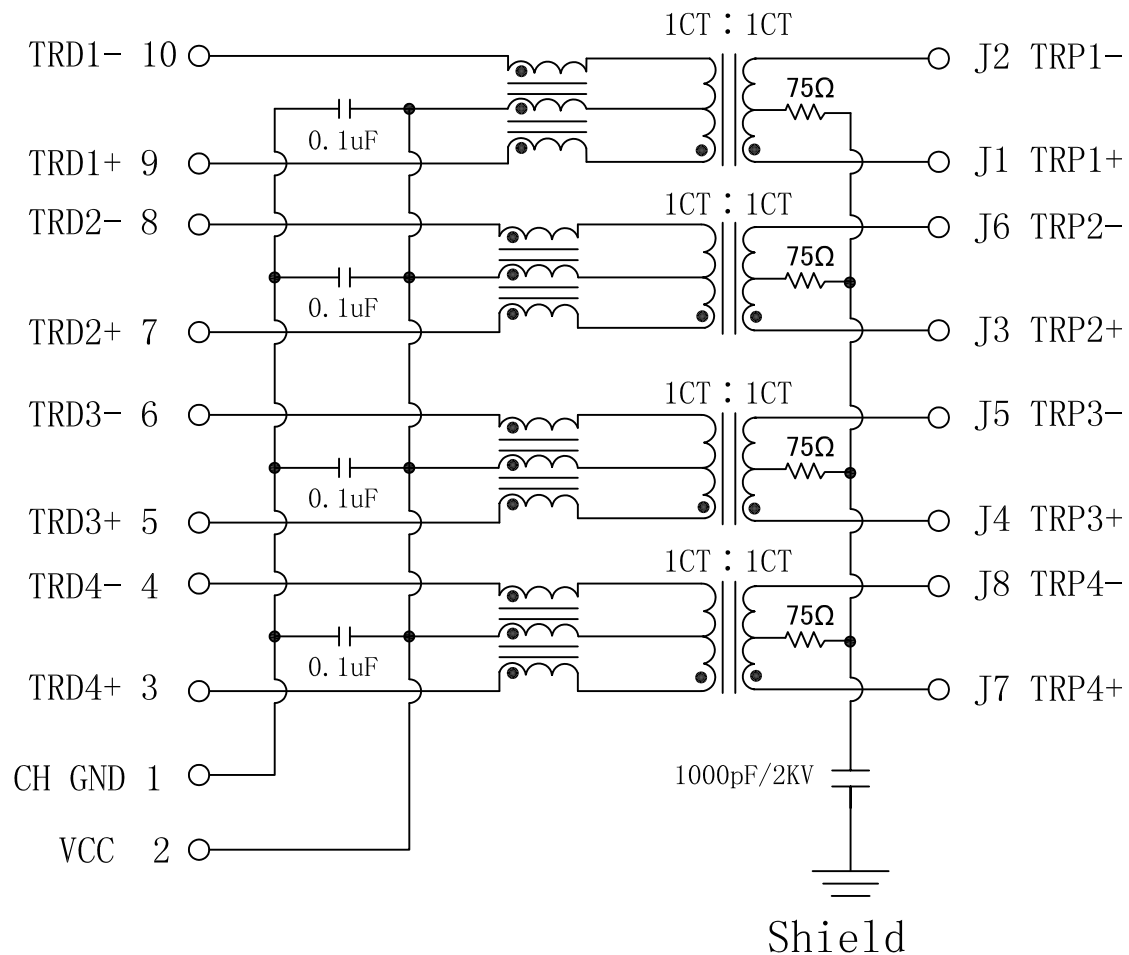
X:X	±0.20	APPD:	LINK-PP INT'L TECHNOLOGY CO., LIMITED	
X:XX	±0.10	CHKD:	<i>Title:</i> RJ45 Connector With 1000 Base-TX Integrated Magnetic	
X:XXX	±0.05	DR: TOM		
ANGLES	±1°	UNIT: mm	PART NO.: LPJG16540AENL	
	SCALE: 2/1	SHEET: 1/2	REV: A	DWG NO.: LP10052803

# Schematic:

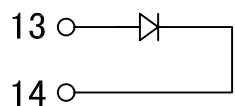
REV.	ECN NO.	DESCRIPTION	DATE	APPD
A	REL		2010/05/28	

INPUT

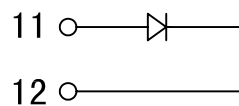
OUTPUT



GREEN/LEFT LED



YELLOW/RIGHT LED



## Electrical Specifications @25°C

- Impedance: 100 ohms
- OCL: 350uH Min @ 100KHz, 0.1Vrms, 8mADC BIAS
- Turns Ratio: TX=1:1 RX=1:1
- Return Loss (dB Min):
  - 0.5-40MHz: -18
  - 40.1-100MHz: -12-20LOG (f/50)
- Crosstalk (dB Min):
  - 0.5-40MHz: -35
  - 40.1-100MHz: -33-20LOG (f/50)
- Insertion Loss: 0.5-100MHz: -1.1dB Max
- Common Mode Rejection Ratio: 0.5-100MHz: -30 dB Min
- Isolation Voltage: 1500V
- Operating Temperature: 0~70°C

X:X	±0.20	APPD:	LINK-PP INT'L TECHNOLOGY CO., LIMITED	
X:XX	±0.10	CHKD:	Title: RJ45 Connector With 1000 Base-TX Integrated Magnetic	
X:XXX	±0.05	DR: TOM	PART NO.: LPJG16540AENL	
ANGLES	±1°	UNIT: mm		
	SCALE: 2/1	SHEET: 2/2	REV: A	DWG NO.: LP10052803