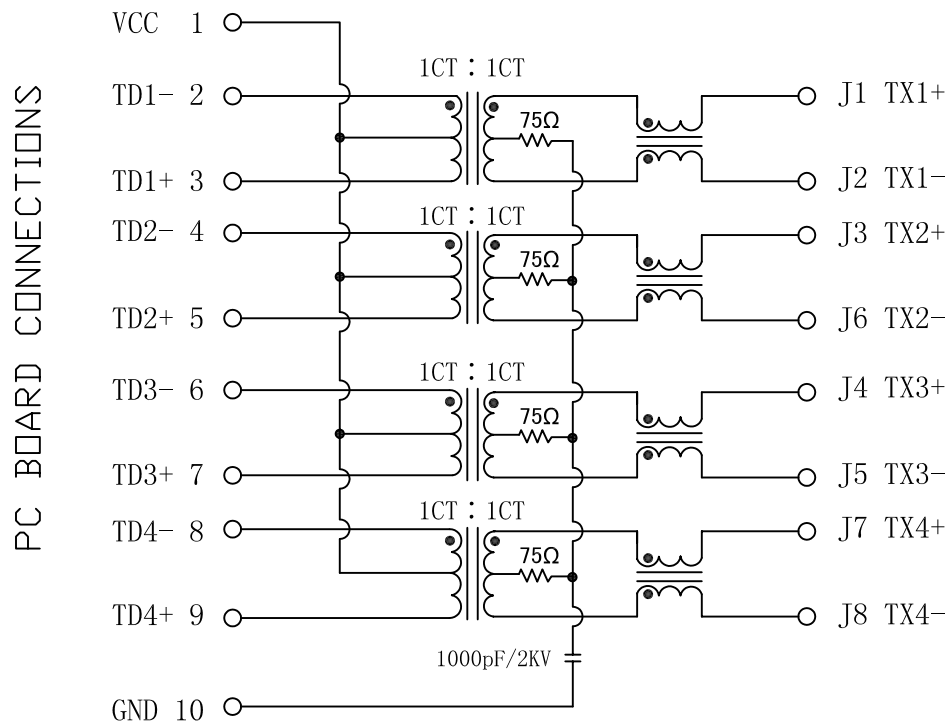


Schematic:

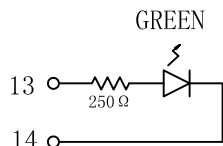
REV.	ECN NO.	DESCRIPTION	DATE	APPD
A	REL		2011/08/03	



RJ45 CONNECTOR

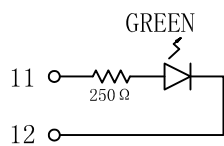
ELECTRICAL SPECIFICATIONS @25°C

- Turn Ratio($\pm 2\%$):
TX=1CT:1CT RX=1CT:1CT
- Inductance OCL:
350uH Min @100KHz, 0.1V, 8mA DC Bias
- Insertion Loss:
-0.8dB Max @ 0.3-100MHz
-1.2dB Max @ 100-120MHz
- Return Loss:
-18dB Min @ 0.5-40MHz
-12-20Log(f/80MHz)dB Min @ 40-100MHz
- Cross talk:
-33-20Log(f/100MHz)dB MIN @ 0.1-100MHz
- Common To Differential Mode Rejection:
-35dB MIN @ 0.3-100MHz
- Common To Common Mode Rejection:
-30dB MIN @ 0.3-100MHz
- Hipot Test: 1500VAC FOR 60 SECONDS
- Operating Temperature : 0°C TO 70°C



LEFT LED

LED POLARITY		COLOR
PIN 13	PIN 14	
+	-	GREEN



RIGHT LED

LED POLARITY		COLOR
PIN 11	PIN 12	
+	-	GREEN



X:X	± 0.20	APPD:	LINK-PP INT'L TECHNOLOGY CO., LIMITED
X:XX	± 0.10	CHKD:	
X:XXX	± 0.05	DR: TOM	
ANGLES	$\pm 1^\circ$	UNIT: mm	Part No.: LPJG16520AZNL
	SCALE: 2/1	SHEET: 1/2	REV: A DWG NO.: LP11080305

