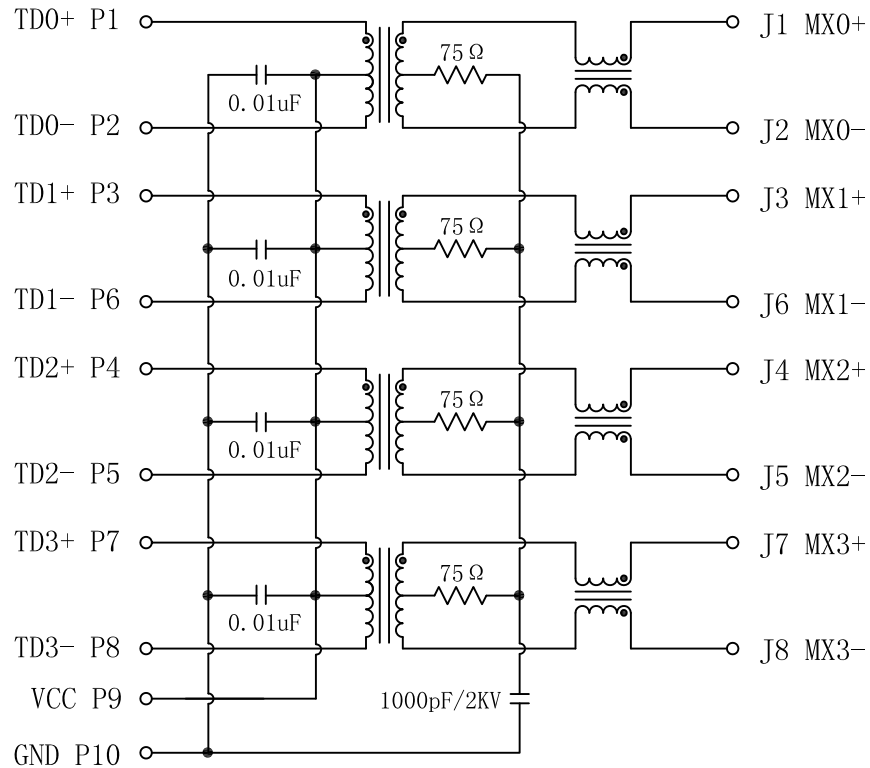


# Schematic:

| REV. | ECN NO. | DESCRIPTION | DATE       | APPD |
|------|---------|-------------|------------|------|
| A    | REL     |             | 2010/02/02 |      |

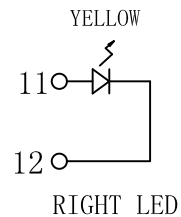
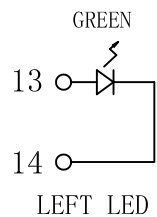
## PCB

## CABLE



### Electrical Specifications @25°C

1. OCL (@100KHz 0.1V 8mA): 350uH Min
2. Turns Ratio: 1CT : 1CT ±3%
3. Insertion Loss:
  - 1-100MHz: -1.1dB Max
4. Return Loss (dB Min):
  - 1-40MHz: -18      60MHz: -14
  - 80MHz: -12      100MHz: -10
5. Crosstalk:
  - 1-100MHz: -35 dB Typ
6. Common Mode Rejection:
  - 0.1-30MHz: -50 dB Typ
  - 30-60MHz: -40dB Typ
  - 60-100MHz: -35dB Typ
7. Isolation: 1500Vrms
8. Operating Temperature: 0°C ~ 70°C



|        |            |            |   |                     |
|--------|------------|------------|---|---------------------|
| X:X    | ±0.30      | APPD:      | LINK-PP INT'L TECHNOLOGY CO., LIMITED                       |                     |
| X:XX   | ±0.25      | CHKD:      | TITLE: RJ45 Connector With 1000 Base-TX Integrated Magnetic |                     |
| X:XXX  | ±0.05      | DR: TOM    | PART NO.: LPJG16313AENL                                     |                     |
| ANGLES | ±1°        | UNIT: mm   |   |                     |
|        | SCALE: 2/1 | SHEET: 1/2 | REV: A  | DWG NO.: LP10020208 |

