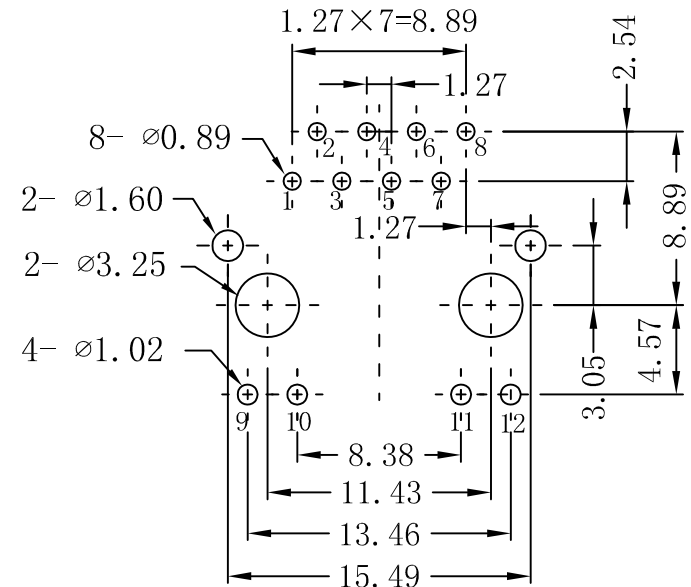
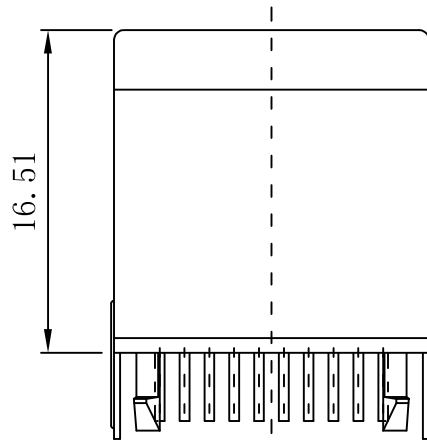
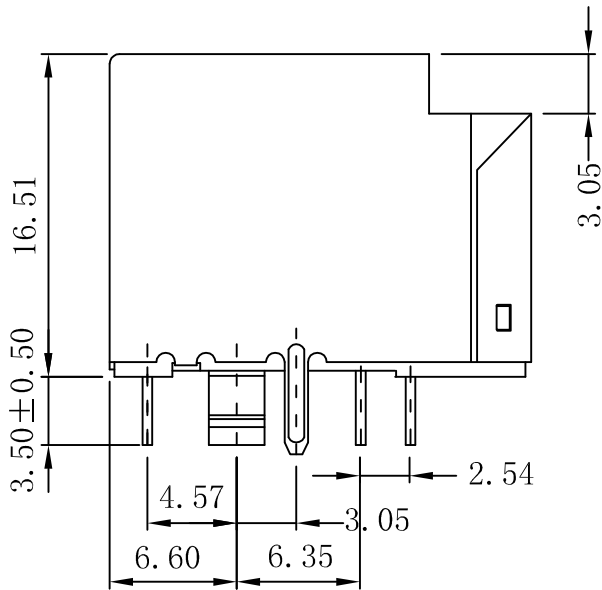


Mechanical :

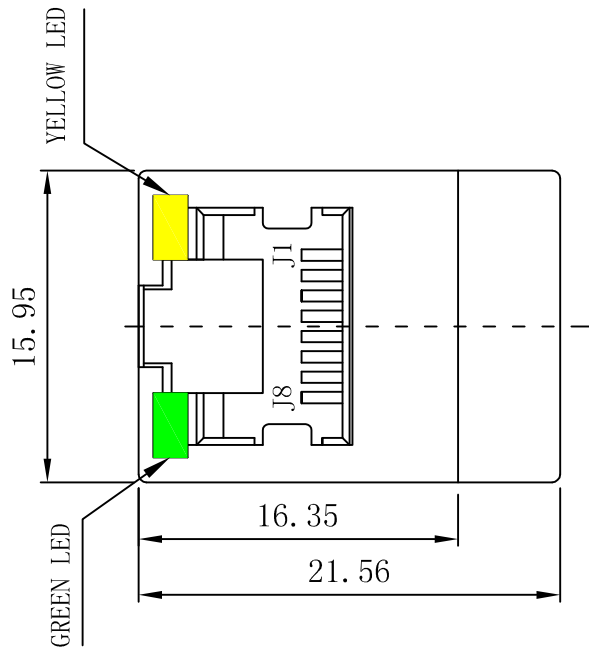
REV.	ECN NO.	DESCRIPTION	DATE	APPD
A	REL		2011/12/08	



SUGGESTED PCB LAYOUT (TOP VIEW)

NOTES:

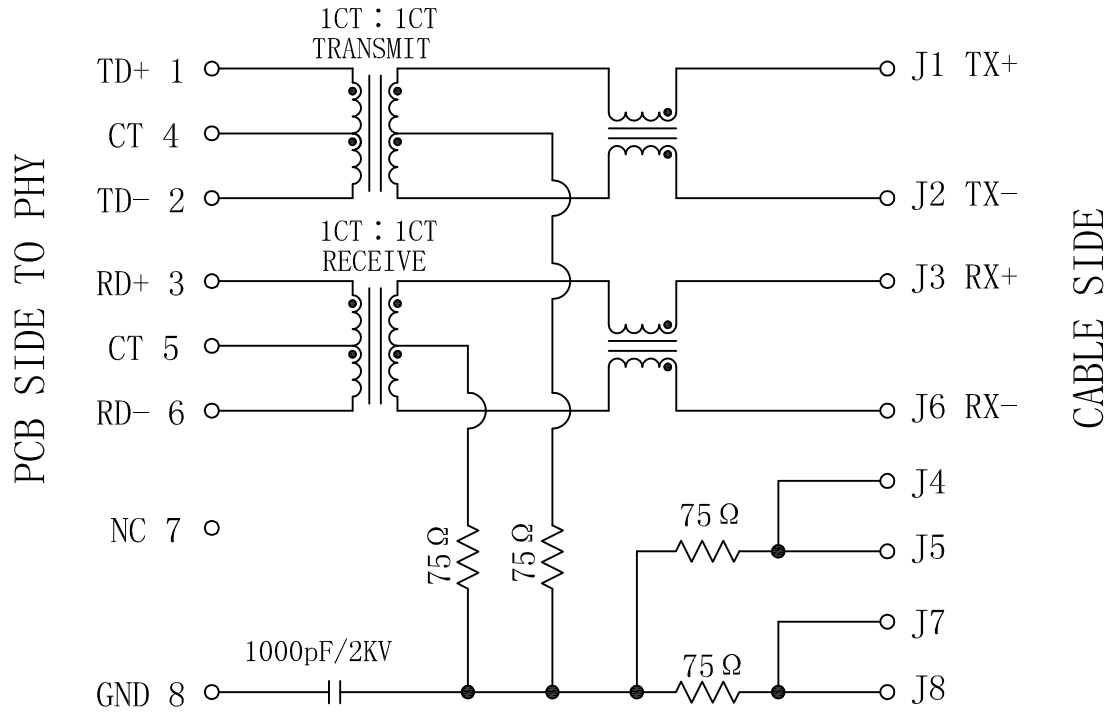
1. Designed to support application, such as SOHO (ADSL modems), LAN-on-Motherboard (LOM), hub and Switches.
2. Meets IEEE 802.3 specification
3. Connector Materials:
 Housing: Thermoplastic UL94V-0
 Contact/Shield: Copper alloy
 Shield plating: Nickel
 Contact plating: Gold 6 micro-inches min. In contact area.
4. Wave solder tip temperature: 260°C
 Wave solder tip temperature time: 5 Sec Max



X:X	±0.20	APPD:		LINK-PP INT'L TECHNOLOGY CO., LIMITED
X:XX	±0.10	CHKD:		
X:XXX	±0.05	DR:	TOM	TITLE: Vertical RJ45 Connector With 10/100 Magnetic
ANGLES	±1°	UNIT:	mm	PART NO.: LPJD5011BENL
	SCALE:	2/1	SHEET:	2/2
	REV:	A	DWG NO.:	LP11120802

Schematic:

REV.	ECN NO.	DESCRIPTION	DATE	APPD
A	REL		2011/12/08	

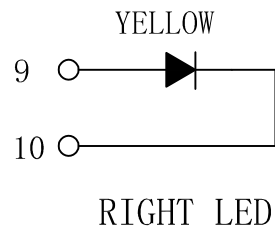
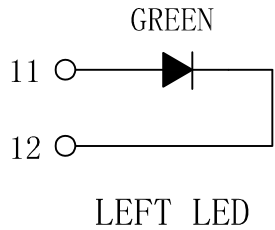


PCB SIDE TO PHY

CABLE SIDE

ELECTRICAL SPECIFICATIONS @25°C

- Turn Ratio($\pm 2\%$):
TX=1CT : 1CT RX=1CT : 1CT
- Inductance OCL: 350uH MIN
@100KHz, 0.1V, 8mA DC Bias
- Insertion Loss:
-1.1dB MAX @ 0.1~100MHz
- Return Loss:
-18dB MIN @ 0.5~30MHz
-15.5dB MIN @ 40MHz
-13.6dB MIN @ 50MHz
-12dB MIN @ 60~80MHz
- Cross talk:
-40dB TYP @ 0.1~100MHz
- Common Mode Rejection:
-50dB TYP @ 0.1~30MHz
-40dB TYP @ 30~60MHz
-35dB TYP @ 60~100MHz
- Hipot Test: 1500Vrms MIN
- Operating Temperature: -40°C~+85°C.



X:X	± 0.20	APPD:	LINK-PP INT'L TECHNOLOGY CO., LIMITED	
X:XX	± 0.10	CHKD:		
X:XXX	± 0.05	DR: TOM	TITLE: Vertical RJ45 Connector With 10/100 Magnetic	
ANGLES	$\pm 1^\circ$	UNIT: mm	PART NO.: LPJD5011BENL	
	SCALE: 2/1	SHEET: 1/2	REV: A	LP11120802