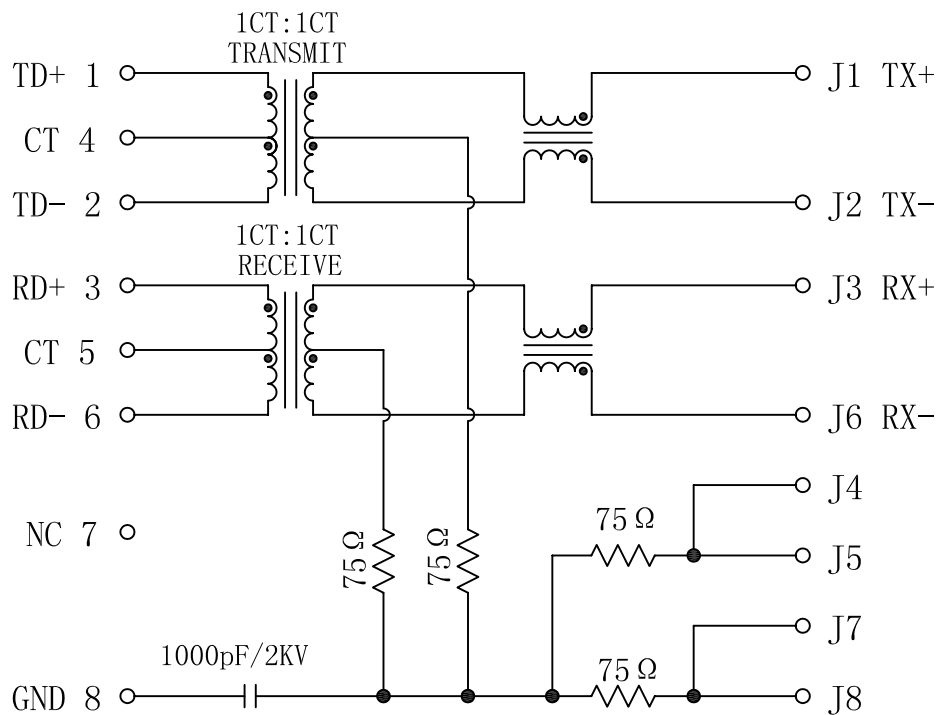


# Schematic:

REV.	ECN NO.	DESCRIPTION	DATE	APPD
A	REL		2011/01/24	

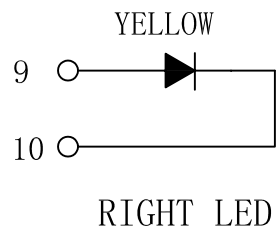
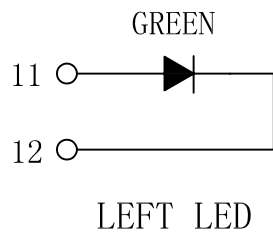
PCB SIDE TO PHY



CABLE SIDE

## ELECTRICAL SPECIFICATIONS @25°C

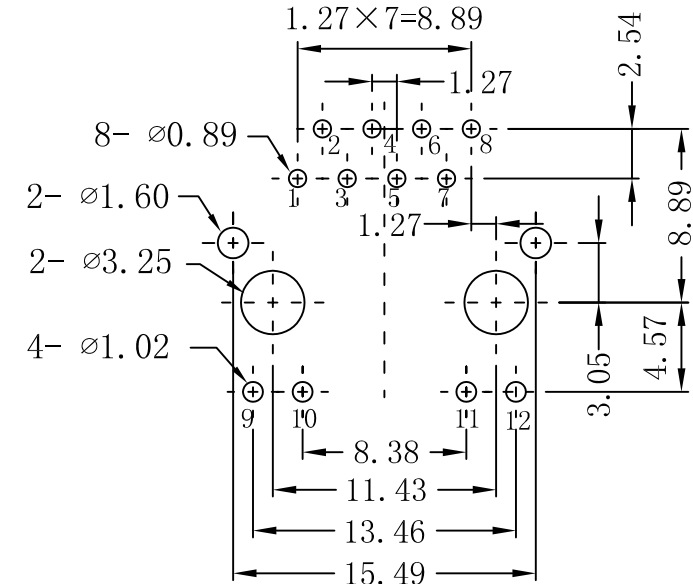
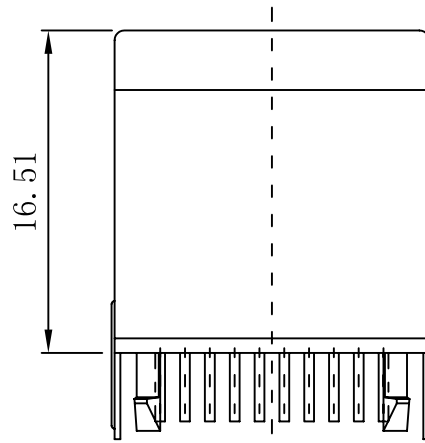
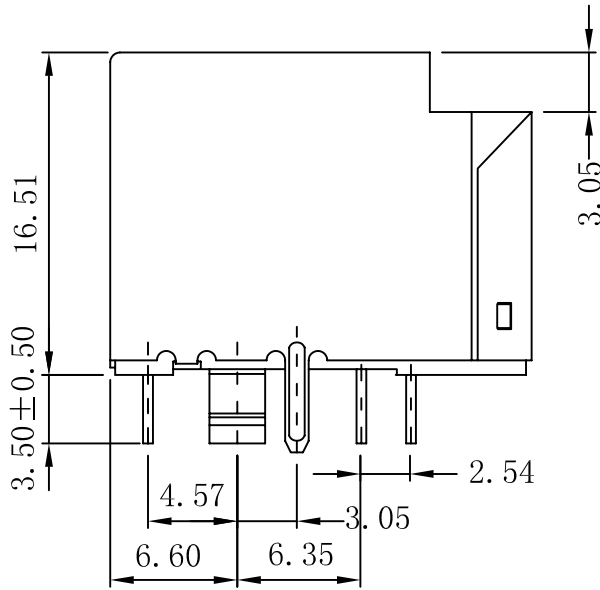
- Turn Ratio ( $\pm 2\%$ ):  
TX=1CT:1CT      RX=1CT:1CT
- Inductance OCL: 350uH MIN  
@100KHz, 0.1V, 8mA DC Bias
- Insertion Loss:  
-1.1dB MAX @ 0.1~100MHz
- Return Loss:  
-18dB MIN @ 0.5~30MHz  
-15.5dB MIN @ 40MHz  
-13.6dB MIN @ 50MHz  
-12dB MIN @ 60~80MHz
- Cross talk:  
-40dB TYP @ 0.1~100MHz
- Common Mode Rejection:  
-50dB TYP @ 0.1~30MHz  
-40dB TYP @ 30~60MHz  
-35dB TYP @ 60~100MHz
- Hipot Test: 1500Vrms MIN
- Operating Temperature: 0°C~70°C.



X:X	±0.20	APPD:	LINK-PP INT'L TECHNOLOGY CO., LIMITED
X:XX	±0.10	CHKD:	
X:XXX	±0.05	DR: TOM	Title: Vertical RJ45 Connector With 10/100 Magnetic
ANGLES	±1°	UNIT: mm	PART NO.: LPJD1011BENL
	SCALE: 2/1	SHEET: 1/2	REV: A
			LP11012408

# Mechanical :

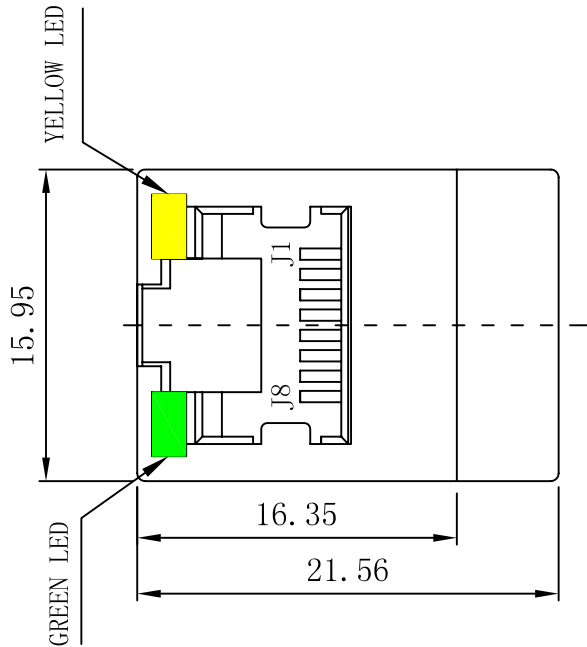
REV.	ECN NO.	DESCRIPTION	DATE	APPD
A	REL		2011/01/24	



SUGGESTED PCB LAYOUT (TOP VIEW)

## NOTES:

1. Designed to support application, such as SOHO (ADSL modems), LAN-on-Motherboard (LOM), hub and Switches.
2. Meets IEEE 802.3 specification
3. Connector Materials:  
 Housing: Thermoplastic UL94V-0  
 Contact/Shield: Copper alloy  
 Shield plating: Nickel  
 Contact plating: Gold 6 micro-inches min. In contact area.
4. Wave solder tip temperature: 260°C  
 Wave solder tip temperature time: 5 Sec Max



X:X	±0.20	APPD:	LINK-PP INT'L TECHNOLOGY CO., LIMITED
X:XX	±0.10	CHKD:	
X:XXX	±0.05	DR: TOM	Title: Vertical RJ45 Connector With 10/100 Magnetic
ANGLES	±1°	UNIT: mm	PART NO.: LPJD1011BENL
	SCALE: 2/1	SHEET: 2/2	REV: A DWG NO.: LP11012408