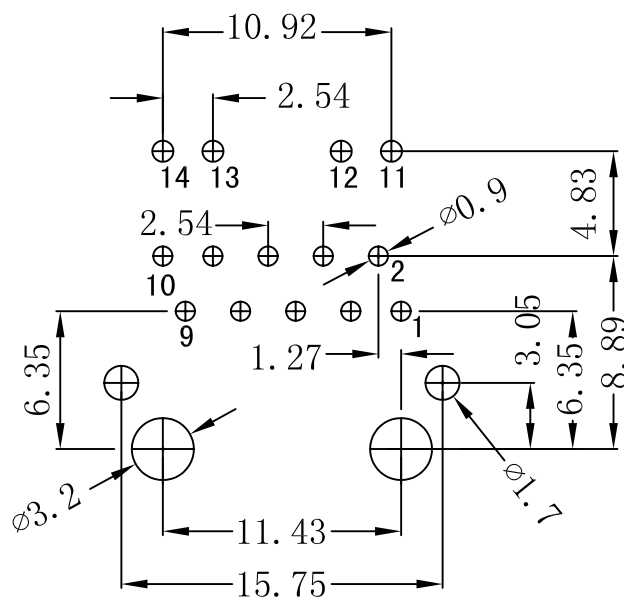
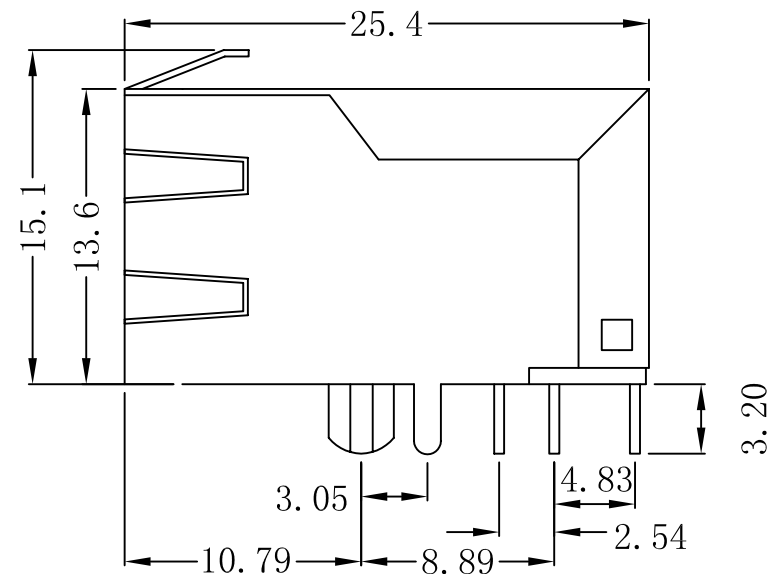
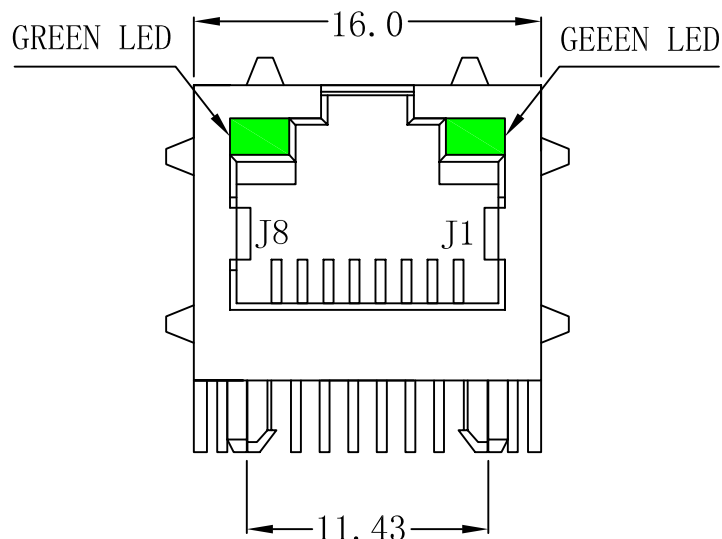


# Mechanical:

REV.	ECN NO.	DESCRIPTION	DATE	APPD
A	REL		2010/06/02	



SUGGESTED PCB LAYOUT (TOP VIEW)



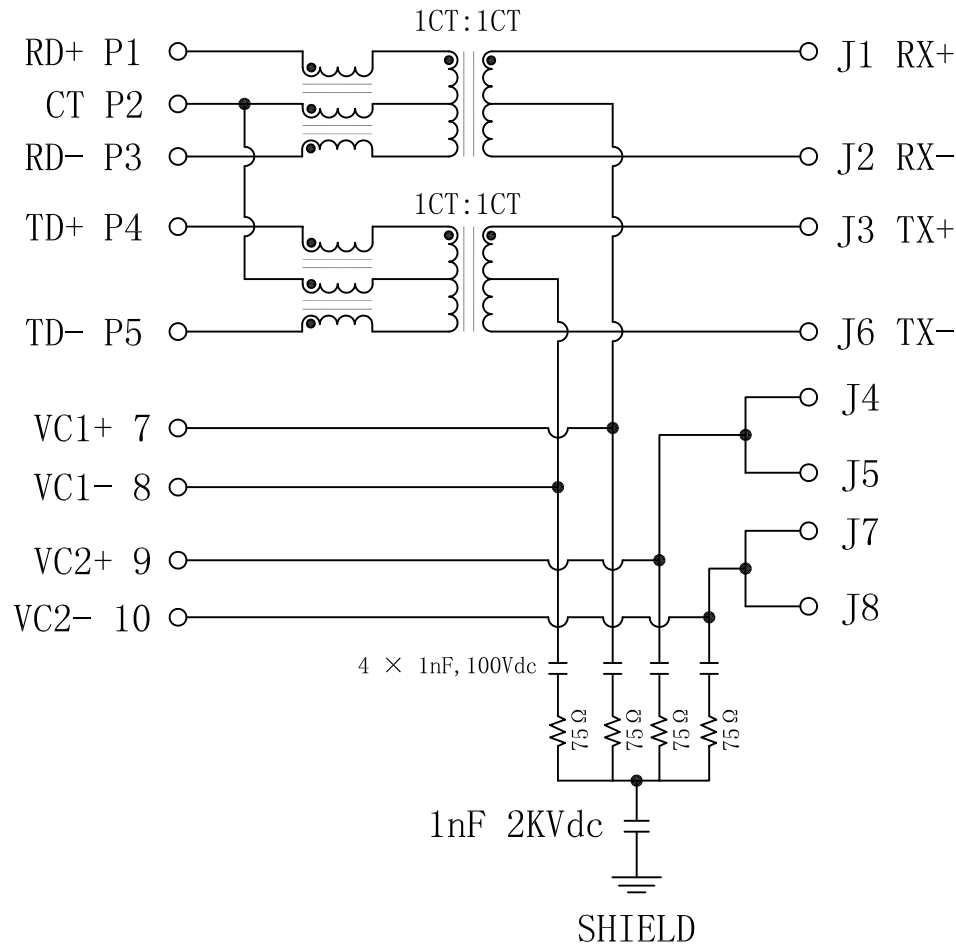
## NOTES:

1. Designed to support application, such as SOHO (ADSL modems), LAN-on-Motherboard (LOM), hub and Switches.
2. Meets IEEE 802.3 specification
3. Connector Materials:  
Housing: Thermoplastic UL94V-0  
Contact/Shield: Copper alloy  
Shield plating: Nickel  
Contact plating: Gold 6 micro-inches min. In contact area.
4. Wave solder tip temperature: 265°C Max  
Wave solder tip temperature time: 5 Sec Max

X:X	±0.20	APPD:	LINK-PP INT'L TECHNOLOGY CO., LIMITED
X:XX	±0.10	CHKD:	
X:XXX	±0.05	DR: TOM	<i>Title:</i> RJ45 Connector With 10/100 Base-TX Integrated Magnetic
ANGLES	±1°	UNIT: mm	PART NO.: LPJ6144AWN
	SCALE: 2/1	SHEET: 1/2	REV: A
			DWG NO.: LP10060209

# Schematic:

REV.	ECN NO.	DESCRIPTION	DATE	APPD
A	REL		2010/06/02	

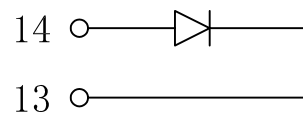


## Electrical Specification @25°C

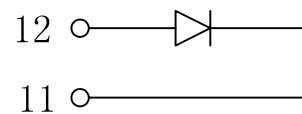
- Turns Ratio ( $\pm 2\%$ ):  
TX=1CT:1CT      RX=1CT:1CT
- Return Loss:  
1~30MHz:-16dB Min  
60~80MHz:-10dB Min
- Crosstalk:  
1~100MHz:-30dB Min
- Insertion Loss:  
1~100MHz: -1.5dB Max
- CM TO CM REJECTION:  
0.1~100MHz:-30dB Min
- OCL (0.1V, 100KHz, 8mA DC Bias):  
350uH Min
- HI-POT TEST: 1500Vrms
- Operating Temperature:  $-20^{\circ}\text{C} \sim +70^{\circ}\text{C}$



GREEN/LEFT LED



GREEN/RIGHT LED



X:X	$\pm 0.20$	APPD:	LINK-PP INT'L TECHNOLOGY CO., LIMITED	
X:XX	$\pm 0.10$	CHKD:	Title: RJ45 Connector With 10/100 Base-TX Integrated Magnetic	
X:XXX	$\pm 0.05$	DR: TOM	PART NO.: LPJ6144AWN	
ANGLES	$\pm 1^{\circ}$	UNIT: mm	PART NO.: LPJ6144AWN	
	SCALE: 2/1	SHEET: 2/2	REV: A	DWG NO.: LP10060209