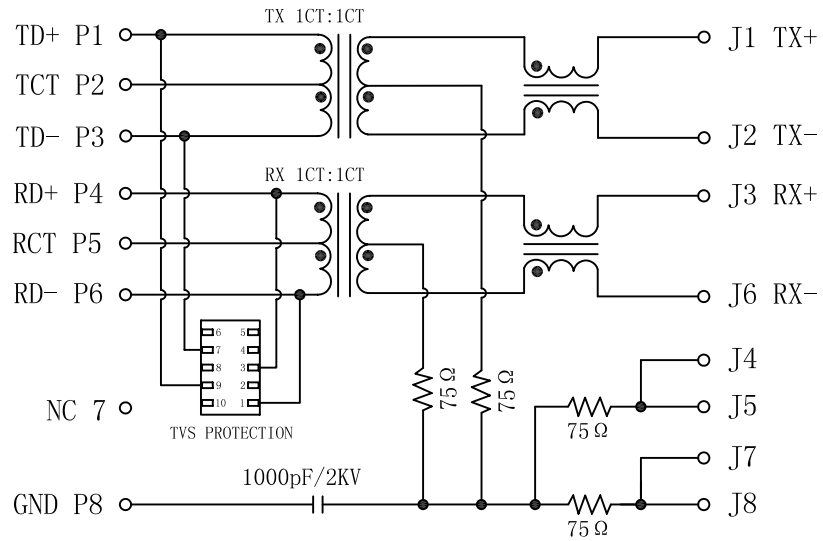


Schematic:

REV.	ECN NO.	DESCRIPTION	DATE	APPD
A	REL		2010/09/27	

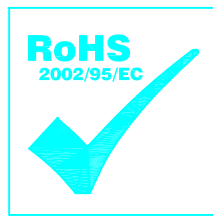
PCB SIDE TO PHY



CABLE SIDE

Electrical Specification @25°C

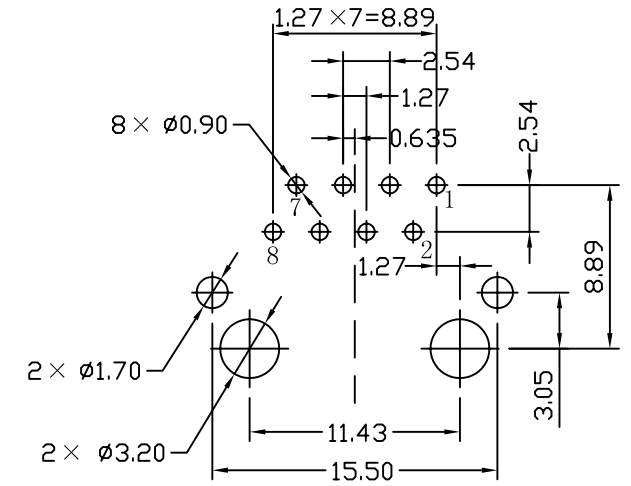
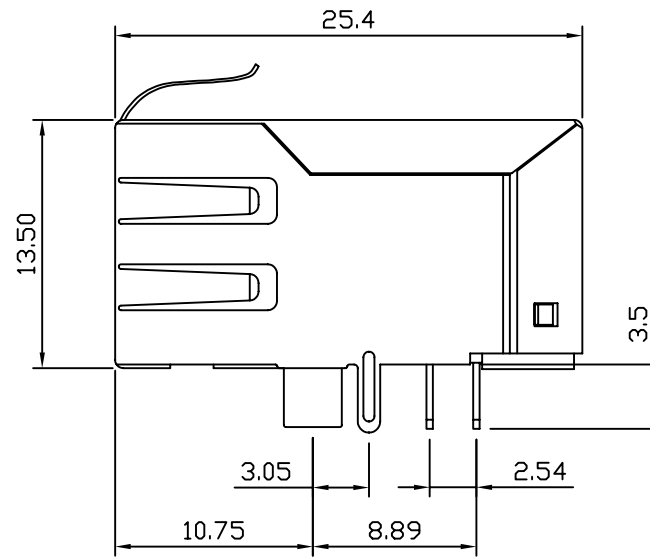
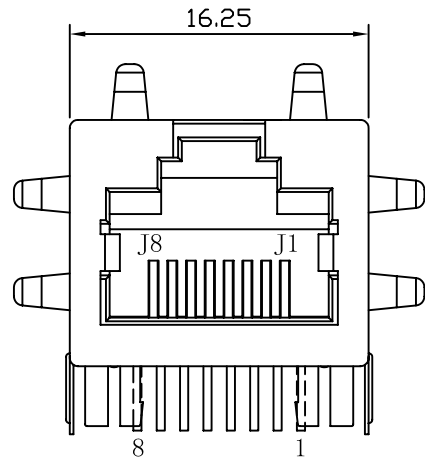
- Turns Ratio ($\pm 3\%$):
TX=1CT:1CT RX=1CT:1CT
- Insertion Loss:
0.1-100MHz:-1.1dB MAX
- Return Loss:
1-30MHz:-18dB MIN
31-80MHz:-12dB MIN
- Cross Talk:
1-100:-30dB MIN
- Common To Common Mode Attenuation:
1-100MHz:-35dB MIN
- Hipot: 1500Vrms
- OCL (100KHz 0.1V 8mA DC Bias):
350uH Min
- Operating Temperature: -40°C ~ +85°C.



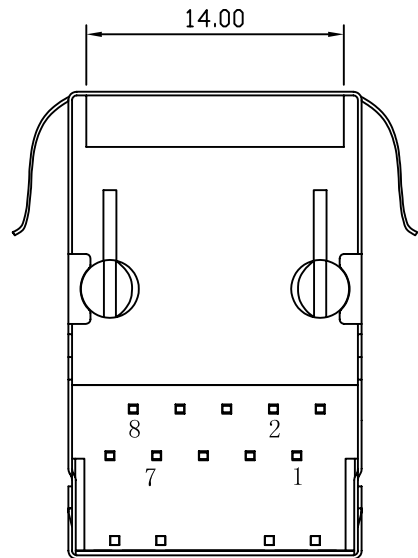
X:X ±0.25	APPD:	LINK-PP INT'L TECHNOLOGY CO., LIMITED
X:XX ±0.20	CHKD:	
X:XXX ±0.05	DR: TOM	TITLE: RJ45 Connector with 10/100 Base-T Integrated Magnetics
ANGLES ±1°	UNIT: mm	PART NO.: LPJ6141CNL
	SCALE: 2/1	SHEET: 1/2
	REV: A	DWG NO.: LP10092703

Mechanical:

REV.	ECN NO.	DESCRIPTION	DATE	APPD
A	REL		2010/09/27	



SUGGESTED PCB LAYOUT (TOP VIEW)



NOTES:

1. Designed to support application, such as SOHO (ADSL modems), LAN-on-Motherboard (LOM), hub and Switches.
2. Meets IEEE 802.3 specification
3. Connector Materials:
 Housing: Thermoplastic UL94V-0
 Contact/Shield: Copper alloy
 Shield plating: Nickel
 Contact plating: Gold 6 micro-inches min. In contact area.
4. Wave solder tip temperature: 265°C Max
 Wave solder tip temperature time: 5 Sec Max



X:X ±0.25	APPD:	LINK-PP INT'L TECHNOLOGY CO., LIMITED
X:XX ±0.20	CHKD:	
X:XXX ±0.05	DR: TOM	TITLE: RJ45 Connector with 10/100 Base-T Integrated Magnetics
ANGLES ±1°	UNIT: mm	PART NO.: LPJ6141CNL
	SCALE: 2/1	SHEET: 2/2
	REV: A	DWG NO.: LP10092703