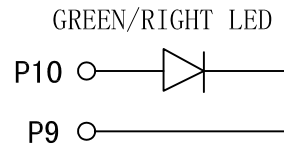
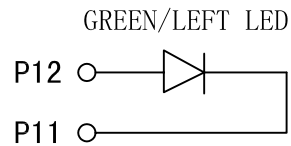
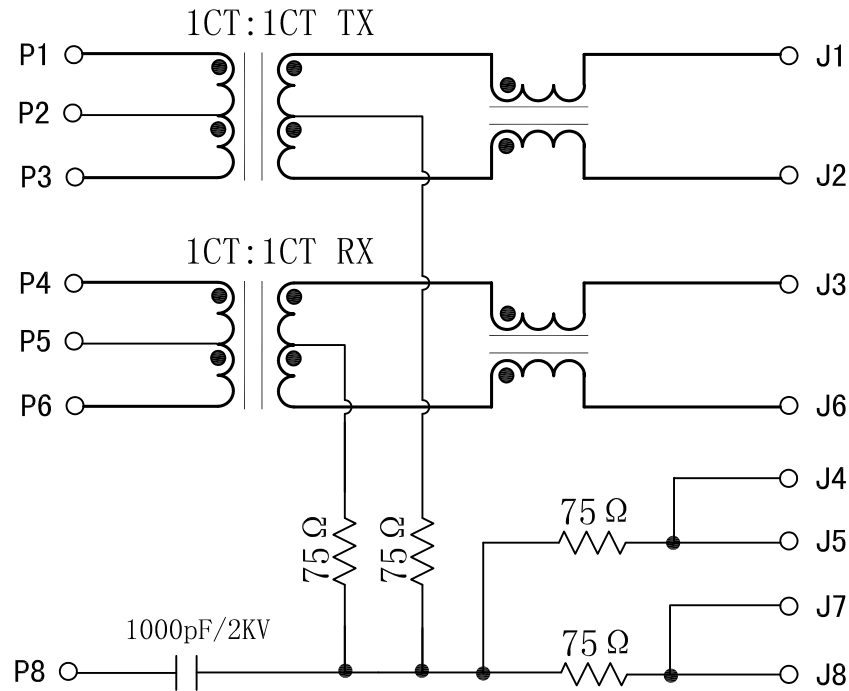


Schematic:

| REV. | ECN NO. | DESCRIPTION | DATE | APPD |
|------|---------|-------------|------------|------|
| A | REL | | 2010/09/25 | |



Electrical Specification:

TEST NOTES (25±5°C)

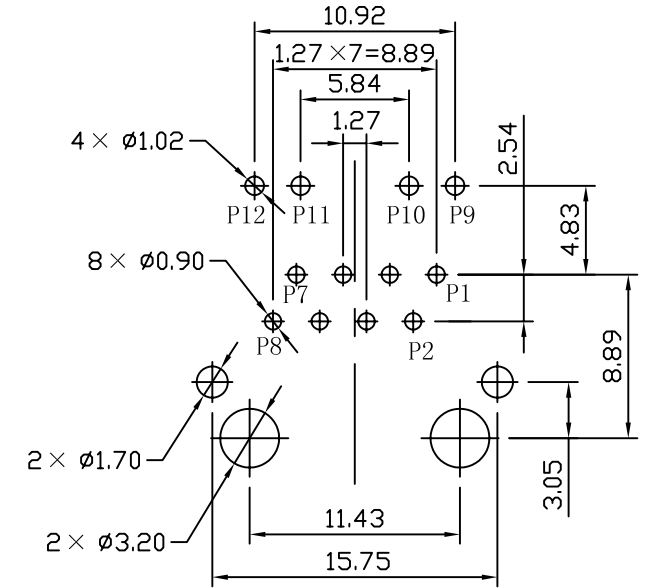
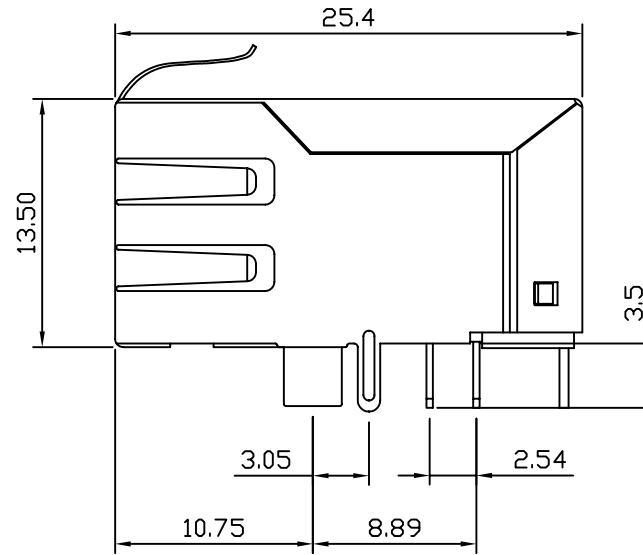
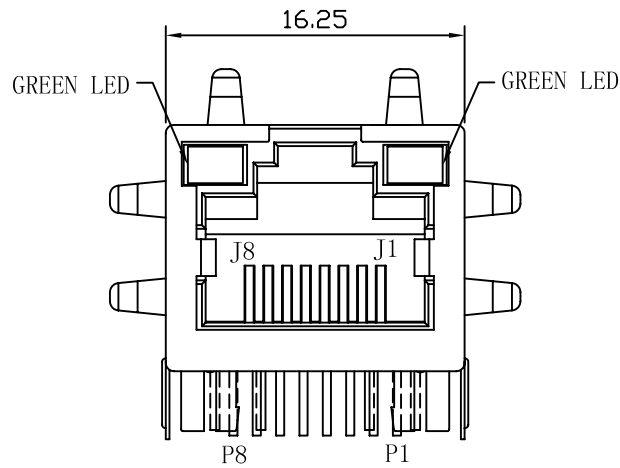
- TR: (100KHz, 100mV);
TX=1CT:1CT±3% RX=1CT:1CT±3%
- LX: (100KHz, 100mV, 8mA, DC Bias)
PINS: (P1, P3), (P4, P6)=350uH MIN
- HIPOT:
PINS (P1, P2, P3) TO (J1, J2)=1500VAC
PINS (P4, P5, P6) TO (J3, J6)=1500VAC
- INSERTION LOSS:
-1.0dB MAX @ 1.0MHz TO 65MHz
- RETURN LOSS:
-20dB MIN @ 1MHz TO 10MHz
-16dB MIN @ 10MHz TO 30MHz
-12dB MIN @ 30MHz TO 60MHz
-10dB MIN @ 60MHz TO 100MHz
- CROSS TALK:
-40dB MIN @ 1MHz TO 30MHz
-35dB MIN @ 30MHz TO 60MHz
-30dB MIN @ 60MHz TO 100MHz
- COMMON TO COMMON MODE REJECTION:
-30dB MIN @ 1MHz TO 50MHz
-20dB MIN @ 50MHz TO 150MHz
- Operating Temperature: -40°C ~ +85°C.



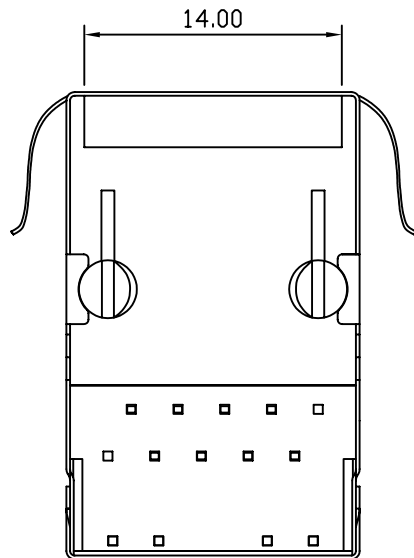
| | | | | |
|-------------|------------|---|--------|--|
| X:X ±0.25 | APPD: | LINK-PP INT'L TECHNOLOGY CO., LIMITED | | |
| X:XX ±0.20 | CHKD: | TITLE: RJ45 Connector with 10/100 Base-T Integrated Magnetics | | |
| X:XXX ±0.05 | DR: TOM | PART NO.: LPJ6014AWN | | |
| ANGLES ±1° | UNIT: mm | DWG NO.: LP10092508 | | |
| | SCALE: 2/1 | SHEET: 2/2 | REV: A | |

Mechanical:

| REV. | ECN NO. | DESCRIPTION | DATE | APPD |
|------|---------|-------------|------------|------|
| A | REL | | 2010/09/25 | |



SUGGESTED PCB LAYOUT(TOP VIEW)



NOTES:

1. Designed to support application, such as SOHO (ADSL modems), LAN-on-Motherboard (LOM), hub and Switches.
2. Meets IEEE 802.3 specification
3. Connector Materials:
 Housing: Thermoplastic UL94V-0
 Contact/Shield: Copper alloy
 Shield plating: Nickel
 Contact plating: Gold 6 micro-inches min. In contact area.
4. Wave solder tip temperature: 265°C Max
 Wave solder tip temperature time: 5 Sec Max



| | | |
|-------------|------------|---|
| X:X ±0.25 | APPD: | LINK-PP INT'L TECHNOLOGY CO., LIMITED |
| X:XX ±0.20 | CHKD: | |
| X:XXX ±0.05 | DR: TOM | TITLE: RJ45 Connector with 10/100 Base-T Integrated Magnetics |
| ANGLES ±1° | UNIT: mm | PART NO.: LPJ6014AWN |
| | SCALE: 2/1 | SHEET: 1/2 |
| | REV: A | DWG NO.: LP10092508 |