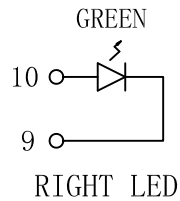
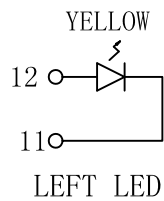
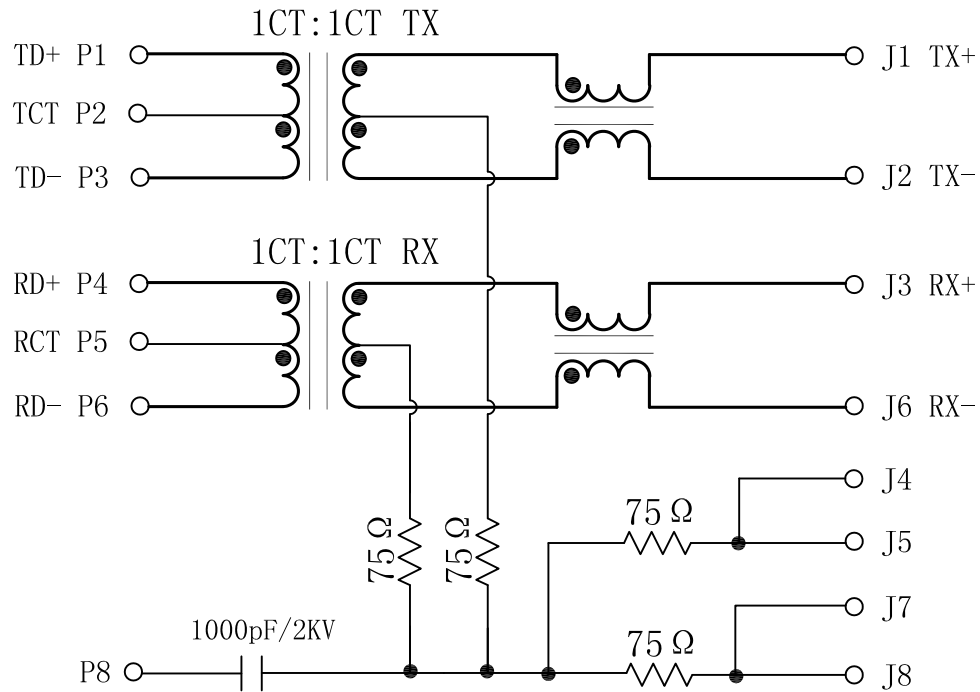


# Schematic:

REV.	ECN NO.	DESCRIPTION	DATE	APPD
A	REL		2010/09/25	



Emitting Color	$\lambda$ p(nm)	V <sub>F</sub> @I <sub>F</sub> =20mA	I <sub>R</sub> @V <sub>R</sub> =5V
Green	570	1.8~2.6V	10 $\mu$ A max
Yellow	585	1.8~2.6V	10 $\mu$ A max



## Electrical Specification:

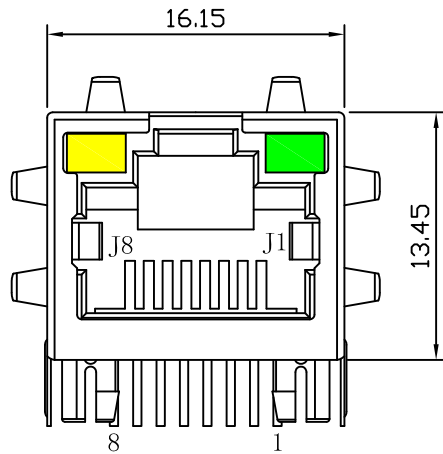
TEST NOTES (25 $\pm$ 5 $^{\circ}$ C)

- TR: (100KHz, 100mV);  
TX=1CT:1CT  $\pm$ 3%      RX=1CT:1CT  $\pm$ 3%
- LX: (100KHz, 100mV, 8mA, DC Bias)  
PINS: (P1, P3), (P4, P6)=350uH MIN
- HIPOT:  
PINS (P1, P2, P3) TO (J1, J2)=1500VAC  
PINS (P4, P5, P6) TO (J3, J6)=1500VAC
- INSERTION LOSS:  
-1.0dB MAX @ 1.0MHz TO 65MHz
- RETURN LOSS:  
-20dB MIN @ 1MHz TO 10MHz  
-16dB MIN @ 10MHz TO 30MHz  
-12dB MIN @ 30MHz TO 60MHz  
-10dB MIN @ 60MHz TO 100MHz
- CROSS TALK:  
-40dB MIN @ 1MHz TO 30MHz  
-35dB MIN @ 30MHz TO 60MHz  
-30dB MIN @ 60MHz TO 100MHz
- COMMON TO COMMON MODE REJECTION:  
-30dB MIN @ 1MHz TO 50MHz  
-20dB MIN @ 50MHz TO 150MHz
- OPERATING TEMPERATURE: -40 $^{\circ}$ C ~ +85 $^{\circ}$ C.

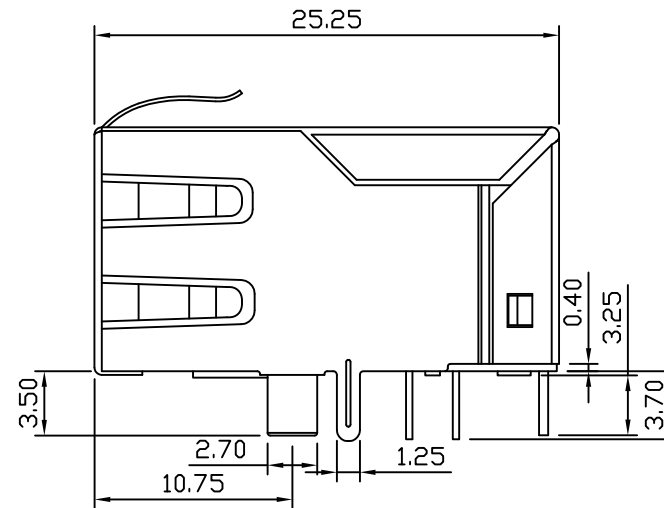
X:X $\pm$ 0.30	APPD:	LINK-PP INT'L TECHNOLOGY CO., LIMITED
X:XX $\pm$ 0.25	CHKD:	
X:XXX $\pm$ 0.05	DR: TOM	TITLE: RJ45 Connector with 10/100 Base-T Integrated Magnetics
ANGLES $\pm$ 1 $^{\circ}$	UNIT: mm	PART NO.: LPJ6014AGNL
	SCALE: 2/1	SHEET: 1/2
	REV: A	DWG NO.: LP10092523

Mechanical:

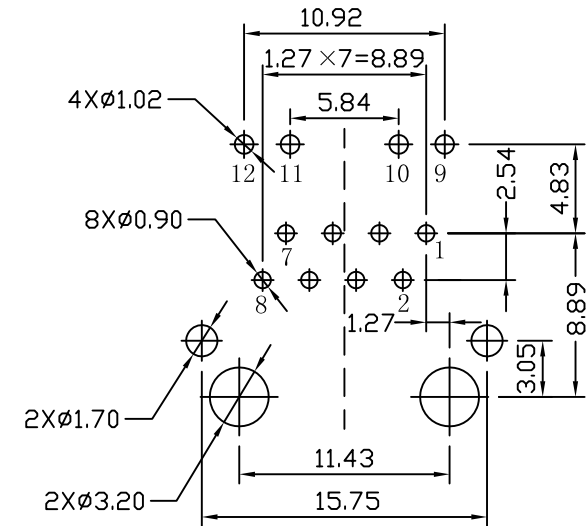
REV.	ECN NO.	DESCRIPTION	DATE	APPD
A	REL		2010/09/25	



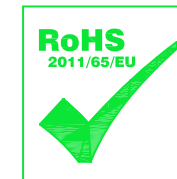
Front Side View



Left Side View

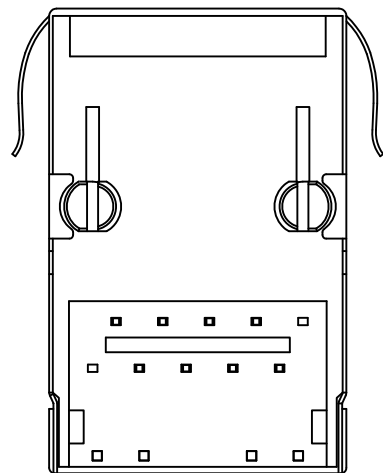


Suggested PCB Layout (Top View)

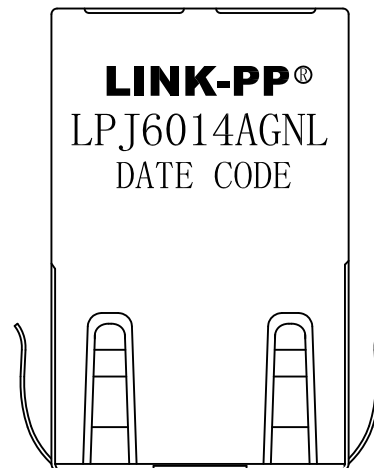


NOTES:

1. Designed to support application, such as SOHO (ADSL modems), LAN-on-Motherboard (LOM), hub and Switches.
2. Meets IEEE 802.3 specification
3. Connector Materials:  
 Housing: Thermoplastic PBT+30%G. F UL94V-0  
 Contact: Phosphor Bronze C5210R-EH Thickness=0.35mm  
 Pins: Brass C2680R-H Thickness=0.35mm  
 Shield: SUS 201-1/2H Thickness=0.2mm  
 Contact plating: Gold 6 micro-inches min. In contact area.
4. Wave solder tip temperature: 265°C Max, 5 Sec Max



Bottom Side View



Top Side View

X:X ±0.30	APPD:	LINK-PP INT'L TECHNOLOGY CO., LIMITED
X:XX ±0.25	CHKD:	
X:XXX ±0.05	DR: TOM	TITLE: RJ45 Connector with 10/100 Base-T Integrated Magnetics
ANGLES ±1°	UNIT: mm	PART NO.: LPJ6014AGNL
	SCALE: 2/1	SHEET: 2/2
	REV: A	DWG NO.: LP10092523