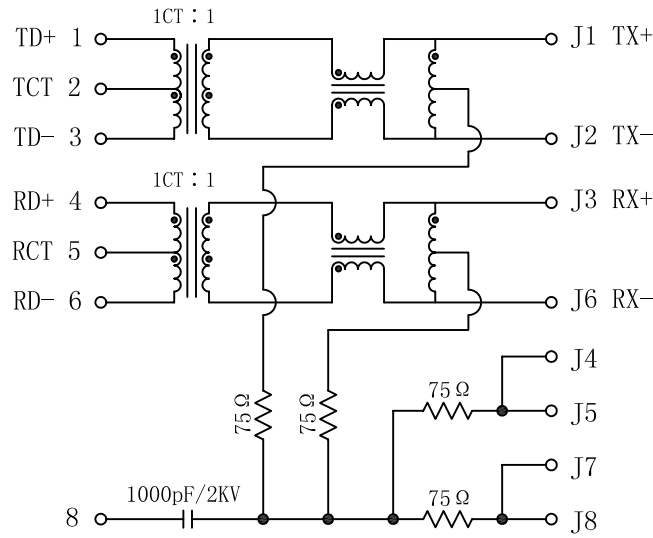


Schematic:

REV.	ECN NO.	DESCRIPTION	DATE	APPD
A	REL		2011/08/17	

SCHEMATIC FOR PORT 1 & 2

PCB SIDE TO PHY



RJ45 SIDE

Electrical Specifications @25°C

- Turns Ratio($\pm 3\%$):
TX=1CT:1 RX=1CT:1
- Inductance (@ 100KHz, 0.1V, 8mA DC BIAS):
350uH MIN
- Insertion Loss:
0.1-100MHz:-1.1dB MAX
- Return Loss:
1-30MHz: -18dB MIN
60-80MHz: -12dB MIN
- Crosstalk:
1-100MHz:-35dB MIN
- Common Mode Rejection Attenuation:
1-100MHz:-35dB MIN
- Hi-Pot(Isolation Voltage):
1500Vrms MIN
- Operating Temperature: 0°C~70°C.



SCHEMATIC FOR PORT 3 & 4

PCB SIDE TO PHY



RJ45 SIDE

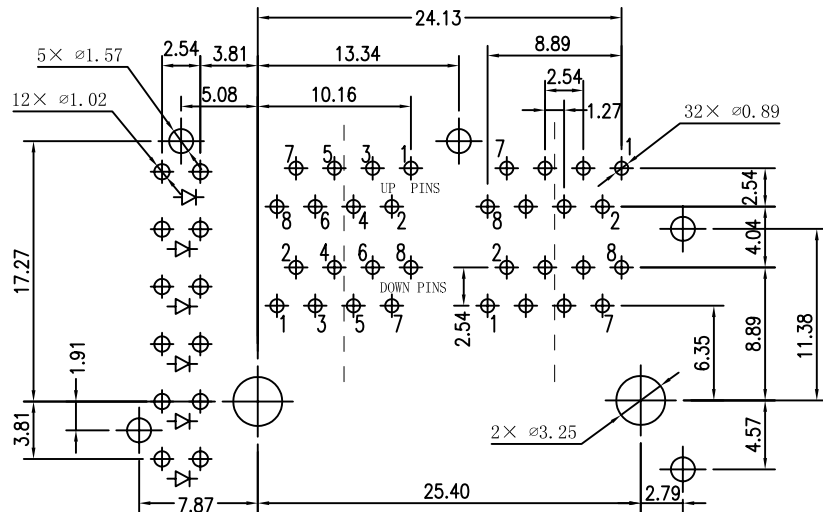
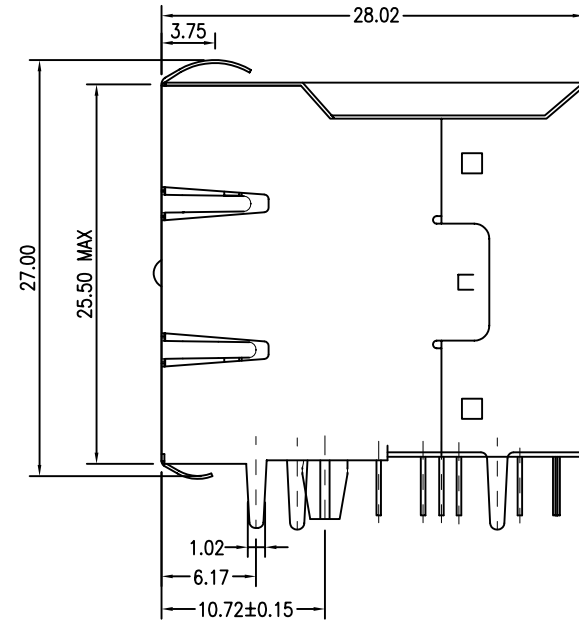
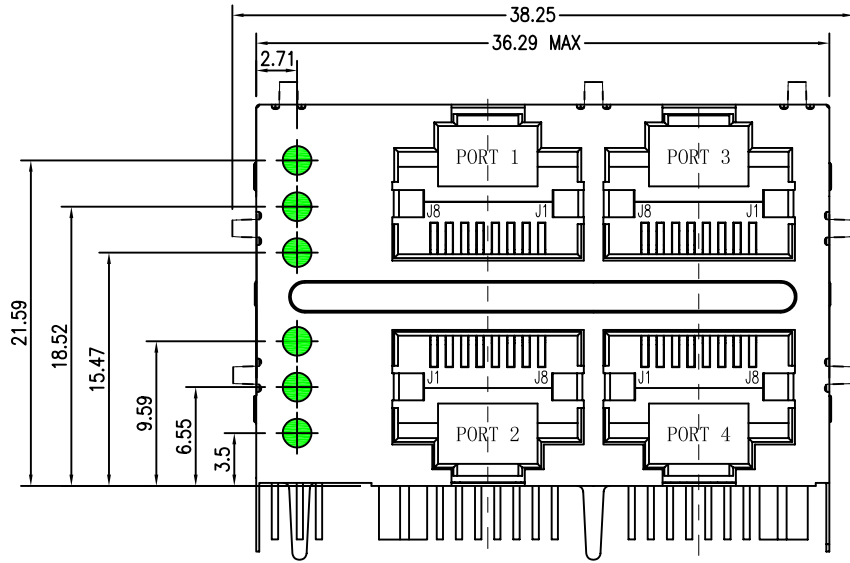
Electrical Specifications @25°C

PIN1 - RJ1, PIN2-RJ2, PIN8-RJ8 SHORTED

X:X	± 0.20	APPD:	LINK-PP INT'L TECHNOLOGY CO., LIMITED	
X:XX	± 0.10	CHKD:	TITLE: RJ45 10/100 Base-T Transformer W/LED 2x2	
X:XXX	± 0.05	DR: TOM	PART NO.: LPJ27892AWN	
ANGLES	$\pm 1^\circ$	UNIT: mm	DWG NO.: LP11081705	
	SCALE: 2/1	SHEET: 1/2	REV: A	

Mechanical:

REV.	ECN NO.	DESCRIPTION	DATE	APPD
A	REL		2011/08/17	



SUGGESTED PCB LAYOUT (TOP VIEW)



NOTES:

1. Designed to support application, such as SOHO (ADSL modems), LAN-on-Motherboard (LOM), hub and Switches.
2. Meets IEEE 802.3 specification
3. Connector Materials:
Housing: Thermoplastic UL94V-0
Contact/Shield: Copper alloy
Shield plating: Nickel
Contact plating: Gold 6 micro-inches min. In contact area.
4. Wave solder tip temperature: 265°C Max
Wave solder tip temperature time: 5 Sec Max

Standard LED Color	LED Wavelength	Forward ¹ (VMAX)	Typical (VTYP)
GREEN	565nm	2.5	2.2

1. With a forward current of 20mA

X:X	±0.20	APPD:	LINK-PP INT'L TECHNOLOGY CO., LIMITED	
X:XX	±0.10	CHKD:	TITLE: RJ45 10/100 Base-T Transformer W/LED 2×2	
X:XXX	±0.05	DR: TOM	PART NO.: LPJ27892AWNL	
ANGLES	±1°	UNIT: mm	DWG NO.: LP11081705	
	SCALE: 2/1	SHEET: 2/2	REV: A	