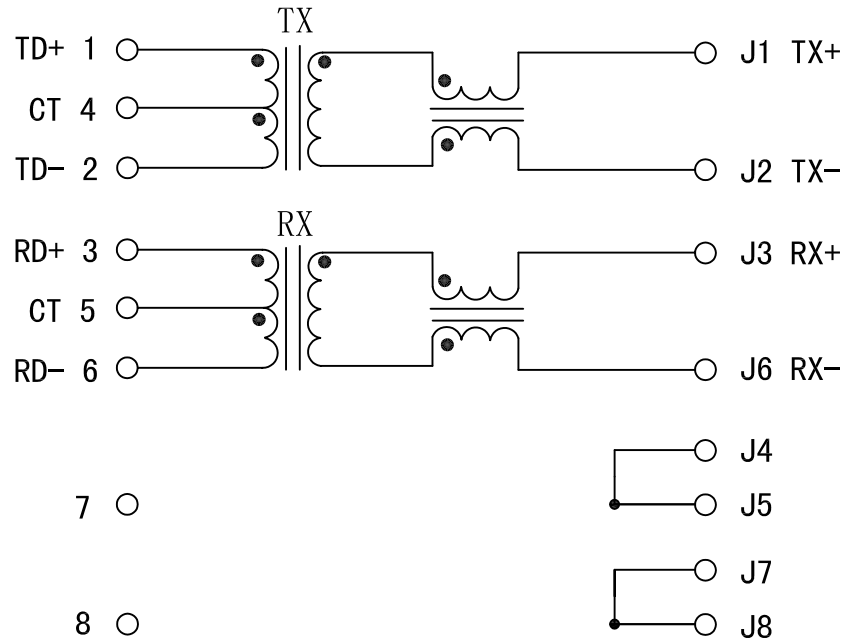


# Schematic :

REV.	ECN NO.	DESCRIPTION	DATE	APPD
A	REL		2010/07/02	

PCB SIDE TO PHY



CABLE SIDE

## Electrical Specifications @25°C

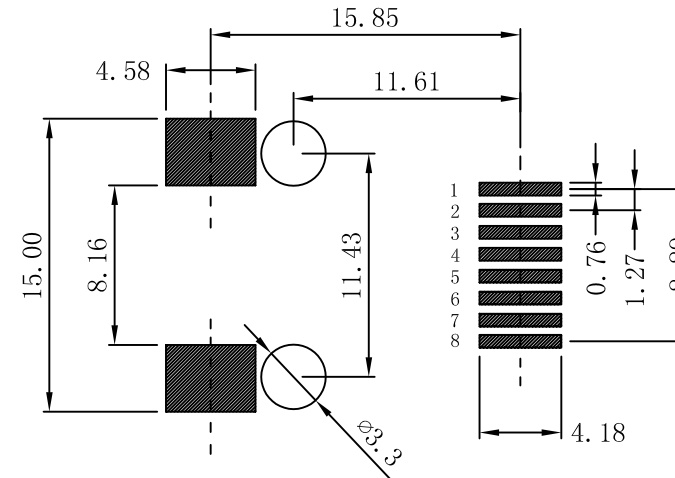
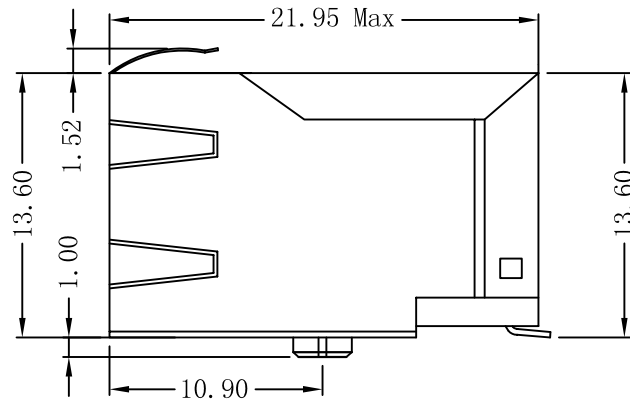
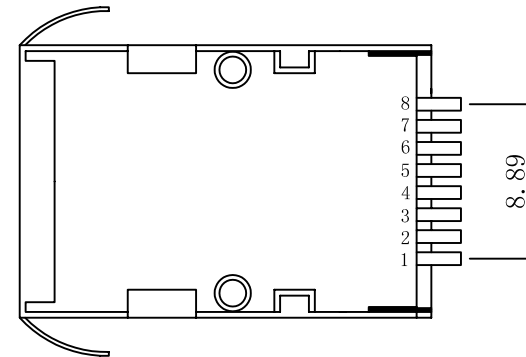
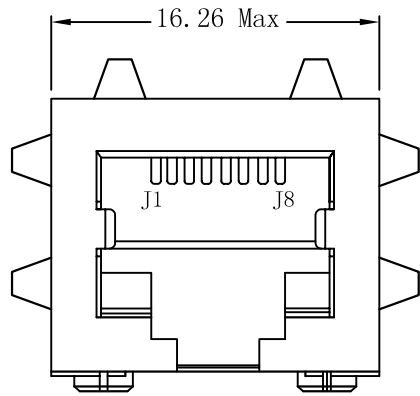
- Turns Ratio:  
TX=1CT : 1      RX=1CT : 1
- Inductance:  
350uH min @100KHz, 0.1V, 8mA
- Insertion Loss:  
1~65MHz:-1.0dB Max
- Return Loss(dB Min @100Ω±15Ω):  
1~10MHz:-18      10~30MHz:-14  
60~80MHz:-10
- Crosstalk(dB Min):  
1~30MHz:-35      30~60MHz:-35  
60~100MHz:-30
- CMR: (dB Min):  
1~50MHz:-20      50~130MHz:-20
- HI-POT:1500Vrms @60Hz 1 MIN
- Operating Temperature: 0°C~70°C.



X:X	±0.20	APPD:	<i>LINK-PP INT'L TECHNOLOGY CO., LIMITED</i>	
X:XX	±0.10	CHKD:		
X:XXX	±0.05	DR: TOM		
ANGLES	±1°	UNIT: mm	PART NO. :	LPJ19113CNL
	SCALE: 2/1	SHEET: 1/2	REV: A	DWG NO. : LP10101508

# Mechanical :

REV.	ECN NO.	DESCRIPTION	DATE	APPD
A	REL		2010/07/02	



SUGGESTED PCB LAYOUT (TOP VIEW)

## NOTES:

1. Designed to support application, such as SOHO (ADSL modems), LAN-on-Motherboard (LOM), hub and Switches.
2. Meets IEEE 802.3 specification
3. Connector Materials:  
Housing: Thermoplastic UL94V-0  
Contact/Shield: Copper alloy  
Shield plating: Nickel  
Contact plating: Gold 6 micro-inches min. in contact area.
4. Wave solder tip temperature: 265°C Max  
Wave solder tip temperature time: 5 Sec Max



X:X	±0.20	APPD:	LINK-PP INT'L TECHNOLOGY CO., LIMITED
X:XX	±0.10	CHKD:	
X:XXX	±0.05	DR: TOM	
ANGLES	±1°	UNIT: mm	Part No.: LPJ19113CNL
	SCALE: 2/1	SHEET: 2/2	REV: A DWG NO.: LP10101508