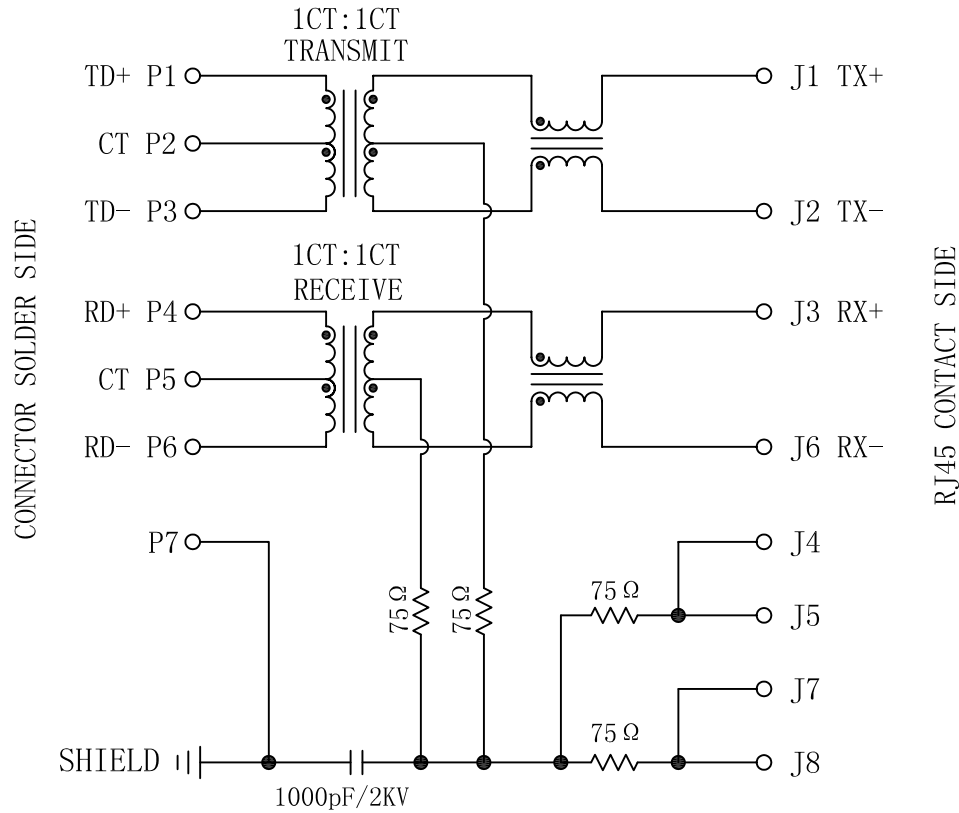


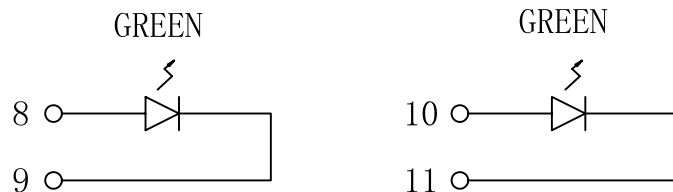
# Schematic:

REV.	ECN NO.	DESCRIPTION	DATE	APPD
A	REL		24/04/2009	



## ELECTRICAL SPECIFICATIONS@25°C

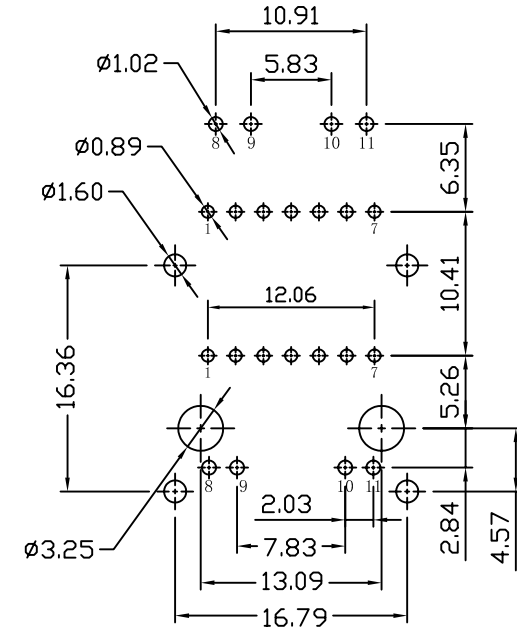
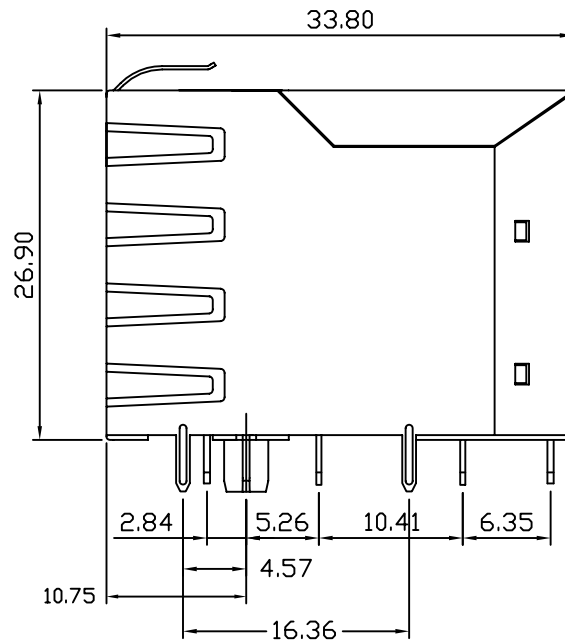
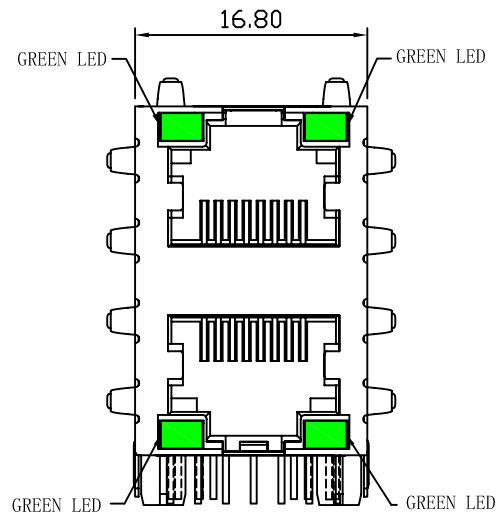
- Turn Ratio( $\pm 3\%$ ):  
TX=1CT : 1CT      RX=1CT : 1CT
- Inductance OCL: 350uH MIN  
@100KHz/0.1V, 8mA DC Bias
- DCR:  
PINS: (J1-J2), (J3-J6)=1.2 OHMS MAX
- Insertion Loss:  
-1.0dB MAX @ 0.3-100MHz
- Return Loss:  
-20dB MIN @ 1-30MHz  
-15dB MIN @ 30-60MHz  
-10dB MIN @ 60-80MHz
- Cross talk:  
-30dB MIN @ 1-100MHz
- Common Mode Rejection:  
-30dB MIN @ 1-100MHz
- Hipot Test: 1500Vrms MIN
- Operating Temperature: -40°C TO +85°C



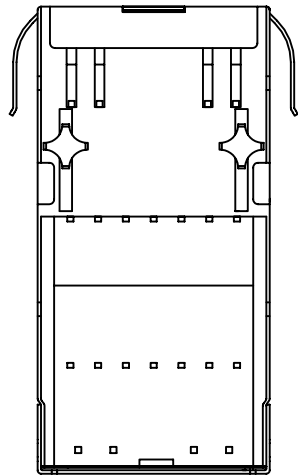
X:X	$\pm 0.30$	APPD:	LINK-PP INT'L TECHNOLOGY CO., LIMITED
X:XX	$\pm 0.20$	CHKD:	
X:XXX	$\pm 0.05$	DR: TOM	TITLE: RJ45 Connector with 10/100 BASE-T Integrated Magnetics
ANGLES	$\pm 1^\circ$	UNIT: mm	PART NO. : LPJ17633AFNL

# Mechanical:

REV.	ECN NO.	DESCRIPTION	DATE	APPD
A	REL		24/04/2009	



SUGGESTED PCB LAYOUT (TOP VIEW)



## NOTES:

1. Designed to support application, such as SOHO (ADSL modems), LAN-on-Motherboard (LOM), hub and Switches.
2. Meets IEEE 802.3 specification
3. Connector Materials:  
 Housing: Thermoplastic UL94V-0  
 Contact/Shield: Copper alloy  
 Shield plating: Nickel  
 Contact plating: Gold 6 micro-inches min. In contact area.
4. Wave solder tip temperature: 260°C  
 Wave solder tip temperature time: 5 Sec Max



X:X	$\pm 0.30$	APPD:	LINK-PP INT'L TECHNOLOGY CO., LIMITED	
X:XX	$\pm 0.20$	CHKD:	TITLE: RJ45 Connector with 10/100 BASE-T Integrated Magnetics	
X:XXX	$\pm 0.05$	DR: TOM	PART NO. : LPJ17633AFNL	
ANGLES	$\pm 1^\circ$	UNIT: mm	DWG NO. : LP09042408	
	SCALE: 2/1	SHEET: 2/2	REV: A	